

**NUR FÜR INTERNEN GEBRAUCH
FOR INTERNAL USE ONLY**

Chassis LM

Cinaro 26

LXW 68-6612 REF GBE8900

Cinaro 32

LXW 82-6612 REF GBE8800

Lenaro 27

LXW 70-7731 IDTV GBF5400/GBF6900
LXW 70-8630 IDTV GBD7400/GBF1900

Lenaro 32

LXW 82-7615 Top GBF1400
LXW 82-7731 IDTV GBF5800/GBF6800
LXW 82-8630 IDTV GBD7500/GBF2000

Sedance 26

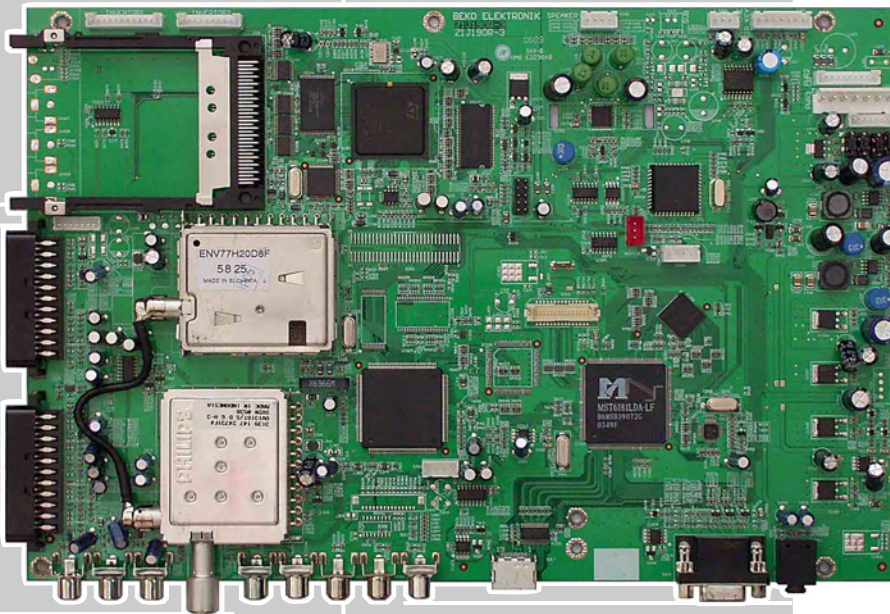
LXW 68-6610 Top GBF1500

Sedance 32

LXW 82-6610 Top GBF1100

32

LXW 82-8600 DL GBF7300



Zusätzlich erforderliche Unterlagen für den Komplettservice
Additionally required Service Documents for the Complete Service

Service Manual

Sicherheit
Safety

Materialnr./Part No.
72010800001

Materialnummer / Part Number 720100513000

Änderungen vorbehalten / Subject to alteration

TCC 1106 MP • Prepared in Germany

<http://www.grundig.com>

Es gelten die Vorschriften und Sicherheitshinweise gemäß dem Service Manual "Sicherheit", Materialnummer 720108000001, sowie zusätzlich die eventuell abweichenden, landesspezifischen Vorschriften!



The regulations and safety instructions shall be valid as provided by the "Safety" Service Manual, part number 720108000001, as well as the respective national deviations.

Inhaltsverzeichnis

	Seite
Allgemeiner Teil	1-3... 1-16
Allgemeine Hinweise	1-3
Geräte- und Display-Varianten	1-3
Technische Daten	1-4
Bedienhinweise	1-8
Service- und Sonderfunktionen	1-14
 Platinenabbildungen und Schaltpläne.....	 2-1...2-30
Netzschalterplatte.....	2-1
Bedieneinheiten.....	2-1
IR/LED-Platten.....	2-1
Buchsenplatten.....	2-2
Kopfhörerplatte.....	2-3
Hauptplatte	2-3
– Übersicht	2-3
– Platinenabbildungen	2-4
– Netzteil.....	2-12
– Prozessor.....	2-14
– Tuner.....	2-15
– PIP-Tuner.....	2-16
– IN/OUT 1.....	2-17
– IN/OUT 2.....	2-18
– Audio-Eingangswahlschalter.....	2-19
– Verstärker.....	2-20
– VCT.....	2-21
– FRC	2-22
– Scaler.....	2-23
– IDTV-Übersicht	2-25
– IDTV-Netzteil.....	2-25
– IDTV DVB-T-Tuner	2-26
– IDTV MPEG/Audio-Video (STi5517).....	2-27
– IDTV-Speicher (STi5517).....	2-28
– IDTV-PIO (STi5517).....	2-29
– IDTV-IN/OUT	2-29
– IDTV Common Interface	2-30
 Ersatzteillisten	 3-1...3-13

Table of Contents

	Page
General Section	3...1-16
General Notes	1-3
Product and Display Variants.....	1-3
Technical Data	1-4
Operating Hints.....	1-11
Service and Special Functions	1-14
 Layout of the PCBs and Circuit Diagrams	 2-1...2-30
Power Switch Board	2-1
Keyboard Control Units.....	2-1
IR/LED Boards.....	2-1
Socket Boards	2-2
Headphone Boards.....	2-3
Main Board	2-3
– Overview	2-3
– Layout of the PCB	2-4
– Power Supply.....	2-12
– Processor.....	2-14
– Tuner.....	2-15
– PIP Tuner	2-16
– IN/OUT 1.....	2-17
– IN/OUT 2.....	2-18
– Audio Input Select Switch	2-19
– Amplifier.....	2-20
– VCT.....	2-21
– FRC	2-22
– Scaler.....	2-23
– IDTV Overview.....	2-25
– IDTV Power Supply.....	2-25
– IDTV DVB-T Tuner	2-26
– IDTV MPEG/Audio Video (STi5517)	2-27
– IDTV Memory (STi5517).....	2-28
– IDTV PIO (STi5517).....	2-29
– IDTV IN/OUT	2-29
– IDTV Common Interface	2-30
 Spare Parts Lists	 3-1...3-13

Allgemeiner Teil

Allgemeine Hinweise

Vor dem Öffnen des Gehäuses den Netzstecker ziehen!

Achtung: ESD-Vorschriften beachten ⚡

Leitungsverlegung

Bevor Sie die Leitungen und insbesondere die Masseleitungen lösen, muss die Leitungsverlegung zu den einzelnen Baugruppen beachtet werden.

Nach erfolgter Reparatur ist es notwendig, die Leitungsführung wieder in den werkseitigen Zustand zu versetzen um evtl. spätere Ausfälle oder Störungen zu vermeiden.

Durchführen von Messungen

Bei Messungen mit dem Oszilloskop an Halbleitern sollten Sie nur Tastköpfe mit 10:1 -Teiler verwenden. Außerdem ist zu beachten, dass nach vorheriger Messung mit AC-Kopplung der Koppelkondensator des Oszilloskops aufgeladen sein kann. Durch die Entladung über das Messobjekt können Bauteile beschädigt werden.

Messwerte und Oszillogramme

Bei den in den Schaltplänen und Oszillogrammen angegebenen Messwerten handelt es sich um Näherungswerte!

Geräte- und Display-Varianten

Je nach Verfügbarkeit werden Displays verschiedener Hersteller eingebaut. Dies führt zu unterschiedlichen Chassis-Bestückungen, sowie zu Änderungen in der Software. Bei Ersatzteilbestellungen und Software-Updates achten Sie bitte auf das eingebaute Display, sowie auf den "Product Code". Angaben dazu finden Sie auf der Geräterückseite. Sollte in der Ersatzteilliste des Service Manuals Ihr "Product Code" oder Ihre Display-Variante nicht aufgeführt sein, können Sie eine aktualisierte Version auf dem GRUNDIG Service-Portal "<http://service.grundig.de>" finden.

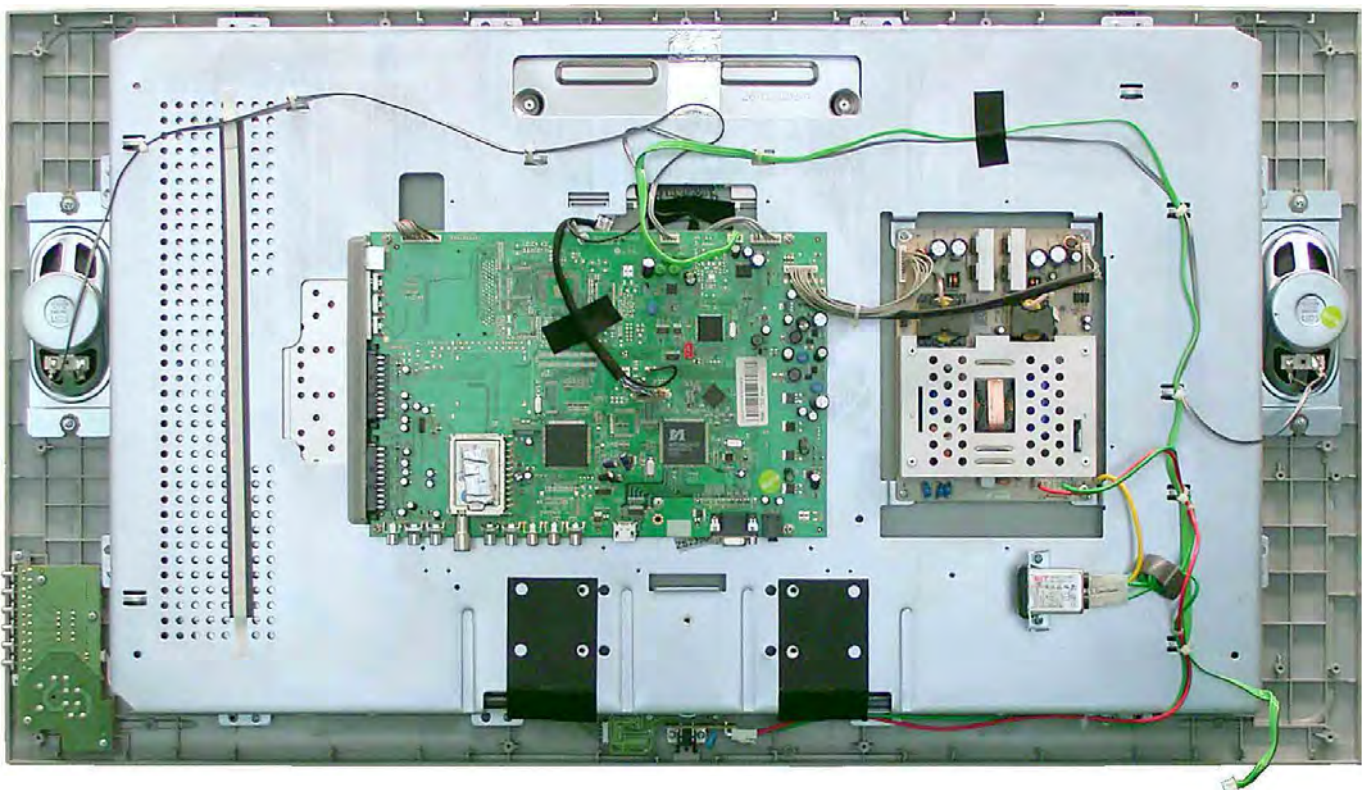
Überprüfen Sie vor Austausch der Hauptplatte, ob die Aufkleber der Platinen identisch sind.



Product and Display Variants

Depending on availability displays of different manufacturer are built in. This results in different chassis mountings as well as a different software. On spare parts orders as well as software updates take care of the fitted display as well as of the "Product Code". Therefore you can find information on the labels on the rear side. If your "Product Code" or display variant is not mentioned in the spare parts list of the service manual, please look for a current version at the GRUNDIG service portal "<http://service.grundig.de>".

Before changing the main board please check whether the labels on the boards are identical.



General Section

General Notes

Before opening the cabinet disconnect the mains plug!

Attention: Observe the ESD safety regulations ⚡

Wiring

Before disconnecting any leads and especially the earth connecting leads observe the way they are routed to the individual assemblies. On completion of the repairs the leads must be laid out as originally fitted at the factory to avoid later failures or disturbances.

Carrying out Measurements

When making measurements on semi-conductors with an oscilloscope, ensure that the test probe is set to 10:1 dividing factor. If the previous measurement was made on AC input, please note that the coupling capacitor in the oscilloscope will be charged. Discharge via the item being checked can damage the components.

Measured Values and Oscillograms

The measured values given in the circuit diagrams and oscillograms are approximates!

Technische Daten / Technical Data

	Cinaro 26 LXW 68-6612 REF	Cinaro 32 LXW 82-6612 REF	Lenaro 27 LXW 70-7731 IDTV	Lenaro 27 LXW 70-8630 IDTV	Lenaro 32 LXW 82-7615 TOP
Order No.	G.BE 89-00	G.BE 88-00	G.BF 54-00 / G.BF 69-00	G.BD 74-00 / G.BF 19-00	G.BF 14-00
Product Code	M9D	M9K	BBT	AHW / ASR	ALD
Destination	D,F,I,S,E,P,PL	D,F,I,S,E,P,PL	F,DK,N,S,FIN / D,I,E,CZ	D,E,CZ / F,DK,N,S,FIN	E
Approbations	CE,I	CE,I,ME67	CE / CE,I	CE	CE
IM-Languages	D, CH, I, F, E, P, Nordic, PL, SI, ROW	D, CH, I, F, E, P, Nordic, CIS, SI, ROW	F, Nordic / D, I, E, CZ	D, E, CZ / F, Nordic	E
Remote control	TP 170 C	TP 170 C	TP 170 C (black)	TP 170 C	TP 170 C (black)
EAN	40 13833-60593 5	40 13833-60592 8	40 13833-60914 8 40 13833-60951 3	40 13833-60155 5 40 13833-60792 2	40 13833-60787 8
visible	26" / 66cm	32" / 81cm	27" / 70cm	27" / 70cm	32" / 81cm
Color	mystic black/silver	mystic black/silver	black	silver/black	black/silver
DISPLAY					
Panel	26" / 66cm Active Matrix TFT-LC-Display	32" / 81cm Active Matrix TFT-LC-Display	27" / 70cm Active Matrix TFT-LC-Display Samsung, AUO	27" / 70cm Active Matrix TFT-LC-Display Samsung, AUO	32" / 81cm Active Matrix TFT-LC-Display AUO; CHIMEI
Display-Manufacturer	AUO	AUO	Samsung, AUO	Samsung, AUO	AUO; CHIMEI
16:9 wide-screen format	●	●	●	●	●
Response time	ca. 8ms	ca. 8ms	ca. 6,5ms	ca. 6,5ms	ca. 8ms
Brightness	ca. 500cd/m2	ca. 500cd/m2	ca. 550cd/m2	ca. 550cd/m2	AOU: ca. 500ms; Chimei: ca. 550ms
Contrast ratio (Panel)	ca. 800:1	ca. 800:1	ca. 1.200:1	ca. 1.200:1	AOU: ca. 800:1; CHIMEI: ca. 1.000:1
Viewing angle ca.	176° vertical / horizontal	170° vertical / horizontal	176° vertical / horizontal	176° vertical / horizontal	AOU: 170° vertical / horizontal; Chimei: 176° vertical / horizontal
Physical display resolution max. pixel	WXGA 1366 x 768	WXGA 1366 x 768	WXGA 1366 x 768	WXGA 1366 x 768	WXGA 1366 x 768
PICTURE					
Reference Plus	●	●	●	●	●
Motion Compensation	○	○	○	○	○
Motion Adaptive Deinterlacing	●	●	●	●	●
Line Flicker Reduction	●	●	●	●	●
Digital Color Transition Improv. (DCTI)	●	●	●	●	●
Digital Combfiter	● (2D)	● (2D)	● (2D)	● (2D)	● (2D)
Digital Luminance Transition Improv. (DLTI)	●	●	●	●	●
Picture Noise Reduction (DNR)	●	●	●	●	●
CCS (Clear Color Screen)	○	○	○	○	○
Preset picture modes	user, natural, rich, soft	user, natural, rich, soft	user, natural, rich, soft	user, natural, rich, soft	user, natural, rich, soft
Aspect ratios (Format switching)	Auto WSS (HF + Scart), 4:3 / 16:9 / 14:9 / L.box / SubT / Panorama				
Blackline detection	running change form 08.2006 onwards				
PIP	1-Tuner PIP	1-Tuner PIP	1-Tuner PIP	1-Tuner PIP	1-Tuner PIP
Multifold Tuner scan (Mosaic Picture)	○	○	○	○	○
PAT: Split screen (PICTURE + TEXT)	○	○	○	○	○
PAP: Double Window (PICTURE + PICTURE)	via AV	via AV	via AV	via AV	via AV
P2AT: Double Window + TXT	○	○	○	○	○
POP: PICTURE on PICTURE	○	○	○	○	○
Picture freezing	●	●	●	●	●
Zoom with point function	Zoom by Scan button	Zoom by Scan button	Zoom by Scan button	Zoom by Scan button	Zoom by Scan button
Auto 16:9 selection via Scart	●	●	●	●	●
Sharpness control	●	●	●	●	●
Blue Background	●	●	●	●	●
CHASSIS					
TV-Chassis	LM	LM	LM	LM	LM
Progressive	●	●	●	●	●
Tuner	PLL frequency synthesizer tuning				
µ-Processor	VCT-I	VCT-I	VCT-I	VCT-I	VCT-I
Scaler	MSTAR	MSTAR	MSTAR	MSTAR	MSTAR
Keyboard	6 keys: menue, source, ± for programme, ± for volume	6 keys: menue, source, ± for programme, ± for volume	6 keys: menue, source, ± for programme, ± for volume	6 keys: menue, source, ± for programme, ± for volume	6 keys: menue, source, ± for programme, ± for volume
ELECTRONIC					
Stand by indicator	red LED	red LED	blue LED	blue LED	blue LED
EPG (Electronic Programme Guide)	○	○	○	○	○
Easy Dialog	○	○	○	○	○
Megalogic	○	○	○	○	○
Manual & autom. labeling of prog.	●	●	●	●	●
Programmable off timer	●	●	●	●	●
Programmable on timer	○	○	○	○	○
Intelligent channel search (Zapping funct.)	●	●	●	●	●
Programme Edit	○	○	○	○	○
Intelligent Programme Switch	○	○	○	○	○
Auto switch off	stand-by	stand-by	stand-by	stand-by	stand-by
Programme memory TV/AV (opt.)	100 / (3 AV, SVHS, HDMI, PC, YUV)	100 / (3 AV, SVHS, HDMI, PC, YUV)	100 / (3 AV, SVHS, HDMI, PC, YUV)	100 / (3 AV, SVHS, HDMI, PC, YUV)	100 / (3 AV, SVHS, HDMI, PC, YUV)
Teletext/Fasttext/Toptext	● / ● / ●	● / ● / ●	● / ● / ●	● / ● / ●	● / ● / ●
Teletext options	12 pages	12 pages	250 pages	12 pages	12 pages
Childlock	●	●	●	●	●
Menue languages OSD	26 languages, D, GB, F, I, E, P, NL, HR, RUS, GR, DK, S, FIN, N, TR, PL, CZ, SK, SLO, H, RO, BG, SER, HEB, ALB, MKD				
Service mode	●	●	●	●	●
Hotel mode	Simple hotel mode possible via service adjustment				
TUNING					
Autom. Tuning System with country selection	full automatic sorting	full automatic sorting	full automatic sorting	full automatic sorting	full automatic sorting
Frequency Based Auto Search	●	●	●	●	●
Automatic Micro-search	○	○	○	○	○
Automatic Programming	○	○	○	○	○
Manual fine tuning	●	●	●	●	●
Direct channel selection	●	●	●	●	●
Direct frequency selection	○	○	○	○	○
PAL/SECAM/BG/DK/I/L/L	●	●	●	●	●
NTSC-Playback via Scart (3,58/4,43)	●	●	●	●	●
PAL M/N, NTSC M	●, NTSC M only via Scart	●, NTSC M only via Scart	○	○	●, NTSC M only via Scart
Cable TV / Hyperband (S1-S41)	●	●	●	●	●
AUDIO					
Mono/Stereo/Nicam	● / ● / ●	● / ● / ●	● / ● / ●	● / ● / ●	● / ● / ●
AV Stereo	●	●	●	●	●
Loudspeaker	2 wide band at the front side	2 wide band at the front side	2 wide band at the front side	2 wide band at the front side	2 wide band at the front side
Virtual Dolby	○	○	○	○	○
Magic Fidelity Sound System	○	○	○	○	○
Matched Sound Delay (Lip synchronous)	○	○	○	○	○
Subwoofer	○	○	○	○	○
Dynamic Bass	●	●	●	●	●
DSP (Digital Sound Processor)	●	●	●	●	●
Balance Adjustment	●	●	●	●	●
AVL (Audio Volume Level)	●	●	●	●	●
PIP listening via Headphone.jack	○	○	○	○	○
Equalizer	5 Band	5 Band	5 Band	5 Band	5 Band
Space Sound Effect	●	●	●	●	●
Audio mode	cinema, music, sport, speech, user				
Audio amplifier	2 x 7 / 14W (nominal/music)	2 x 7 / 14W (nominal/music)	2 x 7 / 14W (nominal/music)	2 x 7 / 14W (nominal/music)	2 x 7 / 14W (nominal/music)

	Cinaro 26 LXW 68-6612 REF	Cinaro 32 LXW 82-6612 REF	Lenaro 27 LXW 70-7731 IDTV	Lenaro 27 LXW 70-8630 IDTV	Lenaro 32 LXW 82-7615 TOP
DVB reception					
DVB-T/S/C	Retrofitting possible via Scart socket DVB-T: DTR 1560 Micro, DVB-S: DSR 1650 Micro, DVB-C: DCB1680 Micro				
German TV-Plattform conformance logo	○	○	EN 300 744 & revised NorDig II spec (regarding DVB-T front end performance)		○
Automatic/manual channel search	○	○	ATS type sorting	ATS / LCN type sorting	○
EPG (SI based)	○	○	●	●	○
- 7 Day Electronic Programme Guide	○	○	●	●	○
- now/next	○	○	●	●	○
- scheduled	○	○	If broadcasted	If broadcasted	○
- Extended Event Info	○	○	If broadcasted	If broadcasted	○
- Short Event Info	○	○	If broadcasted	If broadcasted	○
TV/Radio programmes	○	○	899	899	○
OSD languages	○	○	24 Languages	24 Languages	○
Parental control	○	○	○	○	○
Teletext VBI insertion	○	○	●, or decoding	●, or decoding	○
VPS - VBI insertion	○	○	PDC based	PDC based	○
Programme table	○	○	full automatic sorting	full automatic sorting	○
Factory station list	○	○	○	○	○
DVB-T Front end					
Tuner inputs (Hyperband)	○	○	1	1	○
Input frequency (MHz) / Loop through	○	○	67 - 862 VHF & UHF / ● -84,1dBm to -35dBm	67 - 862 VHF & UHF / ● -84,1dBm to -35dBm	○
Input level / Impedance	○	○	(at 16 QAM 2/3) / ●	(at 16 QAM 2/3) / ●	○
Modulation	○	○	COFDM 2/8 QPSK 16/64 QAM	COFDM 2/8 QPSK 16/64 QAM	○
FEC	○	○	1/2, 2/3, 3/4, 5/6, 7/8	1/2, 2/3, 3/4, 5/6, 7/8	○
Herarchical modulation	○	○	○	○	○
Activ antenna support	○	○	○	○	○
Embedded Conditional Access	○	○	○	○	○
Common Interface	○	○	Depends on Terracom approval, implemented according to EN 50221 specification Tested modul: Viaccess 1.4 red Label (Sweden) Other possible modules - not tested yet: Conax CAM 2.01, 3.03, 4.0 Eurocam - Viaccess V1.20, Professional made by Aston - Irde-to Ver 2.05 (CI), SE 4.60 Ver 2.06 (CI) - Aston Crypt V 1.03, made by Aston - Nageravision 1.2 SCM 2.30 - Crypto Works by Philips - Alpha Crypt - NDS Video guard CI		○
Smart Card Reader	○	○	○	○	○
Video Decoder					
MPEG profiles	○	○	MP@ML	MP@ML	○
Data rate	○	○	Up to 15Mbit/sec.	Up to 15Mbit/sec.	○
Resolution	○	○	720 x 576	720 x 576	○
OSD colors	○	○	Fitting to TV-OSD	Fitting to TV-OSD	○
Picture formats	○	○	4:3, 16:9, pan scan, letter box	4:3, 16:9, pan scan, letter box	○
Audio Decoder					
Profiles	○	○	MPEG 2 layer I & II	MPEG 2 layer I & II	○
AC 3 Decoding	○	○	○	○	○
AC 3 Output	○	○	SP/DIF	SP/DIF	○
Modes	○	○	Mono, Dual Mono, Stereo, Joint Stereo		○
Processor					
CPU	○	○	32MB	32MB	○
RAM	○	○	8MB	8MB	○
Flash	○	○	1MB	1MB	○
Software					
Service information processing	○	○	Dynamic PMT	Dynamic PMT	○
DVB subtitles	○	○	●	●	○
Over air download (OTA)	○	○	DVB enhanced profile	DVB enhanced profile	○
Navigator	○	○	1000 services	1000 services	○
API	○	○	○	○	○
Last station memory	○	○	from stand-by, as TV	from stand-by, as TV	○
Favourite mode	○	○	●	●	○
Timer / Sleep timer	○	○	10x free and 1x for OTA / ●	10x free and 1x for OTA / ●	○
Clock	○	○	○	○	○
Volume	○	○	○	○	○
Mute function	○	○	●	●	○
Swap function	○	○	●	●	○
POWER SUPPLY / CABINET					
Power voltage	230V, 50Hz; in accordance to IEC 65				
Range of regulation	140V - 265V	140V - 265V	140V - 265V	140V - 265V	140V - 265V
Power switch	●	●	●	●	●
Integrated supply	○	○	○	○	○
Plug-in AC adaptor	○	○	○	○	○
Power consumption	120W, standby 1,5W in accordance to IEC 62087-2002	145W, standby 1,5W in accordance to IEC 62087-2002	125W, standby 1,5W in accordance to IEC 62087-2002	125W, standby 1,5W in accordance to IEC 62087-2002	145W, standby 1,5W in accordance to IEC 62087-2002
Cabinet (WxHxD,cm) / Weight	79 x 48 x 9,5cm (22cm with stand) / approx. 14,6kg	91,5 x 57 x 10,5cm (25cm with stand) / approx. 17kg	70,1 x 53,7 x 9,7cm (20,6cm with stand) / approx. 14,0kg	70,1 x 53,7 x 9,7cm (20,6cm with stand) / approx. 14,0kg	82,4 x 61,2 x 10,3cm (24,8cm with stand) / approx. 20,7kg
FRONT PANEL CONNECTIONS					
Headphones	○	○	3,5mm jack (side)	3,5mm jack (side)	3,5mm jack (side)
Cinch-AV socket	○	○	3 x Cinch Video in, Audio in L/R (side)	3 x Cinch Video in, Audio in L/R (side)	3 x Cinch Video in, Audio in L/R (side)
S-Video	○	○	Hosiden (side)	Hosiden (side)	Hosiden (side)
REAR PANEL CONNECTIONS					
Euro-AV-socket AV1	CVBS in-/output, RGB input	CVBS in-/output, RGB input	CVBS in-/output, RGB input	CVBS in-/output, RGB input	CVBS in-/output, RGB input
Euro-AV Socket AV2	CVBS in-/output, S-VHS	CVBS in-/output, S-VHS	CVBS in-/output, S-VHS	CVBS in-/output, S-VHS	CVBS in-/output, S-VHS
Euro-AV Socket AV3	○	○	○	○	○
S-Video	Hosiden	Hosiden	○	○	○
Camera-AV	3x Cinch socket in	3x Cinch socket in	○	○	○
Wireless	○	○	○	○	○
YUV input / progressive	Video-in: 3 x Cinch, Audio-in: 2 x Cinch	Video-in: 3 x Cinch, Audio-in: 2 x Cinch	Video-in: 3 x Cinch, Audio-in: 2 x Cinch	Video-in: 3 x Cinch, Audio-in: 2 x Cinch	Video-in: 3 x Cinch, Audio-in: 2 x Cinch
PC-input	Multisync WXGA	Multisync WXGA	Multisync WXGA	Multisync WXGA	Multisync WXGA
PC-Audio in	●	●	●	●	●
DVI	○	○	○	○	○
HDMI	●	●	●	●	●
HD ready including HDCP	via HDMI	via HDMI	via HDMI	via HDMI	via HDMI
Headphones	3,5mm jack	3,5mm jack	○	○	○
Digital Audio out coaxial (SPDIF)	○	○	○	○	○
Video out	○	○	○	○	○
Audio out	2 x Cinch	2 x Cinch	2 x Cinch	2 x Cinch	2 x Cinch
Antenna for terrestrial reception	1 x Coaxial-socket for TV-tuner-in, according to DIN 45325				
DC-connector	○	○	○	○	○
Power supply plug	●	●	●	●	●
SUPPLIED ACCESSORIES					
Remote control (incl. battery)	TP 170 C silver	TP 170 C silver	TP 170 C black	TP 170 C silver	TP 170 C black
Power cord	● (grounded)	● (grounded)	● (grounded)	● (grounded)	● (grounded)
Cables	VGA-monitor cable	VGA-monitor cable	○	VGA-monitor cable	VGA-monitor cable
Instruction manual	●	●	○	●	●
Wall fixture	○	○	○	○	○

Prepared for VESA standard adaptor 100 x 100 + 100

	Lenaro 32 LXW 82-7731 IDTV	Lenaro 32 LXW 82-8630 IDTV	Sedance 26 LXW 68-6610 TOP	Sedance 32 LXW 82-6610 TOP	32 LXW 82-8600 DL
Order No.	G.BF 58-00 / G.BF 68-00	G.BD 75-00 / G.BF 20-00	G.BF 15-00	G.BF 11-00	G.BF 73-00
Product Code	BBV	AHX / AQV	AUE	ABH	
Destination	D,I,E,CZ / F,DK,N,S,FIN	D,E,CZ / F,DK,N,S,FIN	D,F,I,NL,E,P,PL,CZ,H,HR	D,F,I,NL,E,P,PL,CZ,H,HR	D,GB,F,I,NL,DK,N,S,FIN,E,P,PL,CZ,H
Approbations	CE,I / CE	CE	CE	CE	CE,I,ME67
IM-Languages	D, I, E, CZ / F, Nordic	D, E, CZ / F, Nordic	D, CH, NL, E, P, PL, HR	CH, E, HR, PL, H, CZ	D, CH, I, E, P, Nordic, PL, H, CZ, CIS
Remote control	TP 170 C (black)	TP 170 C	TP 170 C	TP 170 C	TP 170 C (black)
EAN	40 13833-60911 7 40 13833-60950 6	40 13833-60156 2 40 13833-60843 1	40 13833-60788 5	40 13833-60753 3	40 13833-60983 4
visible	32" / 81cm	32" / 81cm	26" / 66cm	32" / 81cm	32" / 81cm
Color	black	silver/black	silver	silver	black/silver
DISPLAY					
Panel	32" / 81cm Active Matrix TFT-LC-Display	32" / 81cm Active Matrix TFT-LC-Display	26" / 66cm Active Matrix TFT-LC-Display	32" / 81cm Active Matrix TFT-LC-Display	32" / 81cm Active Matrix TFT-LC-Display
Display-Manufacturer	CMO	AJO	AJO	AJO	AJO; CHIMEI
16:9 wide-screen format	●	●	●	●	●
Response time	ca. 6,5ms	ca. 8ms	ca. 8ms	ca. 8ms	ca. 8ms
Brightness	ca. 500cd/m2	ca. 500cd/m2	ca. 500cd/m2	ca. 500cd/m2	AOU: ca. 500ms Chimei: ca. 550ms
Contrast ratio (Panel)	ca. 1.200:1	ca. 800:1	ca. 800:1	ca. 800:1	AOU: ca. 800:1 CHIMEI: ca. 1.000:1
Viewing angle ca.	176° vertical / horizontal	170° vertical / horizontal	176° vertical / horizontal	170° vertical / horizontal	AOU: 170° vertical / horizontal; Chimei: 176° vertical / horizontal
Physical display resolution max. pixel	WXGA 1366 x 768	WXGA 1366 x 768	WXGA 1366 x 768	WXGA 1366 x 768	WXGA 1366 x 768
PICTURE					
Reference Plus	●	●	●	●	●
Motion Compensation	●	●	○	○	○
Motion Adaptive Deinterlacing	●	●	●	●	●
Line Flicker Reduction	●	●	●	●	●
Digital Color Transition Improv. (DCTI)	●	●	●	●	●
Digital Combfilter	● (2D)	● (2D)	● (2D)	● (2D)	● (2D)
Digital Luminance Transition Improv. (DLTI)	●	●	●	●	●
Picture Noise Reduction (DNR)	●	●	●	●	●
CCS (Clear Color Screen)	○	○	○	○	○
Preset picture modes	user, natural, rich, soft	user, natural, rich, soft	user, natural, rich, soft	user, natural, rich, soft	user, natural, rich, soft
Aspect ratios (Format switching)	Auto WSS (HF + Scart), 4:3 / 16:9 / L:box / SubT / Panorama				
Blackline detection	●	●	●	●	●
PIP	1-Tuner PIP	1-Tuner PIP	1-Tuner PIP	1-Tuner PIP	1-Tuner PIP
Multifield Tuner scan (Mosaic Picture)	○	○	○	○	○
PAT: Split screen (PICTURE + TEXT)	●	●	●	●	●
PAP: Double Window (PICTURE + PICTURE)	via AV	via AV	via AV	via AV	via AV
P2AT: Double Window + TXT	○	○	○	○	○
POP: PICTURE on PICTURE	○	○	○	○	○
Picture freezing	●	●	●	●	●
Zoom with point function	Zoom by Scan button	Zoom by Scan button	Zoom by Scan button	Zoom by Scan button	Zoom by Scan button
Auto 16:9 selection via Scart	●	●	●	●	●
Sharpness control	●	●	●	●	●
Blue Background	●	●	●	●	●
CHASSIS					
TV-Chassis	LM	LM	LM	LM	LM
Progressive	●	●	●	●	●
Tuner	PLL frequency synthesizer tuning				
µ-Processor	VCT-I	VCT-I	VCT-I	VCT-I	VCT-I
Scaler	MSTAR	MSTAR	MSTAR	MSTAR	MSTAR
Keyboard	6 keys: menu, source, ± for programme, ± for volume	6 keys: menu, source, ± for programme, ± for volume	6 keys: menu, source, ± for programme, ± for volume	6 keys: menu, source, ± for programme, ± for volume	6 keys: menu, source, ± for programme, ± for volume
ELECTRONIC					
Stand by indicator	blue LED	blue LED	red LED	red LED	blue LED
EPG (Electronic Programme Guide)	○	○	○	○	○
Easy Dialog	○	○	○	○	○
Megalogic	○	○	○	○	○
Manual & autom. labeling of prog.	●	●	●	●	●
Programmable off timer	○	○	○	○	○
Programmable on timer	○	○	○	○	○
Intelligent channel search (Zapping funct.)	●	●	●	●	●
Programme Edit	○	○	○	○	○
Intelligent Programme Switch	○	○	○	○	○
Auto switch off	stand-by	stand-by	stand-by	stand-by	stand-by
Programme memory TV/AV (opt.)	100 / (3 AV, SVHS, HDMI, PC, YUV)	100 / (3 AV, SVHS, HDMI, PC, YUV)	100 / (3 AV, SVHS, HDMI, PC, YUV)	100 / (3 AV, SVHS, HDMI, PC, YUV)	100 / (3 AV, SVHS, HDMI, PC, YUV)
Teletext/Fasttext/Toptext	● / ● / ●	● / ● / ●	● / ● / ●	● / ● / ●	● / ● / ●
Teletext options	250 pages	12 pages	12 pages	12 pages	12 pages
Childlock	●	●	●	●	●
Menu languages OSD	26 languages, D, GB, F, I, E, P, NL, HR, RUS, GR, DK, S, FIN, N, TR, PL, CZ, SK, SLO, H, RO, BG, SER, HEB, ALB, MKD				
Service mode	●	●	●	●	●
Hotel mode	Simple hotel mode possible via service adjustment				
TUNING					
Autom. Tuning System with country selection	full automatic sorting	full automatic sorting	full automatic sorting	full automatic sorting	full automatic sorting
Frequency Based Auto Search	●	●	●	●	●
Automatic Micro-search	○	○	○	○	○
Automatic Programming	○	○	○	○	○
Manual fine tuning	●	●	●	●	●
Direct channel selection	●	●	●	●	●
Direct frequency selection	○	○	○	○	○
PAL/SECAM/BG/DK/I/L/L	●	●	●	●	●
NTSC-Playback via Scart (3,58/4,43)	○	○	○	○	○
PAL M/N, NTSC M	○	○	●, NTSC M only via Scart	●, NTSC M only via Scart	●, NTSC M only via Scart
Cable TV / Hyperband (S1-S41)	○	○	○	○	○
AUDIO					
Mono/Stereo/Nicam	● / ● / ●	● / ● / ●	● / ● / ●	● / ● / ●	● / ● / ●
AV Stereo	●	●	●	●	●
Loudspeaker	2 wide band at the front side	2 wide band at the front side	2 wide band at the front side	2 wide band at the front side	2 wide band at the front side
Virtual Dolby	○	○	○	○	○
Magic Fidelity Sound System	○	○	○	○	○
Matched Sound Delay (Lip synchronous)	○	○	○	○	○
Subwoofer	○	○	○	○	○
Dynamic Bass	○	○	○	○	○
DSP (Digital Sound Processor)	●	●	●	●	●
Balance Adjustment	●	●	●	●	●
AVL (Audio Volume Level)	○	○	○	○	○
PIP listening via Headphone jack	○	○	○	○	○
Equalizer	5 Band	5 Band	5 Band	5 Band	5 Band
Space Sound Effect	●	●	●	●	●
Audio mode	cinema, music, sport, speech, user				
Audio amplifier	2 x 10 / 20W (nominal/music)	2 x 7 / 14W (nominal/music)	2 x 7 / 14W (nominal/music)	2 x 7 / 14W (nominal/music)	2 x 7 / 14W (nominal/music)

	Lenaro 32 LXW 82-7731 IDTV	Lenaro 32 LXW 82-8630 IDTV	Sedance 26 LXW 68-6610 TOP	Sedance 32 LXW 82-6610 TOP	32 LXW 82-8600 DL
DVB reception	Retrofitting possible via Scart socket				
DVB-T/S/C	DVB-T: DTR 1560 Micro, DVB-S: DSR 1650 Micro, DVB-C: DCB1680 Micro				
German TV-Plattform conformance logo	EN 300 744 & revised NorDig II spec (regarding DVB-T front end performance)				
Automatic/manual channel search	ATS / LCN type sorting	ATS type sorting	○	○	○
EPG (SI based)	●	●	○	○	○
- 7 Day Electronic Programme Guide	●	●	○	○	○
- now/next	●	●	○	○	○
- scheduled	If broadcasted	If broadcasted	○	○	○
- Extended Event Info	If broadcasted	If broadcasted	○	○	○
- Short Event Info	If broadcasted	If broadcasted	○	○	○
TV/Radio programmes	899	899	○	○	○
OSD languages	24 Languages	24 Languages	○	○	○
Parental control	○	○	○	○	○
Teletext VBI insertion	●, or decoding	●, or decoding	○	○	○
VPS - VBI insertion	PDC based	PDC based	○	○	○
Programme table	full automatic sorting	full automatic sorting	○	○	○
Factory station list	○	○	○	○	○
DVB-T Front end					
Tuner inputs (Hyperband)	1	1	○	○	○
Input frequency (MHz) / Loop through	67 - 862 VHF & UHF / ●	67 - 862 VHF & UHF / ●	○	○	○
Input level / Impedance	-84,1dBm to -35dBm (at 16 QAM 2/3) / ●	-84,1dBm to -35dBm (at 16 QAM 2/3) / ●	○	○	○
Modulation	COFDM 2/8 QPSK 16/64 QAM	COFDM 2/8 QPSK 16/64 QAM	○	○	○
FEC	1/2, 2/3, 3/4, 5/6, 7/8	1/2, 2/3, 3/4, 5/6, 7/8	○	○	○
Herarchical modulation	○	○	○	○	○
Activ antenna support	○	○	○	○	○
Embedded Conditional Access	○	○	○	○	○
Common Interface	Depends on Terracom approval, implemented according to EN 50221 specification Tested modul: Viaccess 1.4 red Label (Sweden) Other possible modules - not tested yet: Conax CAM 2.01, 3.03, 4.0 Eurocam - Viaccess V1.20, Professional made by Aston - Irde-to Ver 2.05 (CI), SE 4.60 Ver 2.06 (CI) - Aston Crypt V 1.03, made by Aston - Nageravision 1.2 SCM 2.30 - Crypto Works by Philips - Alpha Crypt - NDS Video guard CI				
Smart Card Reader	○	○	○	○	○
Video Decoder					
MPEG profiles	MP@ML	MP@ML	○	○	○
Data rate	Up to 15Mbit/sec.	Up to 15Mbit/sec.	○	○	○
Resolution	720 x 576	720 x 576	○	○	○
OSD colors	Fitting to TV-OSD	Fitting to TV-OSD	○	○	○
Picture formats	4:3, 16:9, pan scan, letter box	4:3, 16:9, pan scan, letter box	○	○	○
Audio Decoder					
Profiles	MPEG 2 layer I & II	MPEG 2 layer I & II	○	○	○
AC 3 Decoding	○	○	○	○	○
AC 3 Output	SP/DIF	SP/DIF	○	○	○
Modes	Mono, Dual Mono, Stereo, Joint Stereo	Mono, Dual Mono, Stereo, Joint Stereo	○	○	○
Processor					
CPU	32MB	32MB	○	○	○
RAM	8MB	8MB	○	○	○
Flash	1MB	1MB	○	○	○
Software					
Service information processing	Dynamic PMT	Dynamic PMT	○	○	○
DVB subtitles	●	●	○	○	○
Over air download (OTA)	DVB enhanced profile	DVB enhanced profile	○	○	○
Navigator	1000 services	1000 services	○	○	○
API	○	○	○	○	○
Last station memory	from stand-by, as TV	from stand-by, as TV	○	○	○
Favourite mode	●	●	○	○	○
Timer / Sleep timer	10x free and 1x for OTA / ●	10x free and 1x for OTA / ●	○	○	○
Clock	○	○	○	○	○
Volume	○	○	○	○	○
Mute function	●	●	○	○	○
Swap function	●	●	○	○	○
POWER SUPPLY / CABINET					
Power voltage	230V, 50Hz; in accordance to IEC 65				
Range of regulation	140V - 265V	140V - 265V	140V - 265V	140V - 265V	140V - 265V
Power switch	●	●	●	●	●
Integrated supply	●	●	●	●	●
Plug-in AC adaptor	○	○	○	○	○
Power consumption	150W, standby 1,5W in accordance to IEC 62087-2002	150W, standby 1,5W in accordance to IEC 62087-2002	120W, standby 1,5W in accordance to IEC 62087-2002	145W, standby 1,5W in accordance to IEC 62087-2002	145W, standby 1,5W in accordance to IEC 62087-2002
Cabinet (WxHxD,cm) / Weight	82,4 x 61,2 x 10,3cm (24,8cm with stand) / approx. 20,7kg	82,4 x 61,2 x 10,3cm (24,8cm with stand) / approx. 20,7kg	79 x 48 x 9,5cm (22cm with stand) / approx. 14,6kg	91,5 x 57 x 10,5cm (25cm with stand) / approx. 17kg	82,4 x 61,2 x 10,3cm (24,8cm with stand) / ca. 20,7kg
FRONT PANEL CONNECTIONS					
Headphones	3,5mm jack (side)	3,5mm jack (side)	○	○	3,5mm jack (side)
Cinch-AV socket	3 x Cinch	3 x Cinch	○	○	3 x Cinch
S-Video	Video in, Audio in L/R (side)	Video in, Audio in L/R (side)	○	○	Video in, Audio in L/R (side)
REAR PANEL CONNECTIONS					
Euro-AV-socket AV1	CVBS in-/output, RGB input	CVBS in-/output, RGB input	CVBS in-/output, RGB input	CVBS in-/output, RGB input	CVBS in-/output, RGB input
Euro-AV Socket AV2	CVBS in-/output, S-VHS	CVBS in-/output, S-VHS	CVBS in-/output, S-VHS	CVBS in-/output, S-VHS	CVBS in-/output, S-VHS
Euro-AV Socket AV3	○	○	○	○	○
S-Video	○	○	Hosiden	Hosiden	○
Camera-AV	○	○	3x Cinch socket in	3x Cinch socket in	○
Wireless	○	○	○	○	○
YUV input / progressive	Video-in: 3 x Cinch Audio-in: 2 x Cinch	Video-in: 3 x Cinch Audio-in: 2 x Cinch	Video-in: 3 x Cinch Audio-in: 2 x Cinch	Video-in: 3 x Cinch Audio-in: 2 x Cinch	Video-in: 3 x Cinch Audio-in: 2 x Cinch
PC-input	Video-in: 3 x Cinch Audio-in: 2 x Cinch Multisync WXGA	Video-in: 3 x Cinch Audio-in: 2 x Cinch Multisync WXGA	Video-in: 3 x Cinch Audio-in: 2 x Cinch Multisync WXGA	Video-in: 3 x Cinch Audio-in: 2 x Cinch Multisync WXGA	Video-in: 3 x Cinch Audio-in: 2 x Cinch Multisync WXGA
PC-Audio in	●	●	●	●	●
DVI	○	○	○	○	○
HDMI	○	○	●	●	○
HD ready including HDCP	via HDMI	via HDMI	via HDMI	via HDMI	via HDMI
Headphones	○	○	3,5mm jack	3,5mm jack	○
Digital Audio out coaxial (SPDIF)	○	○	○	○	○
Video out	○	○	○	○	○
Audio out	2 x Cinch	2 x Cinch	2 x Cinch	2 x Cinch	2 x Cinch
Antenna for terrestrial reception	1 x Coaxial-socket for TV-tuner-in, according to DIN 45325				
DC-connector	○	○	○	○	○
Power supply plug	●	●	●	●	●
SUPPLIED ACCESSORIES					
Remote control (incl. battery)	TP 170 C black	TP 170 C silver	TP 170 C silver	TP 170 C silver	TP 170 C black
Power cord	● (grounded)	● (grounded)	● (grounded)	● (grounded)	● (grounded)
Cables	○	VGA-monitor cable	VGA-monitor cable	VGA-monitor cable	VGA-monitor cable
Instruction manual	●	●	●	●	●
Wall fixture	○	○	○	○	○

Prepared for VESA standard adaptor 100 x 100 + 100

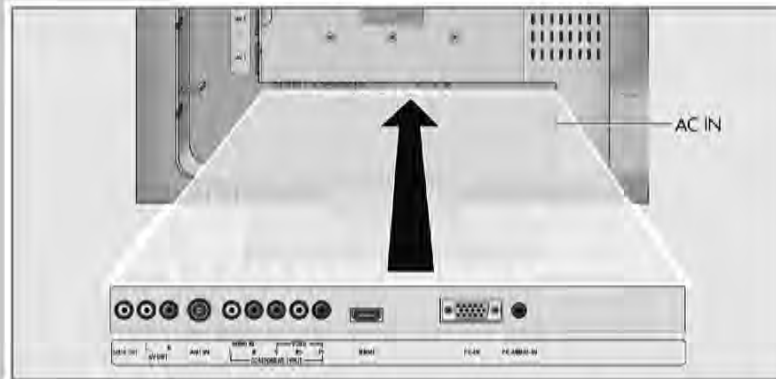
Bedienhinweise

Dieses Kapitel enthält Auszüge aus der Bedienungsanleitung.

Weitergehende Informationen entnehmen Sie bitte der gerätespezifischen Bedienungsanleitung, deren Materialnummer Sie in der entsprechenden Ersatzteilliste finden.

AUF EINEN BLICK

Die Anschlüsse des Fernsehgerätes



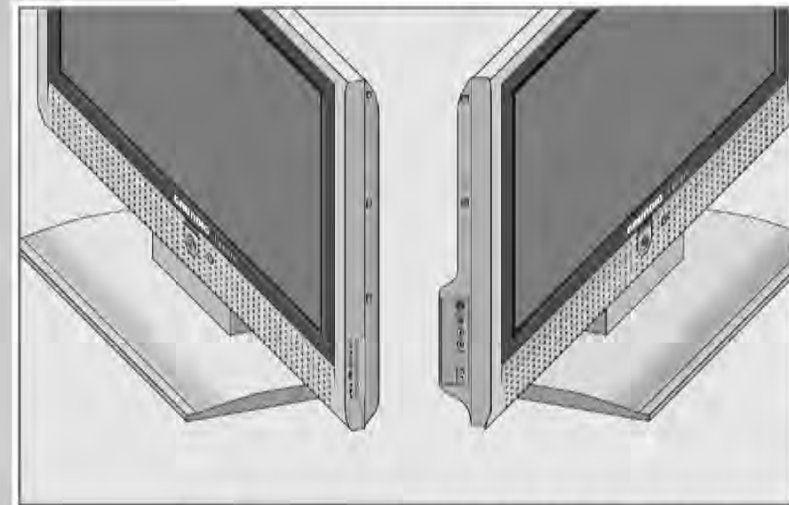
AV 2	Euro/AV-Buchse (FBAS-Signal).
AV 1	Euro/AV-Buchse (FBAS-Signal, RGB-Signal).
SPDIF OUT	Tonsignal-Ausgang (coaxial) für PCM/Dolby Digital/DTS-Signale; zum Anschließen eines digitalen Mehrkanal-Audio-/Videoverstärkers oder AV-Receivers.
L R AV OUT	Tonsignal-Ausgang.
ANT IN	Antennenbuchse.
COMPONENT INPUT	
AUDIO IN L R	Tonsignal-Eingang (YUV-Signal).
VIDEO Y Pb Pr	Bildsignal-Eingang (YUV-Signal).
HDMI	HDMI-Buchse, Ton-/Bildsignal-Eingang (HDMI).
PC-IN	VGA-Buchse, Bildsignal-Eingang für PC.
PC AUDIO-IN	Tonsignal-Eingang für PC.
AC IN	Buchse für das Netzkabel.

DEUTSCH

7

AUF EINEN BLICK

Die Bedienelemente des Fernsehgerätes










	Netzschalter, schaltet das Gerät in den Betriebszustand Stand-by und wieder aus.
+ P -	Schalten das Fernsehgerät aus Stand-by ein; schrittweise Programmwahl; wählen Funktion im Menü.
TV/AV	Ruft die Vorauswahl für AV-Programmplätze auf. Anwahl im Menü mit »+ P« oder »P -«, bestätigen mit »MENU«.
MENU	Ruft das Menü »INFO« auf, Menüzeile mit »+ P -« anwählen; Funktion mit »+ P« aktivieren; Funktion mit »+ P« einstellen; Menü mit »MENU« abschalten.
+ -	Verändern die Lautstärke; wählen Funktion im Menü.
S-VHS	Bildsignal-Eingang für S-Video-Camerarecorder.
R L	Tonsignal-Eingang für Camerarecorder.
Video (AV 3)	Bildsignal-Eingang für Camerarecorder.
	Kopfhöreranschluss (3,5 mm ø Klinke).

8

AUF EINEN BLICK

Die Fernbedienung

-  Schaltet das Fernsehgerät ab (Stand-by).
- 1...0** Schaltet das Fernsehgerät aus Stand-by ein; wählt Programme direkt.
- ?** Blendet Nummer und Namen des Programmes ein; Antwortfreigabe im Videotext-Betrieb.
-  Schaltet das Bildformat um; schaltet auf doppelte Zeichengröße im Videotext-Betrieb.
- PIP** Blendet ein Kleinbild ein; aktiviert die Double Window-Funktion; schaltet zurück zum Normalbild.
- AV** Ruft die Vorauswahl für AV-Programmplätze auf. Anwahl danach mit P+ oder P-.
-  Ton ein/aus (stummschalten).
- i** Ruft das Menü »INFO« auf.
- Z** Zapp-Funktion; Seitenstop im Videotext-Betrieb.
- P+, P-** Schalten das Fernsehgerät aus Stand-by ein; wählen Programme schrittweise; bewegen Cursor nach oben/unten.
-  Ändern die Lautstärke; bewegen Cursor nach links/rechts.
- OK** Ruft die Programmtabelle auf; aktiviert verschiedene Funktionen.
- TXT** Schaltet um zwischen Videotext-Betrieb und TV-Betrieb.
- TV-G** Taste ohne Funktion.
-  Wählt verschiedenen Bildeinstellungen an; blättert im Videotext-Betrieb eine Seite zurück.
-  Blendet die Uhrzeit ein; wählt im Videotext-Betrieb eine Seite.
-  Standbild; wählt gewünschtes Kapitel im Videotext-Betrieb.
- ?** Wählt verschiedenen Toneinstellungen an; wählt gewünschtes Thema im Videotext-Betrieb.

DEUTSCH



AUF EINEN BLICK



- SCAN** Vergrößert das Bild.
- PAT** Wählt die Funktion Double Window.
- S** Wählt Unterseiten im Videotext-Betrieb.
- P** Aktualisiert eine Seite im Videotext-Betrieb.
- DR, DVD** Schaltet auf die Bedienung eines GRUNDIG Digital-Receiver, GRUNDIG Digital-Receiver mit Festplatte (PDR), GRUNDIG DVD-Player oder GRUNDIG DVD-Recorders.
Entsprechende Taste (»DR«, »DVD«) gedrückt halten. Anschließend gewünschte Taste drücken.
Hinweis:
Die Taste »DR« ist für die Bedienung eines GRUNDIG Digital-Receiver (Fernbedienebene 1) vorprogrammiert.
Die Taste »DVD« ist für die Bedienung eines GRUNDIG DVD-Player vorprogrammiert.
Die Vorprogrammierung können Sie verändern, siehe Taste »AUX«.
Welche Funktionen Sie ausführen können, hängt von der Ausstattung des Gerätes ab.
Probieren Sie es einfach aus.
- AUX** Fernbedienung für die Bedienung externer Geräte programmieren.
»AUX« drücken und gedrückt halten und gleichzeitig die drei Zifferntasten des entsprechenden Codes drücken:
»1«, »2«, »3« für GRUNDIG DVD-Player.
»4«, »5«, »6« für GRUNDIG DVD-Recorder.
»1«, »4«, »7« für GRUNDIG Digital-Receiver (Fernbedienebene 1).
»2«, »5«, »8« für GRUNDIG Digital-Receiver (Fernbedienebene 2).
»3«, »6«, »9« für GRUNDIG Digital-Receiver mit Festplatte (PDR).

KOMFORT-FUNKTIONEN

Kindersperre aktivieren

Sie können Fernseh-Programme, die für Kinder nicht geeignet sind, sperren.

- 1 Gewünschtes Fernseh-Programm mit »P+«, »P-« oder »1...0« wählen.
- 2 »INFO« aufrufen, dazu »i« drücken.
- 3 Zeile »Sonderfunktionen« mit »P+« oder »P-« anwählen und mit »OK« bestätigen.
- 4 Zeile »Kindersperre« mit »P+« oder »P-« anwählen.
- 5 Kindersperre mit »◀« oder »▶« aktivieren (Ein).
- 6 Einstellung mit »i« beenden.
– Der gewählte Programmplatz ist gesperrt.



Kindersperre abschalten

- 1 Gesperrtes Fernseh-Programm mit »1...0« wählen.
- 2 »INFO« aufrufen, dazu »i« drücken.
- 3 Zeile »Sonderfunktionen« mit »P+« oder »P-« anwählen und mit »OK« bestätigen.
- 4 Zeile »Kindersperre« mit »P+« oder »P-« anwählen.
- 5 Kindersperre mit »◀« oder »▶« abschalten (Aus).
- 6 Einstellung mit »i« beenden.



SONDEREINSTELLUNGEN

Fernseh-Programme einstellen

Diese Einstellung ist nur dann erforderlich, wenn ein neues Fernseh-Programm hinzukommt und Sie Ihre spezielle Reihenfolge der Programmplätze beibehalten wollen. Das Fernseh-Programm kann direkt oder über einen Suchlauf eingestellt werden.

Fernseh-Programme mit dem Suchlauf einstellen

- 1 Menü »INFO« mit »i« aufrufen.
– Das Menü »INFO« wird eingeblendet.
- 2 Zeile »Installation« mit »P+« oder »P-« wählen und mit »OK« bestätigen.
– Das Menü »Installation« wird eingeblendet.
- 3 Zeile »Programmnummer« mit »P+« oder »P-« wählen und mit »◀« oder »▶« gewünschten Programmplatz einstellen.
- 4 Zeile »Suchen« mit »P+« oder »P-« wählen und mit »◀« oder »▶« den Suchlauf starten.
– Wird ein ausreichend starkes Sendersignal erfasst, wird der Suchlauf unterbrochen und das Bild erscheint. Suchlauf so oft wiederholen, bis das gewünschte Fernseh-Programm erscheint.

Hinweis:

Das aktuelle System wird in der Zeile »TV-Standard« angezeigt. Sind die Farbe und/oder der Ton nicht in Ordnung, die Zeile »TV-Standard« mit »P+« oder »P-« wählen. Mit »◀« oder »▶« benötigte Einstellung wählen.

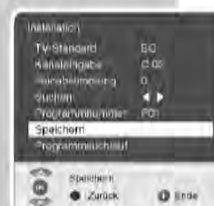
Hinweis:

Das aktuelle System wird in der Zeile »TV-Standard« angezeigt. Sind die Farbe und/oder der Ton nicht in Ordnung, die Zeile »TV-Standard« mit »P+« oder »P-« wählen. Mit »◀« oder »▶« benötigte Einstellung wählen.

Hinweis:

Weitere Fernseh-Programme einstellen, dazu die Pkt.3 bis 5 wiederholen.

- 6 Einstellung mit »i« beenden.



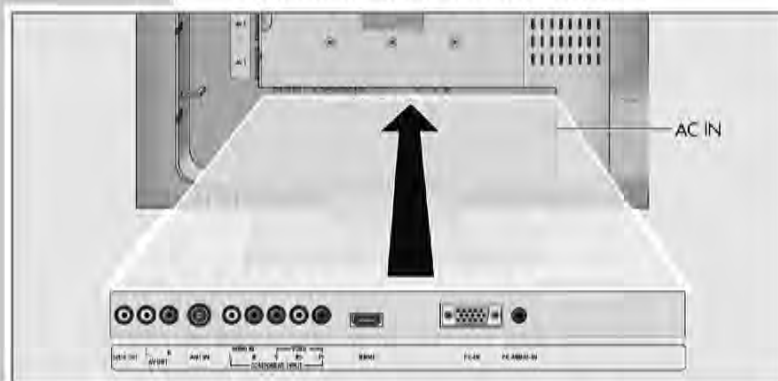
Operating Hints

This chapter contains excerpts from the operating instructions.

For further particulars please refer to the appropriate user instructions the part number of which is indicated in the relevant spare parts list.

OVERVIEW

Connections on the television

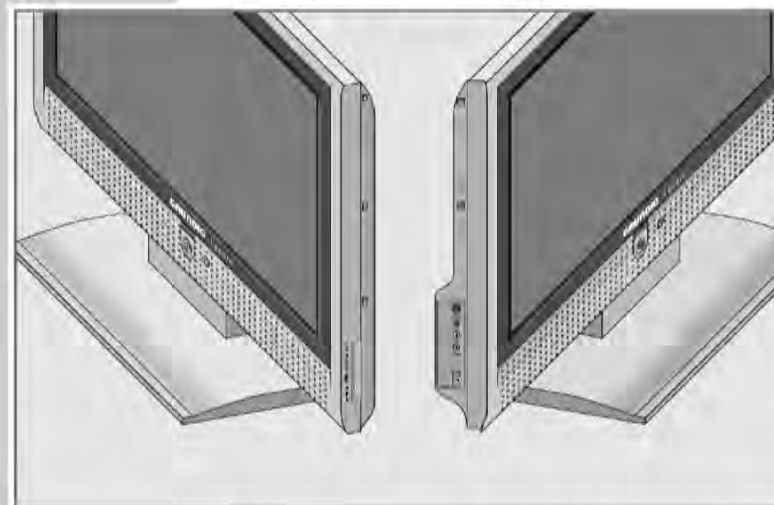


AV 2	Euro/AV socket (FBAS signal).
AV 1	Euro/AV socket (FBAS signal, RGB signal).
SPDIF OUT	Audio output sockets (coaxial) for PCM/Dolby digital/DTS signals. For connecting to a digital multi-channel audio/video amplifier or AV receiver.
L R AV OUT	Audio output.
ANT IN	Antenna socket.
COMPONENT VIDEO INPUT	
AUDIO LR	Audio signal input (YUV signal).
Y Pb Pr	Video signal input (YUV signal).
HDMI	HDMI socket, audio/video signal input (HDMI).
PC-IN	VGA socket, video signal input for PC.
PC AUDIO-IN	Audio signal input for PC.
AC IN	Socket for the mains cable.

ENGLISH

OVERVIEW








Controls on the television



ⓘ	Power switch, switches the device to and from standby mode.
+ P -	Switch the television on from standby. Channel selection. Select a function in the menu.
TV/AV	Opens the pre-selection for AV channels. Select within the menu with »+ P« or »P -«, confirm with »MENU«.
MENU	Opens the »MAIN MENU« menu. Press »+ P -« to select an item. Press »+ P -« to activate a function. Press »+ P -« to set a function. Press »MENU« to close the menu.
+ MUTE -	Adjust the volume. Select menu functions.
S-VHS	Video signal input for S-Video camcorder.
R L	Audio signal input for camcorder.
Video (AV 3)	Video signal input for camcorder.
🎧	Headphone connection (3.5 mm jack).

OVERVIEW

The remote control

-  Switches off the television set (stand-by).
- 1...0** Switches the television on from standby mode
Selects channels directly.
- ?** Displays the number and name of a station;
reveals answers in teletext mode.
-  Switches between picture formats;
switches to double character size in teletext mode.
- PIP** Shows an inset picture;
activates the double window function;
switches back to normal size.
- AV** Opens the pre-selection for AV channels.
Then selection with **P+** or **P-**.
-  Sound on/off (mute).
- i** Calls up the »MAIN MENU«.
- Z** Zap function;
page stop in teletext mode.
- P+, P-** Switches the television on from standby;
selects stations step by step;
moves the cursor in the menus up and down.
- ◀ ▶** Adjusts the volume;
moves the cursor left/right.
- OK** Calls up the preset channels;
activates various functions.
- TXT** Switches between teletext and TV modes
- TV-G** Key has no function.
-  Selects various picture settings;
scrolls back a page in teletext mode.
-  Displays the time;
selects the next page in teletext mode.
-  Freeze-frame;
selects the desired chapter in teletext mode.
-  Selects various audio settings;
selects the desired topic in teletext mode.

ENGLISH



OVERVIEW

- SCAN** Enlarges the picture.
- PAT** Selects the Double Window function.
- S** Selects the sub-pages in teletext mode.
- P** Updates a page in teletext mode.
- DR, DVD** Switches to operation of a GRUNDIG digital receiver,
GRUNDIG digital receiver with hard disk (PDR),
GRUNDIG DVD player or GRUNDIG DVD recorder.
Keep the appropriate button (»DR«, »DVD«) pressed
down. Then press the appropriate button.
Note:
The »DR« button has been programmed for operating
a GRUNDIG digital receiver (remote control level 1).
The »DVD« button has been programmed for
operating a GRUNDIG DVD player.
You can change this programming, see »AUX« button.
The functions available depend on the model of the
device you are using.
Just try it out.
- AUX** Programming the remote control for the operation of
external devices.
Press »AUX« and hold it down and press three
numerical buttons to enter the appropriate code:
»1«, »2«, »3« for a GRUNDIG DVD player.
»4«, »5«, »6« for a GRUNDIG DVD recorder.
»1«, »4«, »7« for a GRUNDIG digital receiver
(remote control level 1).
»2«, »5«, »8« for a GRUNDIG digital receiver
(remote control level 2).
»3«, »6«, »9« for a GRUNDIG digital receiver with
hard disk (PDR).

CONVENIENCE FUNCTIONS

Activating the parental lock

You can block programmes which are unsuitable for children.

- 1 Select the television channel with »P+«, »P-« or »1...0«.
- 2 To open the »MAIN MENU« press »i«.
- 3 Select »Features« with »P+« or »P-« and confirm with »OK«.
- 4 Select »Child Lock« with »P+« or »P-« and confirm with »OK«.
- 5 Activate the parental lock with »◀« or »▶« (On).
- 6 Press »i« to finish the setting.
– The selected channel position is now blocked.



Deactivating the parental lock

- 1 Select the blocked television channel with »1...0«.
- 2 To open the »MAIN MENU« press »i«.
- 3 Select »Features« with »P+« or »P-« and confirm with »OK«.
- 4 Select »Child Lock« with »P+« or »P-« and confirm with »OK«.
- 5 Switch off the parental lock with »◀« or »▶« (Off).
- 6 Press »i« to finish the setting.



SPECIAL SETTINGS

Setting television channels

This setting is only necessary if a new channel comes on air and you do not want to change the order of your channels. The television channel can be set directly or using the search.

Setting channels using the search

- 1 Press »i« to open the »MAIN MENU«.
– The »MAIN MENU« appears.
- 2 Select »Setup« with »P+« or »P-« and confirm with »OK«.
– The »Setup« menu appears.
- 3 Select »Program no.« with »P+« or »P-« and set the preset channel with »◀« or »▶«.
- 4 Select »Search« with »P+« or »P-« and start the search with »◀« or »▶«.
– If a strong station signal is received, the search is interrupted and the picture appears. Repeat the search until the channel you want appears on the screen.

Note:

The current system is automatically displayed in the »System« line. Select »System« with »P+« or »P-« if the colour or sound are incorrect. Select the setting required with »◀« or »▶«.

- 5 Select »Store« with »P+« or »P-« and confirm with »OK«.
– The »Stored« message appears.
- 6 Press »i« to finish the setting.

Note:

To set other television stations, repeat steps 3 to 5.



Service- und Sonderfunktionen

Tastenfunktionen

- i Aufrufen des Dialog Centers / Menü verlassen
- P+/P- Menü-Zeile (Menüpunkt) wählen
- ◀/▶ Aufrufen der Menüs / Wert ändern
- TXT Beenden des Service Mode

Service-Mode aktivieren

- Taste "i" (INFO) drücken.
- Zahlenfolge "8500" eingeben.

Service-Mode beenden

- Taste "TXT" drücken.

1. Grundeinstellwerte

Die Grundeinstellwerte im Service Mode sind in der Tabelle enthalten.

Service and Special Functions

Functions of the buttons

- i Call up the Dialog Center / close down the Menu
- P+/P- Call up the dialogue line (point of menu)
- ◀/▶ Call up the Menus / Changing the settings
- TXT Exit the Service Mode

Calling up the Service Mode

- Press button "i" (INFO).
- Enter the code number "8500".

Exit the Service Mode

- Press button "TXT".

1. Basic Settings

The table shows all basic specific settings in the service mode.

Menü Menu P+ / P- ◀/▶	Menüpunkt Point of Menu P+ / P- ◀/▶	Einstellung Adjustment ◀/▶	Cinaro 26 LXW 68-6612 REF	Cinaro 32 LXW 82-6612 REF	Lenaro 27 LXW 70-7731 IDTV	Lenaro 27 LXW 70-8630 IDTV	Lenaro 32 LXW 82-7615 Top	Lenaro 32 LXW 82-7731 IDTV	Lenaro 32 LXW 82-8630 IDTV	Sedance 26 LXW 68-6610 Top	Sedance 32 LXW 82-6610 Top	32 LXW 82-8600 DL	Hinweis Hint	
OPTIONS 0	STANDBY	CUSTOMER	X	X	X	X	X	X	X	X	X	X	Netz-Ein -> Standby / Power on -> standby	
		FACTORY											Netz-Ein -> Programm 1 / Power on -> Programme 1	
	ON TIMER	YES												Einschalt-Timer EIN / Switch on Timer ON
		NO	X	X	X	X	X	X	X	X	X	X	X	Einschalt-Timer AUS / Switch on Timer OFF
	TEXT	FAST & TOP	X	X	X	X	X	X	X	X	X	X	X	
		FAST												
	TEXT TBL	WEST												
		EAST												
		CYRILLIC												
		GREEK												
ARABIC														
FARSI														
HEBREW														
AUTO	X	X	X	X	X	X	X	X	X	X	X			
LANGUAGE	A	X	X	X	X	X	X	X	X	X	X	X		
	B													
PANEL		Eingebautes Display wählen Select used display												
PIP	AV	X	X	X	X	X	X	X	X	X	X	X		
	NO													
PLUG PLAY	ON	ATS Reset												
	OFF	X	X	X	X	X	X	X	X	X	X	X	Netz ein -> Automatischer Sendersuchlauf Power on -> search automatical programmes	
BLUEBACK	ON	X	X	X	X	X	X	X	X	X	X	X		
	OFF													
CTI	MENU												Colour Transient Improvement	
	ON	X	X	X	X	X	X	X	X	X	X	X		
DNR	OFF												Digitale Rauschunterdrückung Digital Noise Reduction	
	MENU	X	X	X	X	X	X	X	X	X	X	X		
PROTECTION	ON	X	X	X	X	X	X	X	X	X	X	X	Schutzschaltung / Protection	
	OFF													
PANORAMA	YES	X	X	X	X	X	X	X	X	X	X	X		
	NO													
PAT	YES	X	X	X	X	X	X	X	X	X	X	X	Bild & Text Picture & Text	
	NO													
HOTEL	YES												Hotel-Mode	
	NO	X	X	X	X	X	X	X	X	X	X	X		
HOTEL VOL	0...63	20	20	20	20	20	20	20	20	20	20	20	Maximale Lautstärke im Hotel-Mode Hotel mode - volume maximum	
OPTIONS 2	DIMMING													
	DIMMING VALUE	0...255	0											

Menü Menu P+ / P- ◀ / ▶	Menüpunkt Point of Menu P+ / P- ◀ / ▶	Einstellung Adjustment ◀ / ▶	Charo 26 LXW 68-6612 REF	Charo 32 LXW 82-6612 REF	Lenaro 27 LXW 70-7731 IDTV	Lenaro 27 LXW 70-8630 IDTV	Lenaro 32 LXW 82-7615 Top	Lenaro 32 LXW 82-7731 IDTV	Lenaro 32 LXW 82-8630 IDTV	Sedance 26 LXW 68-6610 Top	Sedance 32 LXW 82-6610 Top	32. LXW 82-8600 DL	Hinweis Hint	
SOUND OPTIONS	BG	EUROPE	X	X	X	X	X	X	X	X	X	X		
		NEWZEALAND												
		AUSTRALIA												
	DK	YES	X	X	X	X	X	X	X	X	X	X	X	
		NO												
	I	YES	X	X	X	X	X	X	X	X	X	X	X	
		NO												
	LL	YES	X	X	X	X	X	X	X	X	X	X	X	
		NO												
	DOLBY	YES							X					
		NO	X	X	X	X	X	X		X	X	X	X	
	BASS OPTION	DYN. BASS	X	X	X	X	X	X	X	X	X	X	X	Bass-Option
SUBWOOFER														
HEADPHONE	YES	X	X	X	X	X	X	X	X	X	X	X	Kopfhörer / Headphone	
	NO													
CARRI MUTE	MSP	X	X	X	X	X	X	X	X	X	X	X		
	MICRO													
IF SETTINGS	TUNER	PS DA5	Eingebauten Tuner wählen Select used tuner											
		THOMSON												
		TEMIC												
		PS D44												
		ALPS												
	PHILIPS													
	VHF III UHF	0...15	5											
VHF I	0...15	5												
AGC METHOD	S&PW&PD	X	X	X	X	X	X	X	X	X	X	X		
	FIXED													
	SYNC&PW													
SECAM MTD	NEW	X	X	X	X	X	X	X	X	X	X	X		
	OLD													
ADJUSTMENTS	VCTI													
	-> BLE	BLE MODE	2											
		BLE GAIN	2											
		BLE TILT	8											
		BLE STATIC	7											
	-> FAC LTI	LTI CORING	0											
		LTI GAIN	0											
	-> SLL SUBCARR	SLLTHDV	6											
		SUBCARRIER	19											
	-> LUMA DELAY	DLY PAL	9											
		DLY SECAM	10											
		DLY NTSC	9											
	-> SCART RGB	BRI	-9											
		CONT	50											
		CB SAT	50											
		CR SAT	50											
		TINT	0											
		R GAIN	34											
		G GAIN	33											
	B GAIN	35												
	MSTAR	6C R	5											
		6C G	5											
		6C B	8											
6C C		0												
6C M		3												
6C Y		2												
6C F		4												
SPECTRUM	1													
ADJUST	R GAIN	126												
	G GAIN	128												
	B GAIN	96												
	R OFFSET	128												
	G OFFSET	128												
	B OFFSET	126												
	SUB CON	69												
SUB BRI	39													

Menü Menu P+ / P- ◀ / ▶	Menüpunkt Point of Menu P+ / P- ◀ / ▶	Einstellung Adjustment ◀ / ▶	Cinaro 26 LXW 68-6612 REF	Cinaro 32 LXW 82-6612 REF	Lenaro 27 LXW 70-7731 IDTV	Lenaro 27 LXW 70-8630 IDTV	Lenaro 32 LXW 82-7615 Top	Lenaro 32 LXW 82-7731 IDTV	Lenaro 32 LXW 82-8630 IDTV	Sedance 26 LXW 68-6610 Top	Sedance 32 LXW 82-6610 Top	32. LXW 82-8600 DL	Hinweis Hint	
ADJUSTMENTS	AUTO COLOR													
	RESET													
	EDID/HDCP	EDID												
		HDCP												
		OFF	X	X	X	X	X	X	X	X	X	X	X	
	ISP	ON												
OFF		X	X	X	X	X	X	X	X	X	X	X		

2. Austausch der Hauptplatte oder des IC323

Nach dem Austausch der Hauptplatte oder des IC323 sind die Grundeinstellwerte im Service Mode entsprechend der Tabelle einzustellen.

3. Software-Versionsnummer

Die Software-Versionsnummer wird oben im Service-Menü angezeigt, z.B.:

SLM. 512G 02 T07
11/08/06 11: 08: 59
G: SLM. 064 04 T00

4. Programmsuchlauf

- Taste " i " (INFO) drücken.
- "Installation" mit den Tasten P+ / P- anwählen und mit der Taste "OK" bestätigen.
- "Programmsuchlauf" mit den Tasten P+ / P- anwählen und mit der Taste "OK" bestätigen.
- Gewünschtes Land mit den Tasten P+ / P-, ◀ / ▶ auswählen und mit der Taste "OK" bestätigen.
Das automatische Sendersuchsystem stoppt bei jedem empfangswürdigen Sender (AFC und Koinzidenz) und speichert automatisch die entsprechenden Senderdaten mit dem jeweiligen Standard. Danach wird der Suchlauf fortgesetzt.
Zum Abbrechen des Suchlaufes die Taste " i " drücken.

5. EEPROM Edit

Diese Funktion ist ausschließlich für die Entwicklung und darf nur nach besonderer Aufforderung verwendet werden. Bei falschen Eingaben sind die Gerätefunktionen nicht mehr gewährleistet.

2. Change of the Main Board or IC323

After changing the Main Board or IC323 all basic settings in the service mode must be done according to the table.

3. Software Version Number

The software version number is shown on the upper part of the service menu, e.g.:

SLM. 512G 02 T07
11/08/06 11: 08: 59
G: SLM. 064 04 T00

4. Programme Search

- Press button " i " (MAIN MENU).
- Select "Setup" with the buttons P+ / P- and confirm with button "OK".
- Select "Autoprogram" with the buttons P+ / P- and confirm with button "OK".
- Select the required Country with the buttons P+ / P-, ◀ / ▶ and confirm with button "OK".
The autoprogrammes system stops at every station of acceptable reception quality (AFC and coincidence) and stores the station data and the respective standard automatically. The system then continues searching.
Pressing the " i " button stops the programme search.

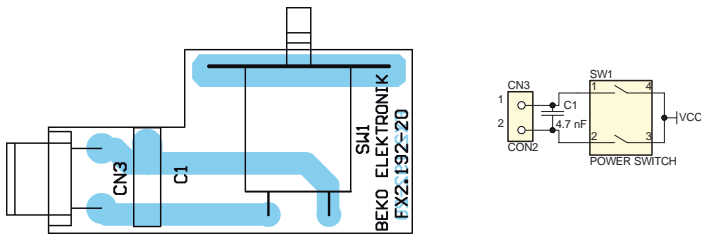
5. EEPROM Edit

This function is only for development and is only allowed to use by special demand. Any incorrect settings may cause a defectiv set.

Platinenabbildungen und Schaltpläne / Layout of PCBs and Circuit Diagrams

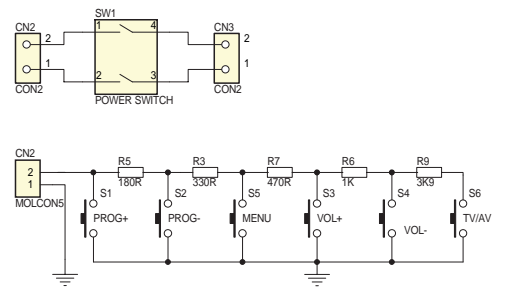
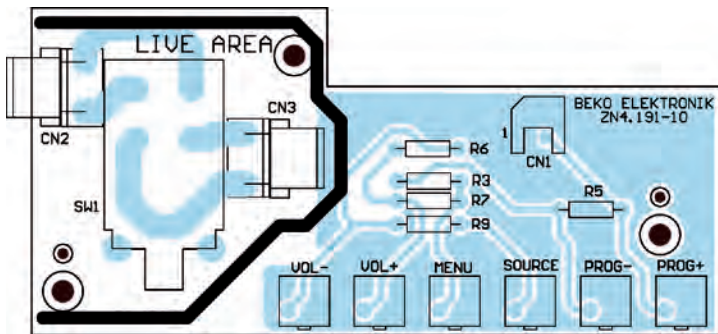
Netzschalterplatte / Power Switch Board FX2192-20

Ansicht von der Bestückungsseite / View of Component Side



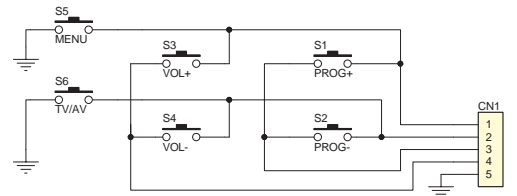
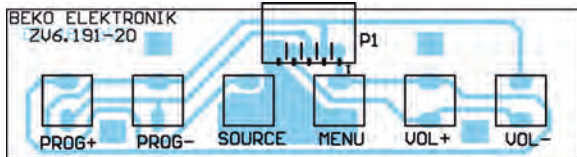
Bedieneinheit / Keyboard Control Unit ZN4191-10

Ansicht von der Bestückungsseite / View of Component Side



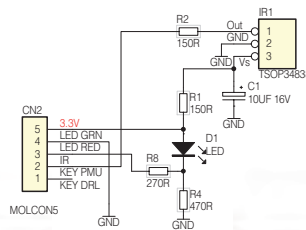
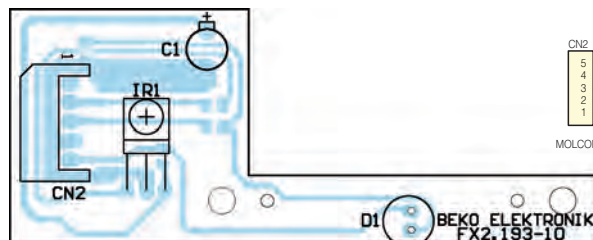
Bedieneinheit / Keyboard Control Unit ZV6191-20

Ansicht von der Bestückungsseite / View of Component Side

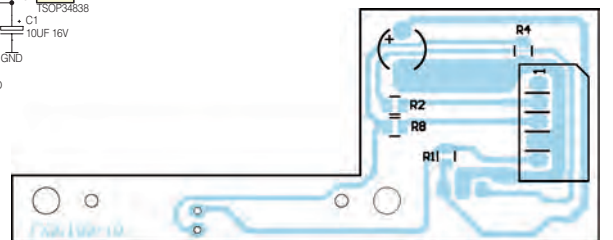


IR/LED-Platte / Board FX2193-10

Ansicht von der Bestückungsseite
View of Component Side

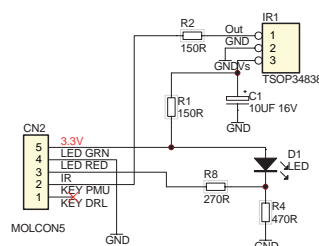
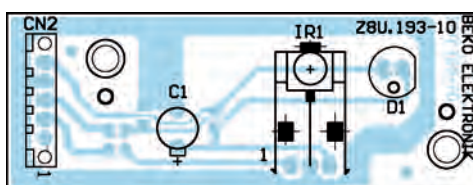


Ansicht von der Lötseite
View of Solder Side

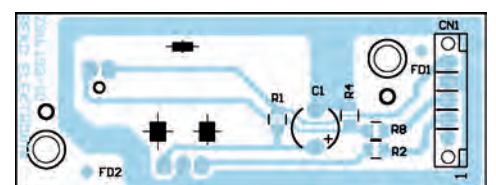


IR/LED-Platte / Board Z8U193-10

Ansicht von der Bestückungsseite
View of Component Side

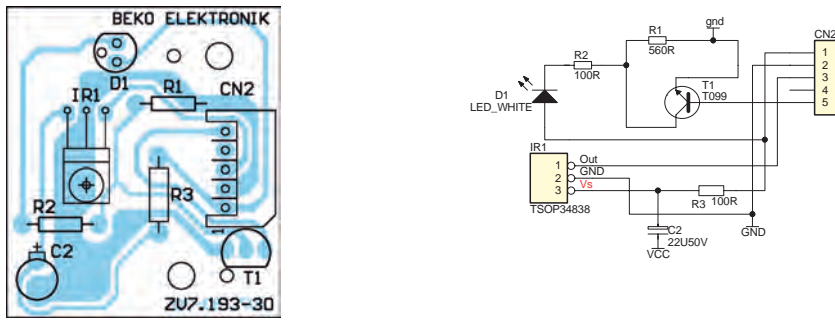


Ansicht von der Lötseite
View of Solder Side



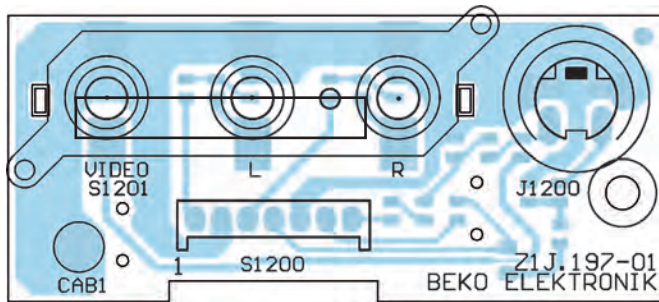
IR/LED-Platte / Board ZV7193-30

Ansicht von der Bestückungsseite / View of Component Side

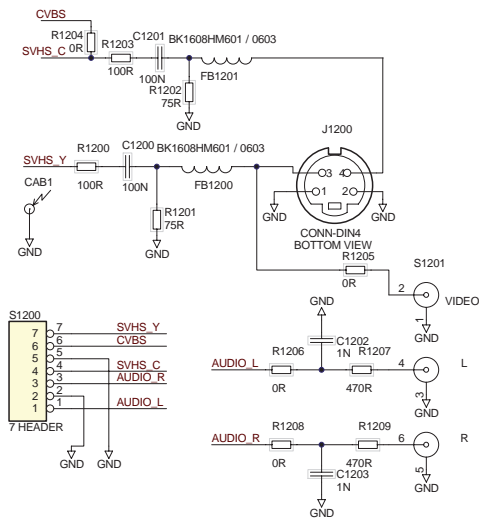
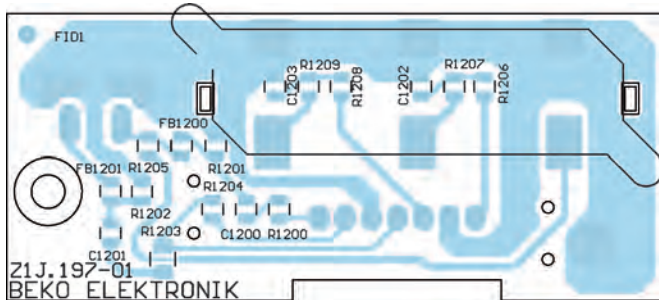


Buchsenplatte / Socket Board Z1J197-01

Ansicht von der Bestückungsseite / View of Component Side

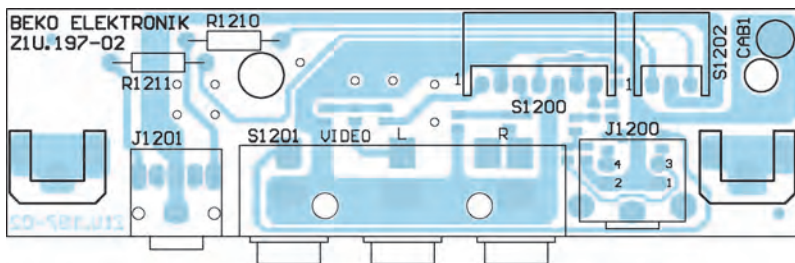


Ansicht von der Lötseite / View of Solder Side

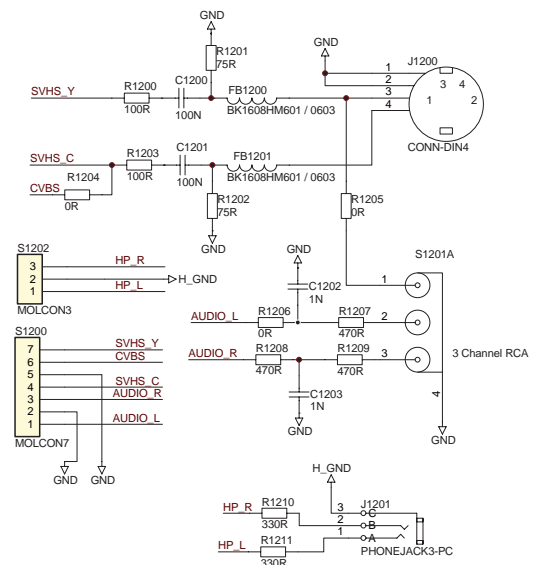
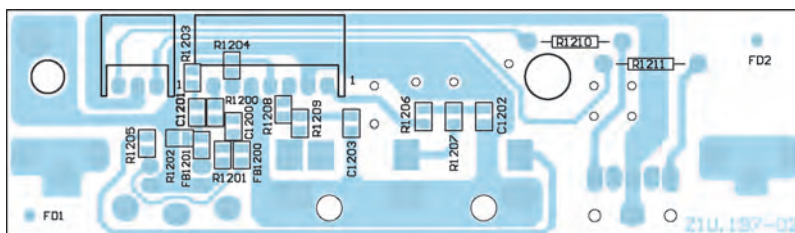


Buchsenplatte / Socket Board Z1U197-02

Ansicht von der Bestückungsseite / View of Component Side

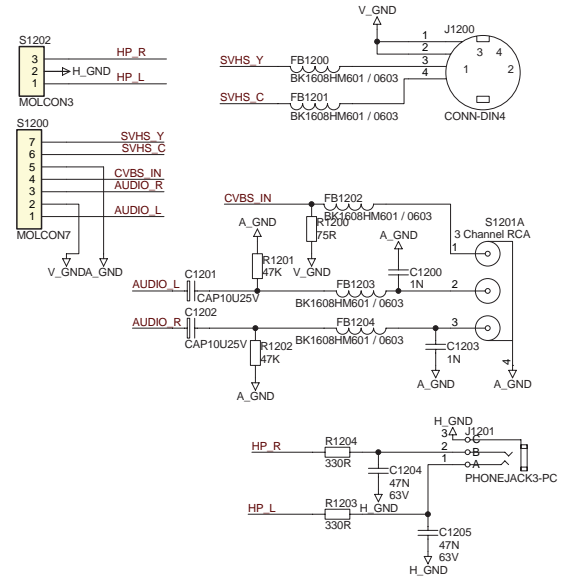
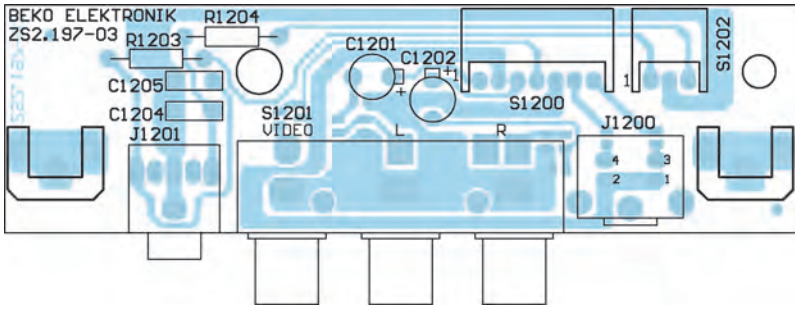


Ansicht von der Lötseite / View of Solder Side

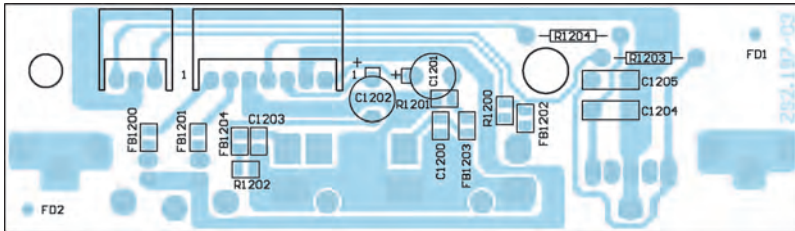


Buchsenplatte / Socket Board ZS2197-03

Ansicht von der Bestückungsseite / View of Component Side

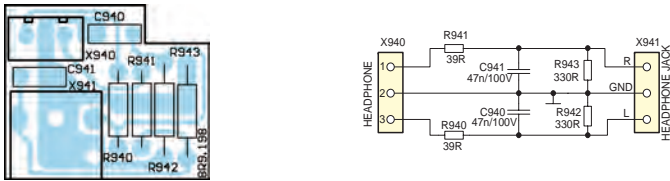


Ansicht von der Bestückungsseite / View of Component Side

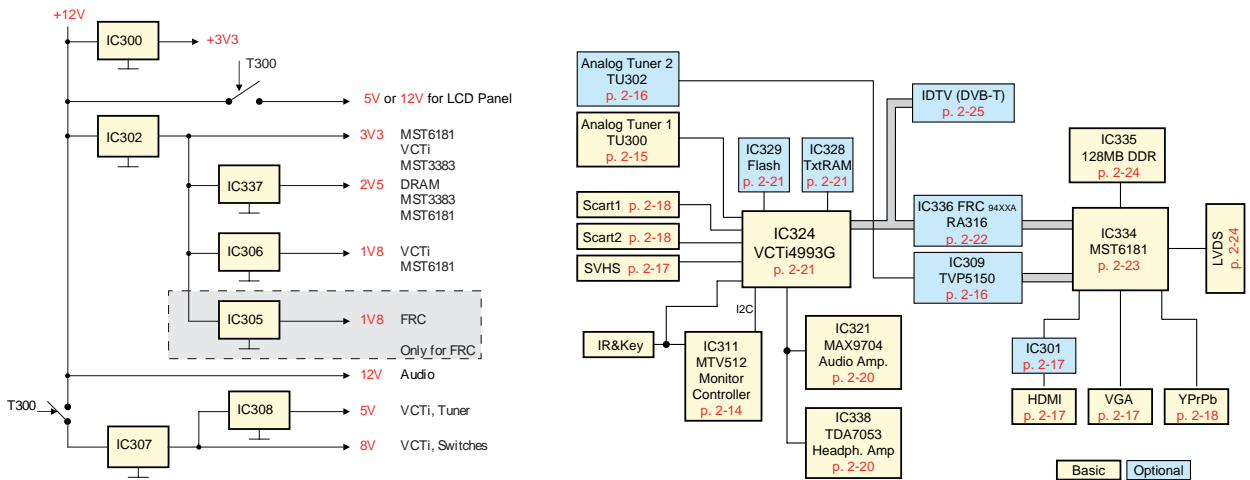


Kopfhörerplatte / Headphone Board 8R9198

Ansicht von der Bestückungsseite / View of Component Side

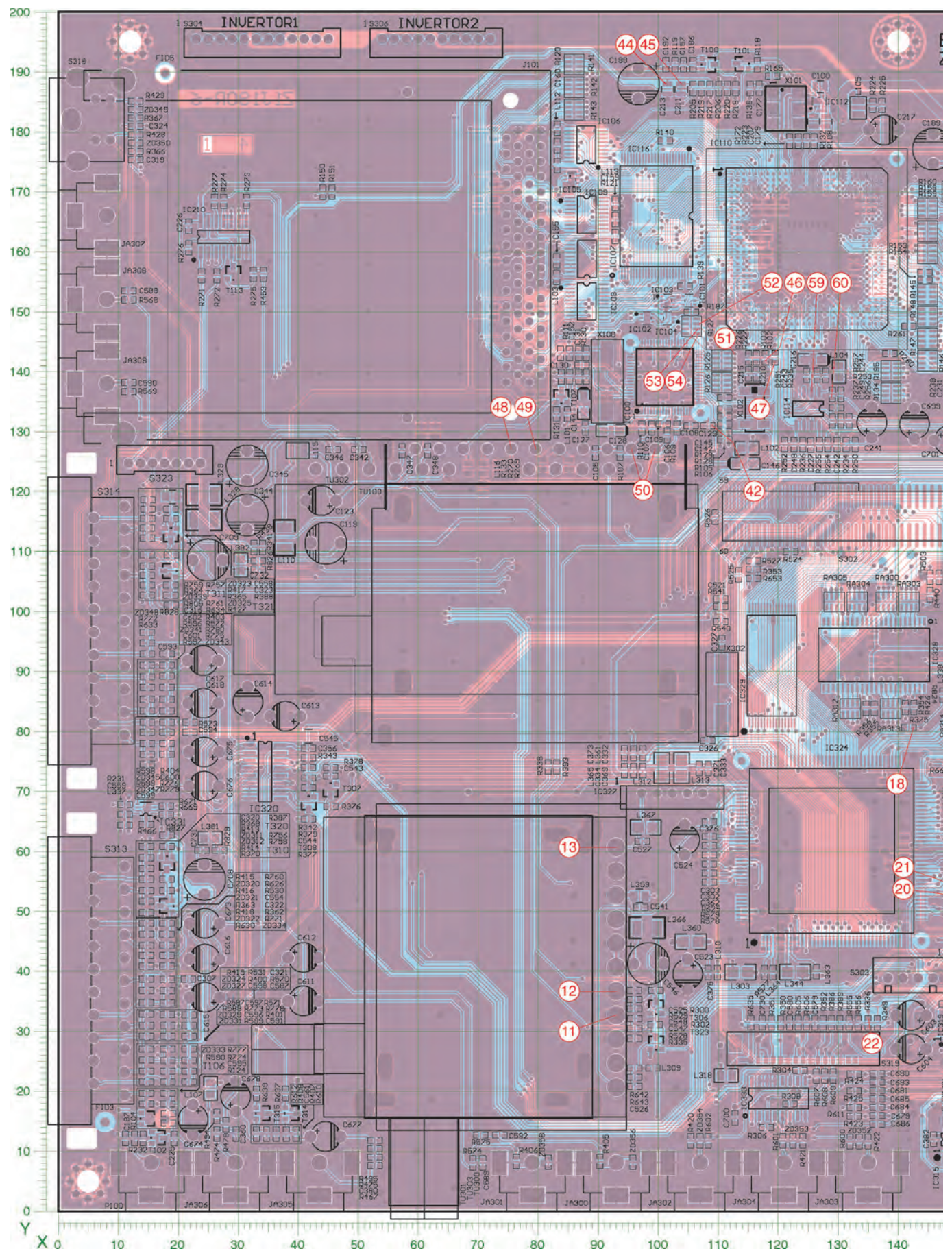


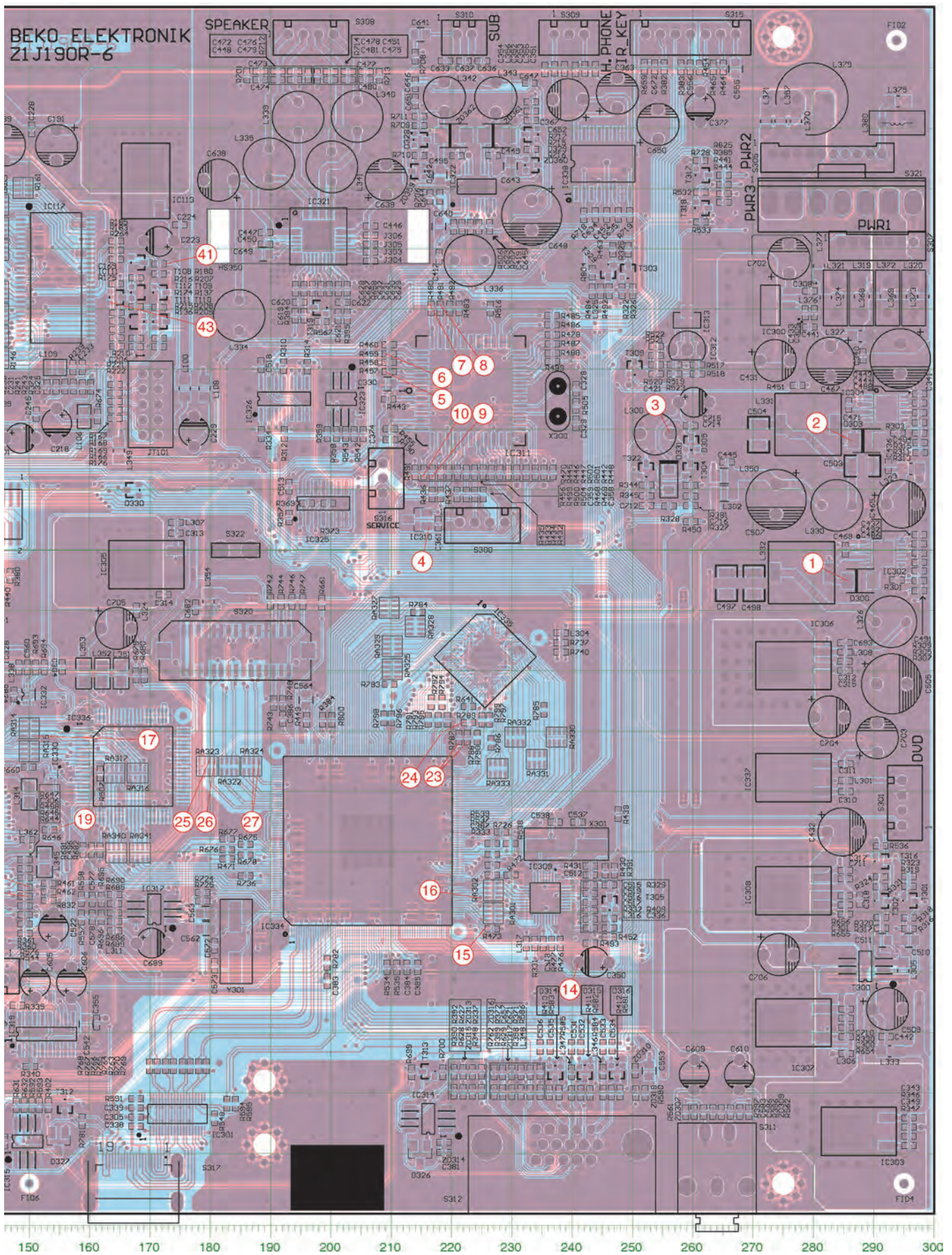
Hauptplatte – Übersicht / Main Board – Overview



Hauptplatte / Main Board

Ansicht von der Bestückungsseite
View of Component Side





BEKO-ELEKTRONIK
Z1J190R-6

SPEAKER

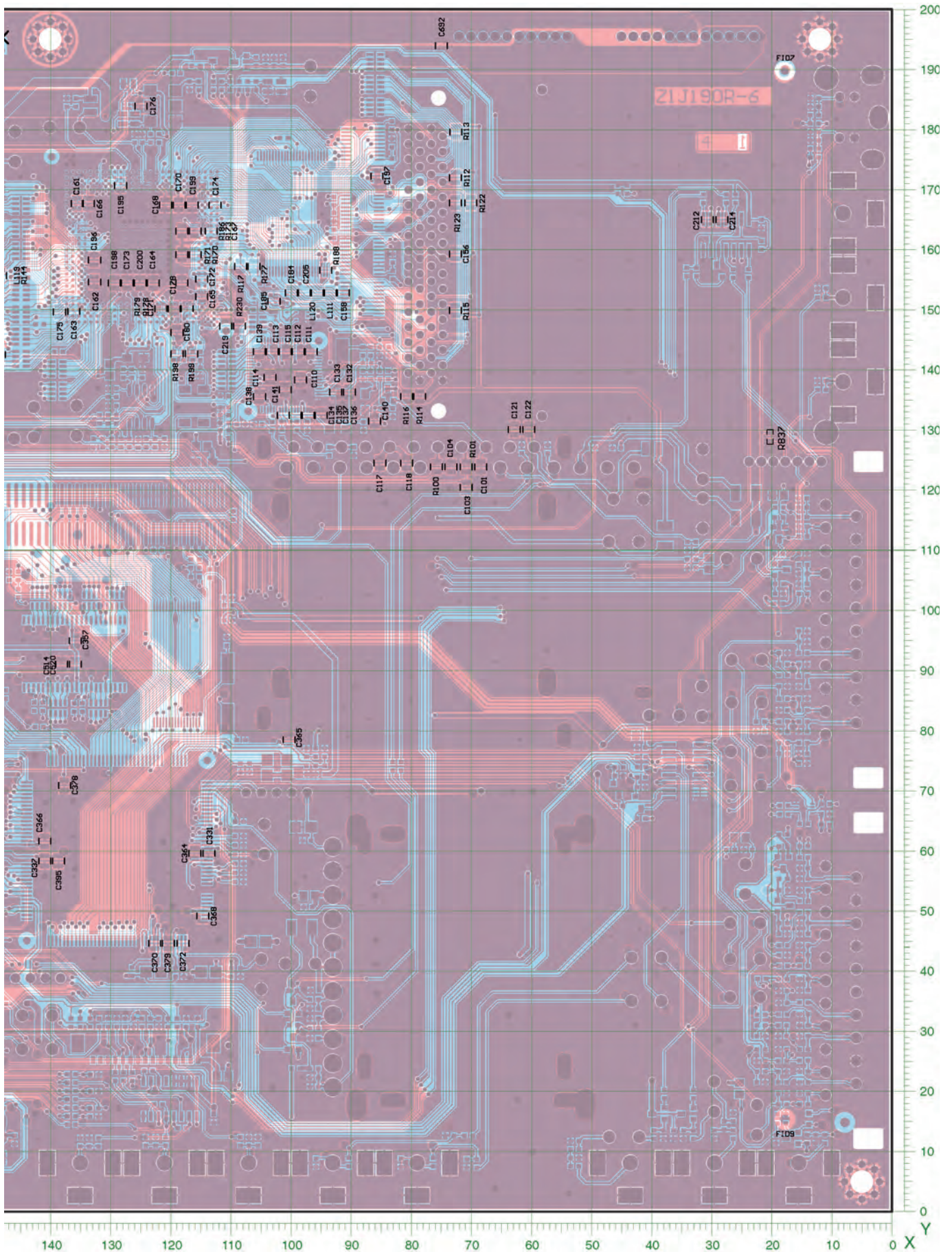
SUB

PHONE KEY

SERVIC

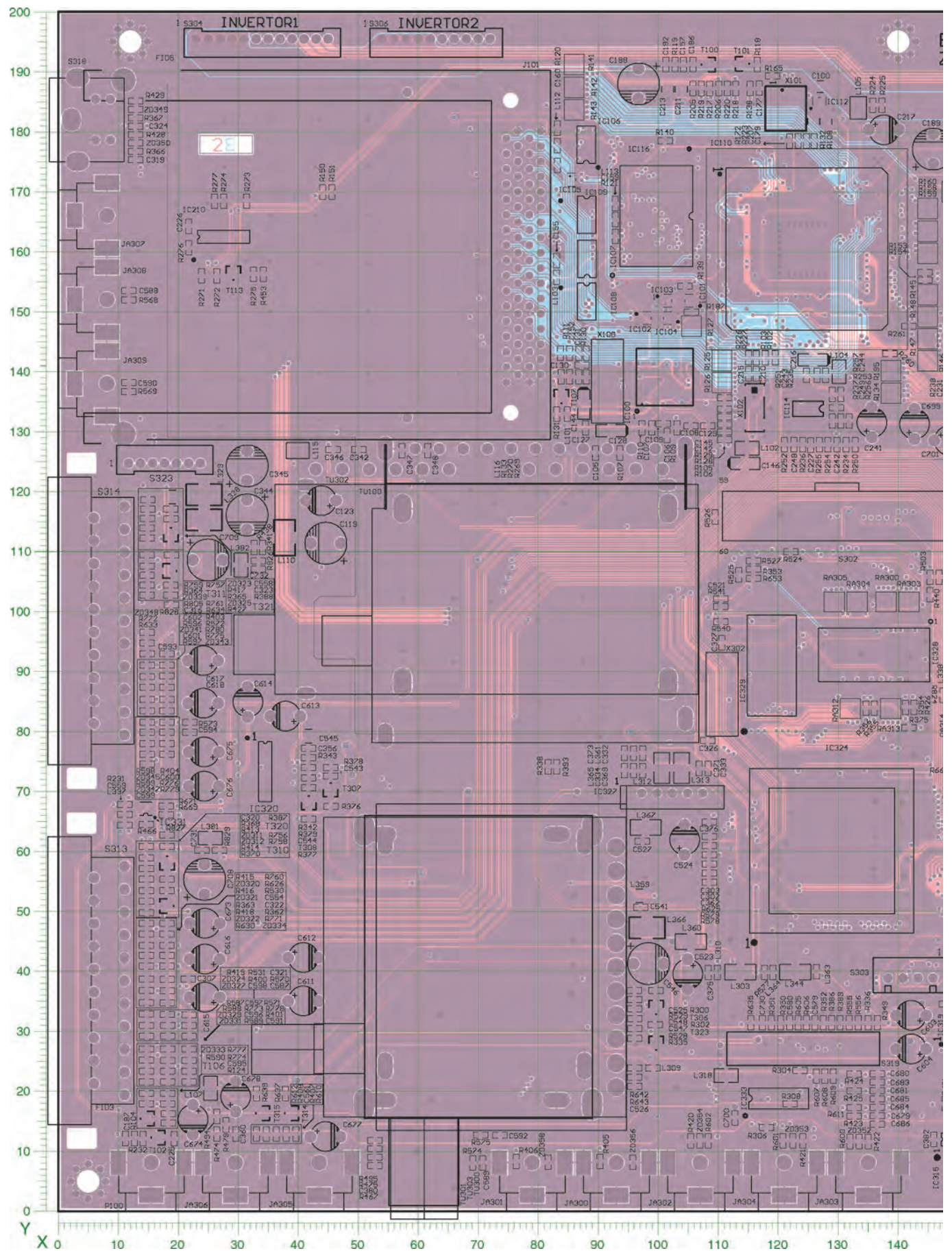
DVD

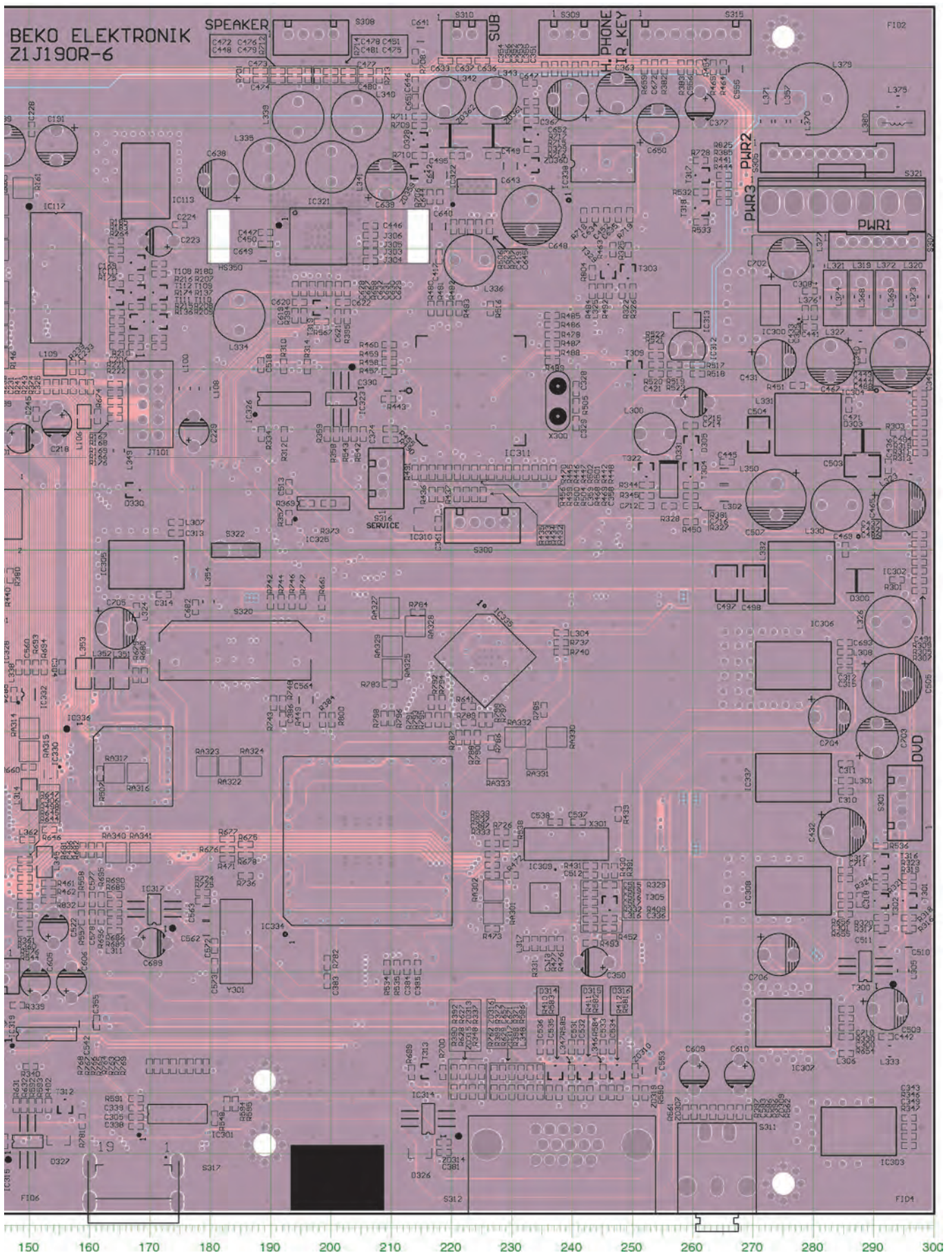
150 160 170 180 190 200 210 220 230 240 250 260 270 280 290 300



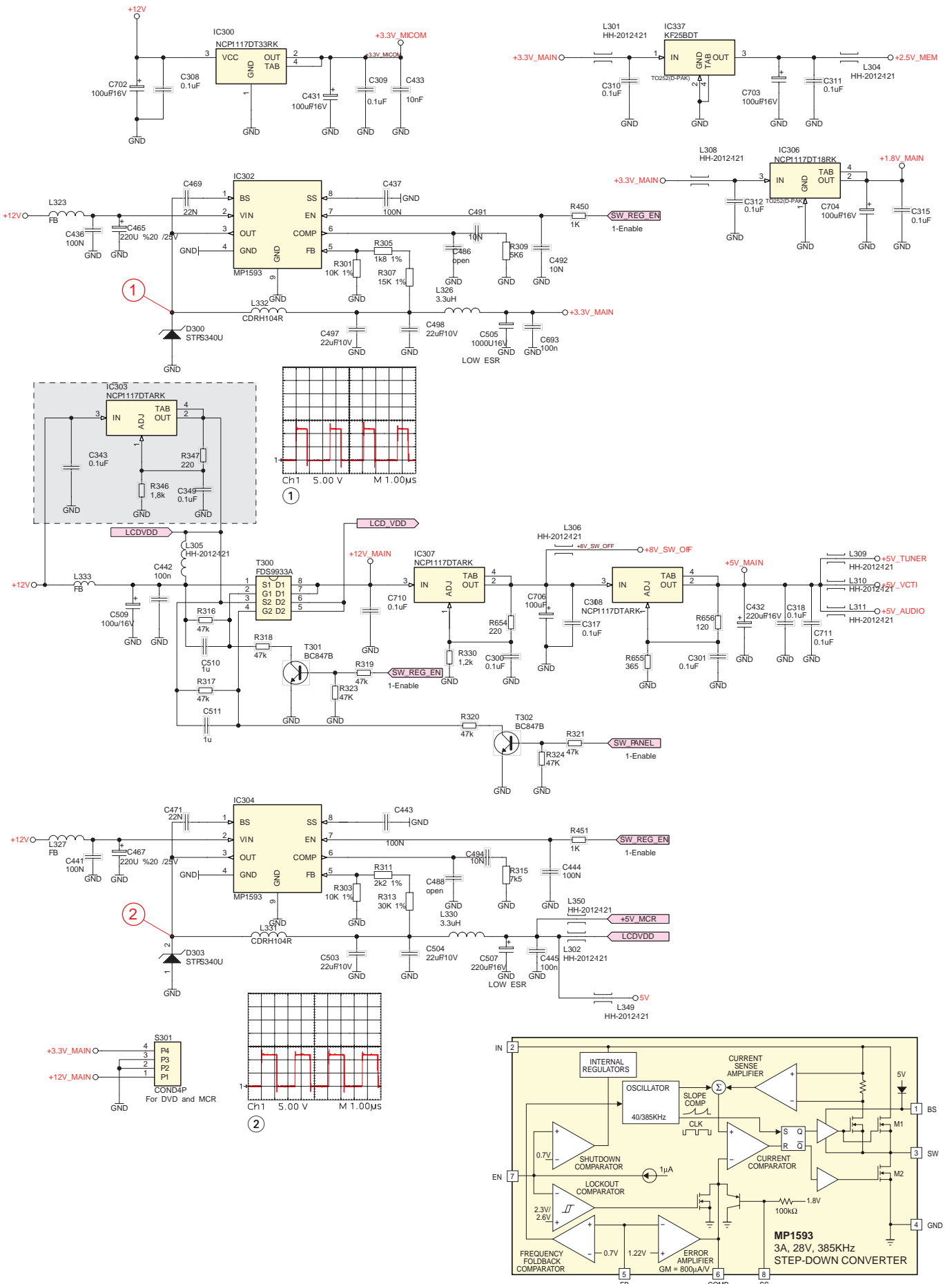
Hauptplatte / Main Board

Ansicht von der Bestückungsseite – DC/GND-Layer
View of Component Side – DC/GND Layer

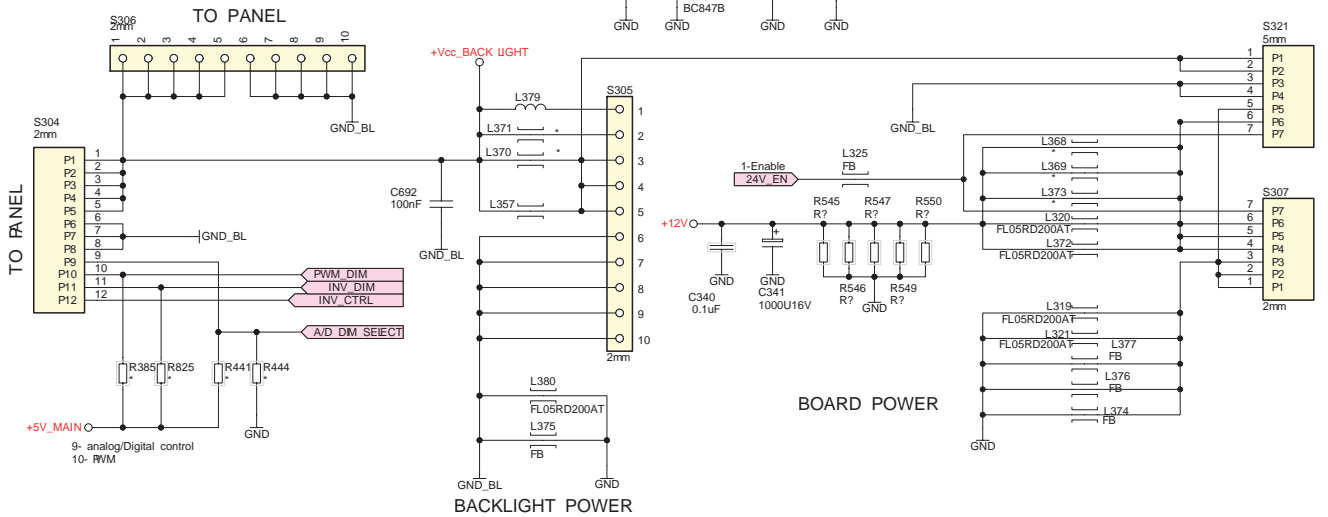
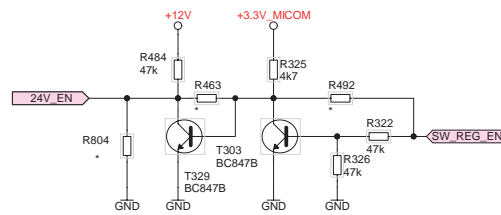
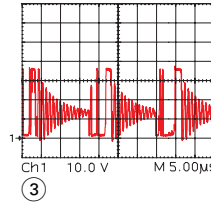
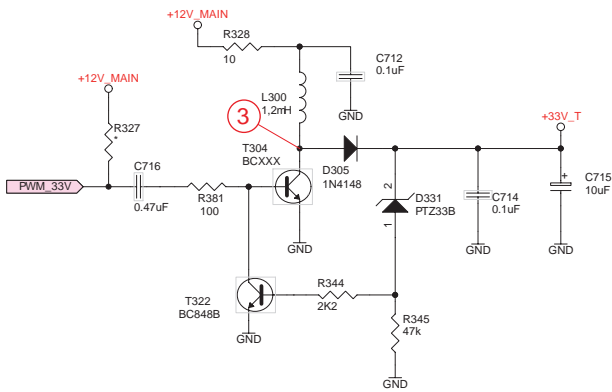
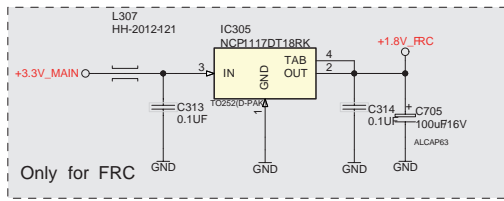




Hauptplatte – Netzteil / Main Board – Power Supply

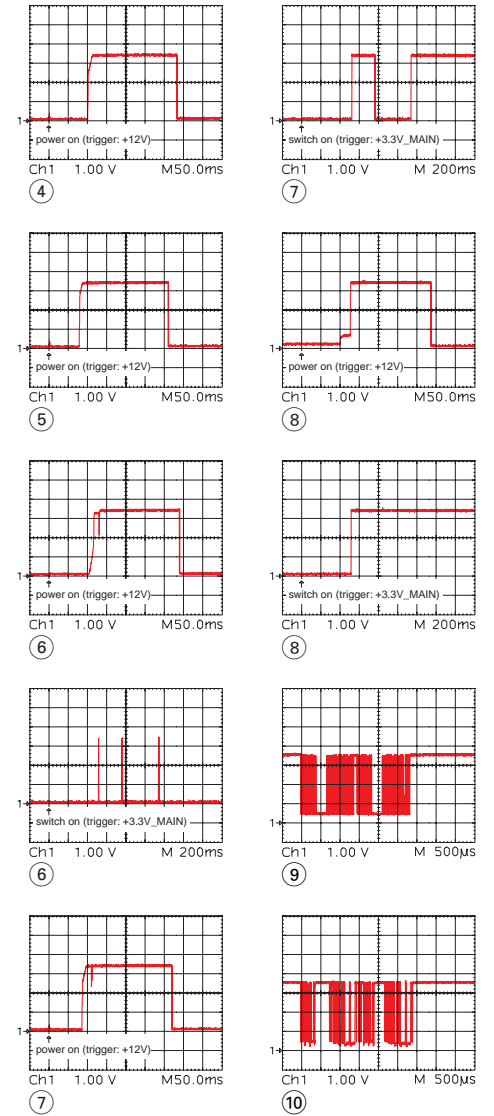
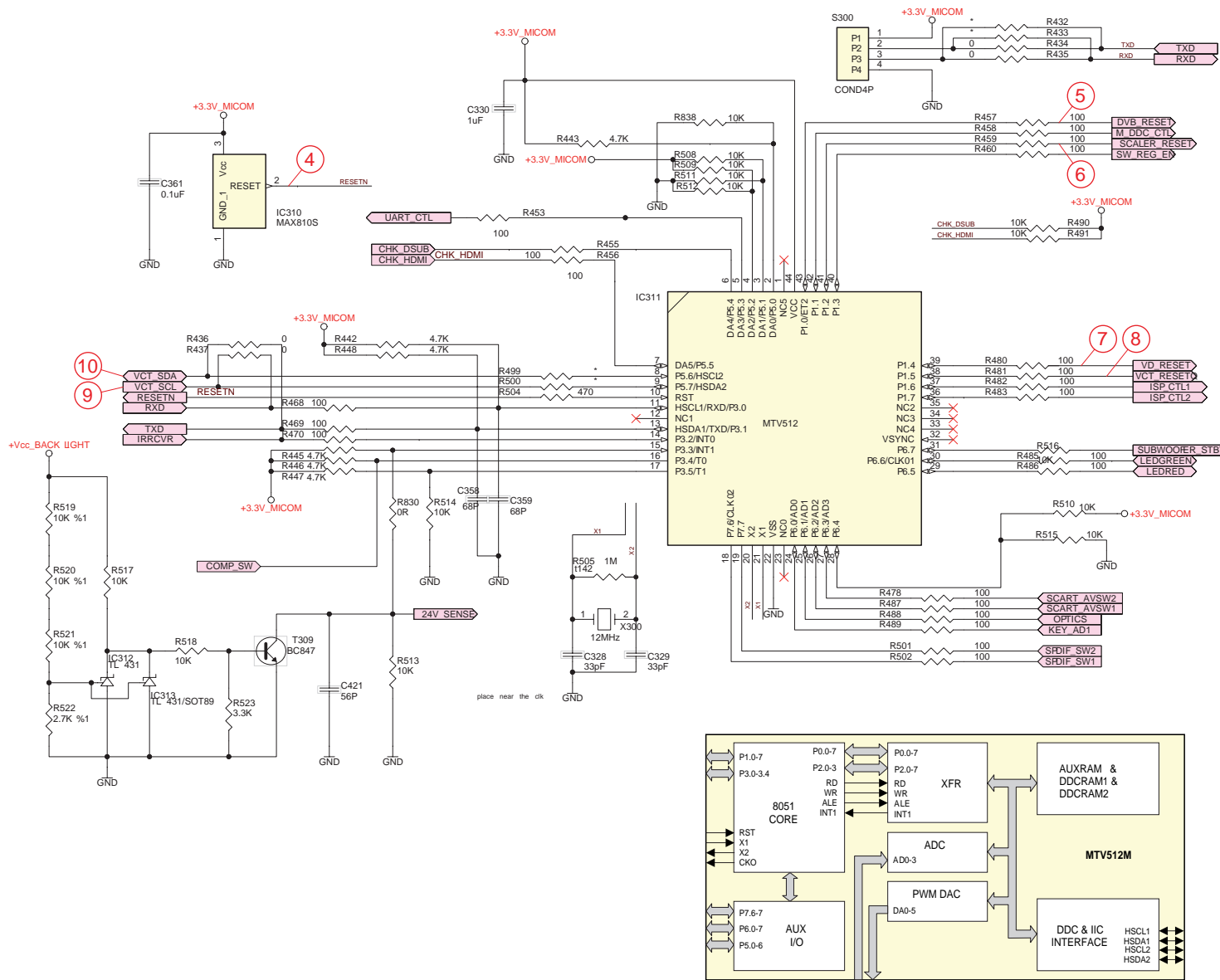


Hauptplatte – Netzteil / Main Board – Power Supply

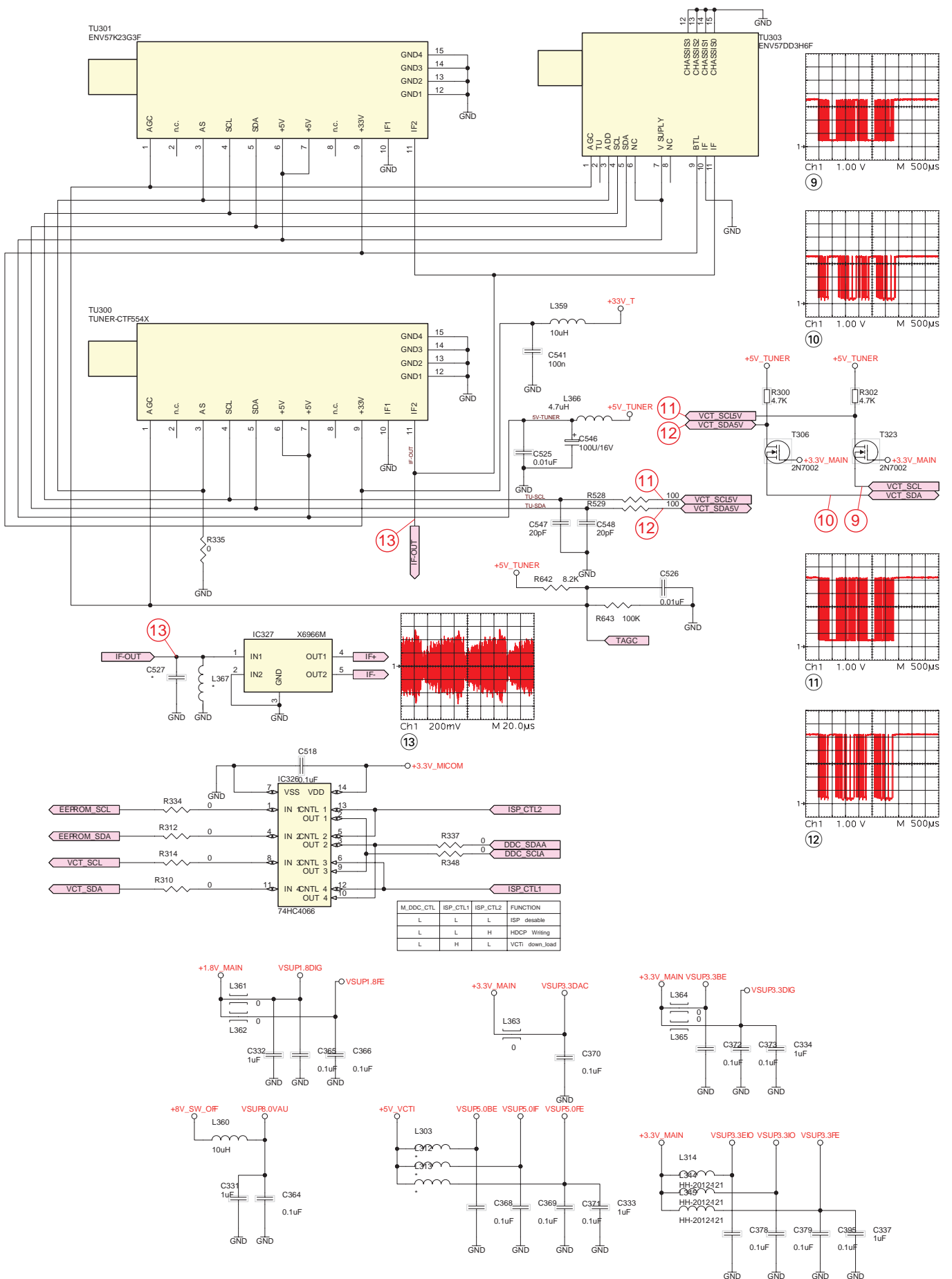


Hauptplatte – Prozessor / Main Board – Processor

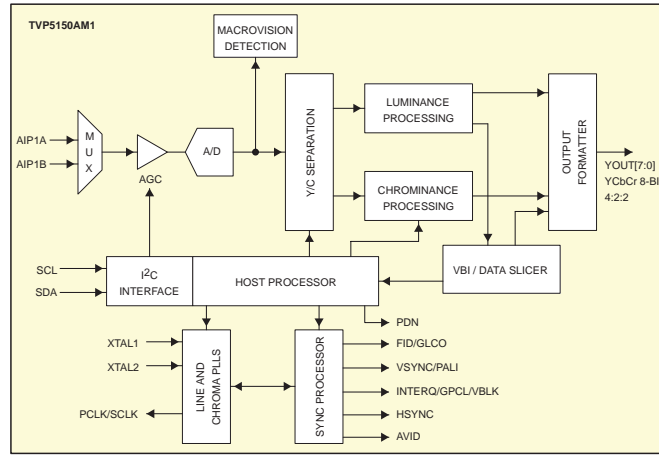
2 - 14



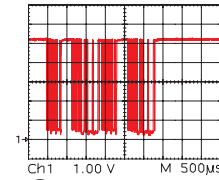
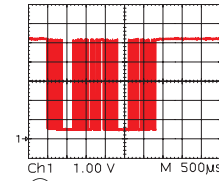
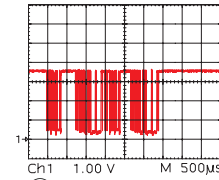
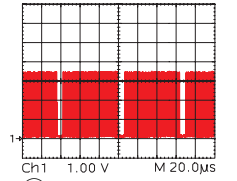
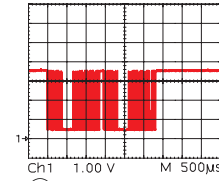
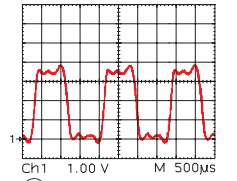
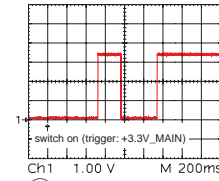
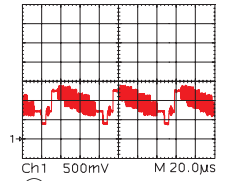
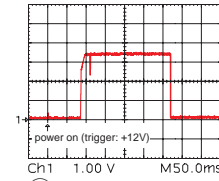
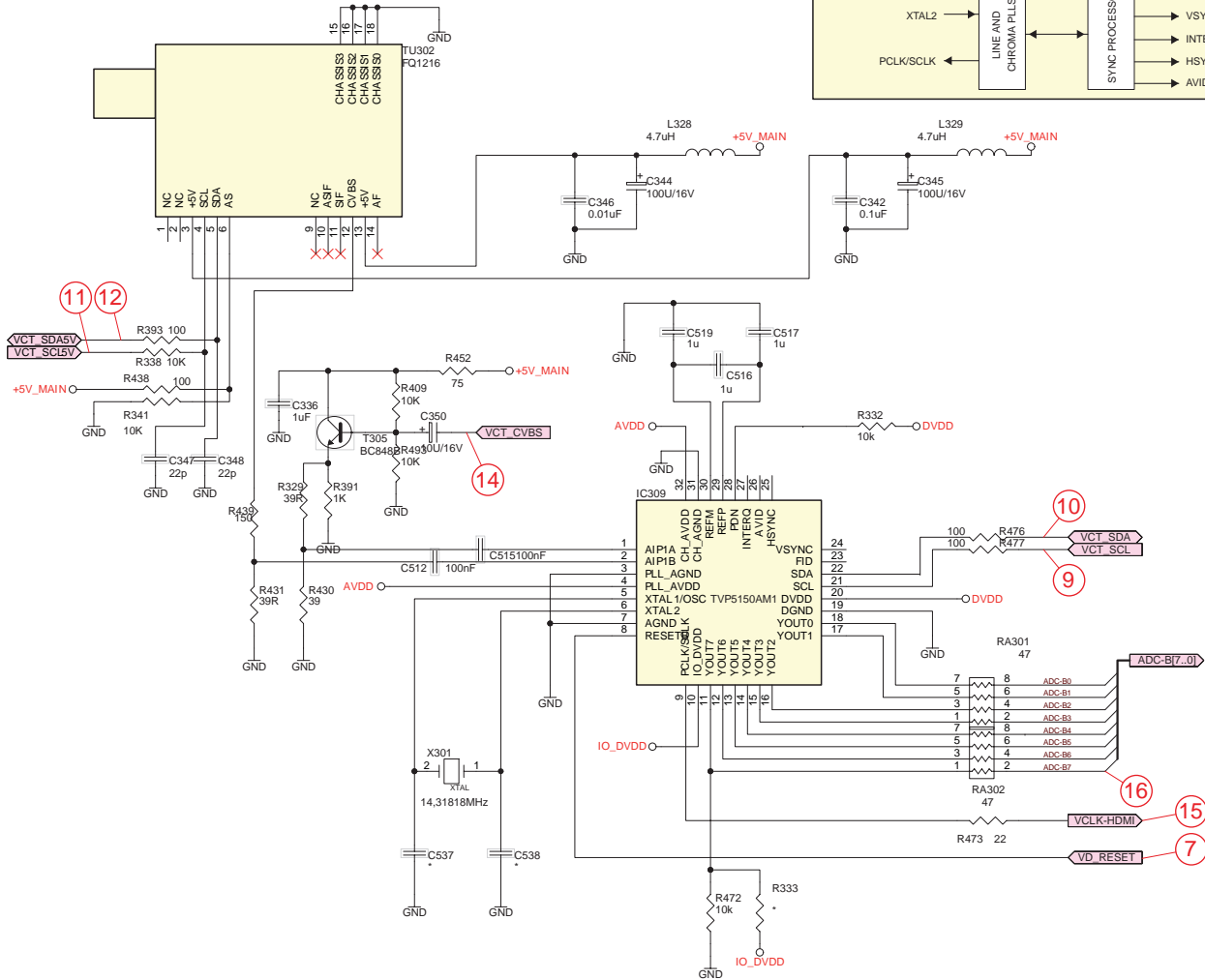
Hauptplatte / Main Board – Tuner



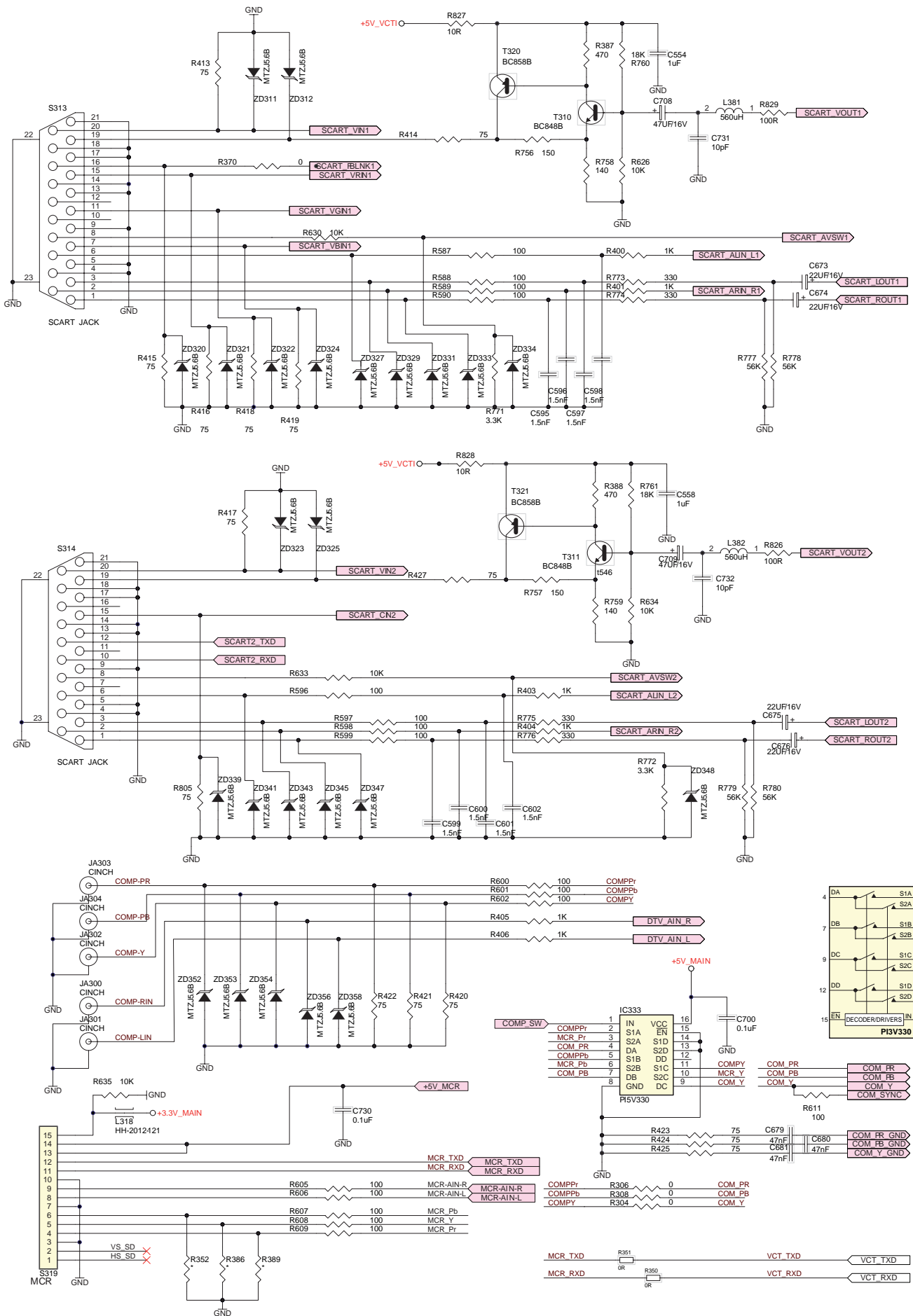
Hauptplatte / Main Board – PIP Tuner



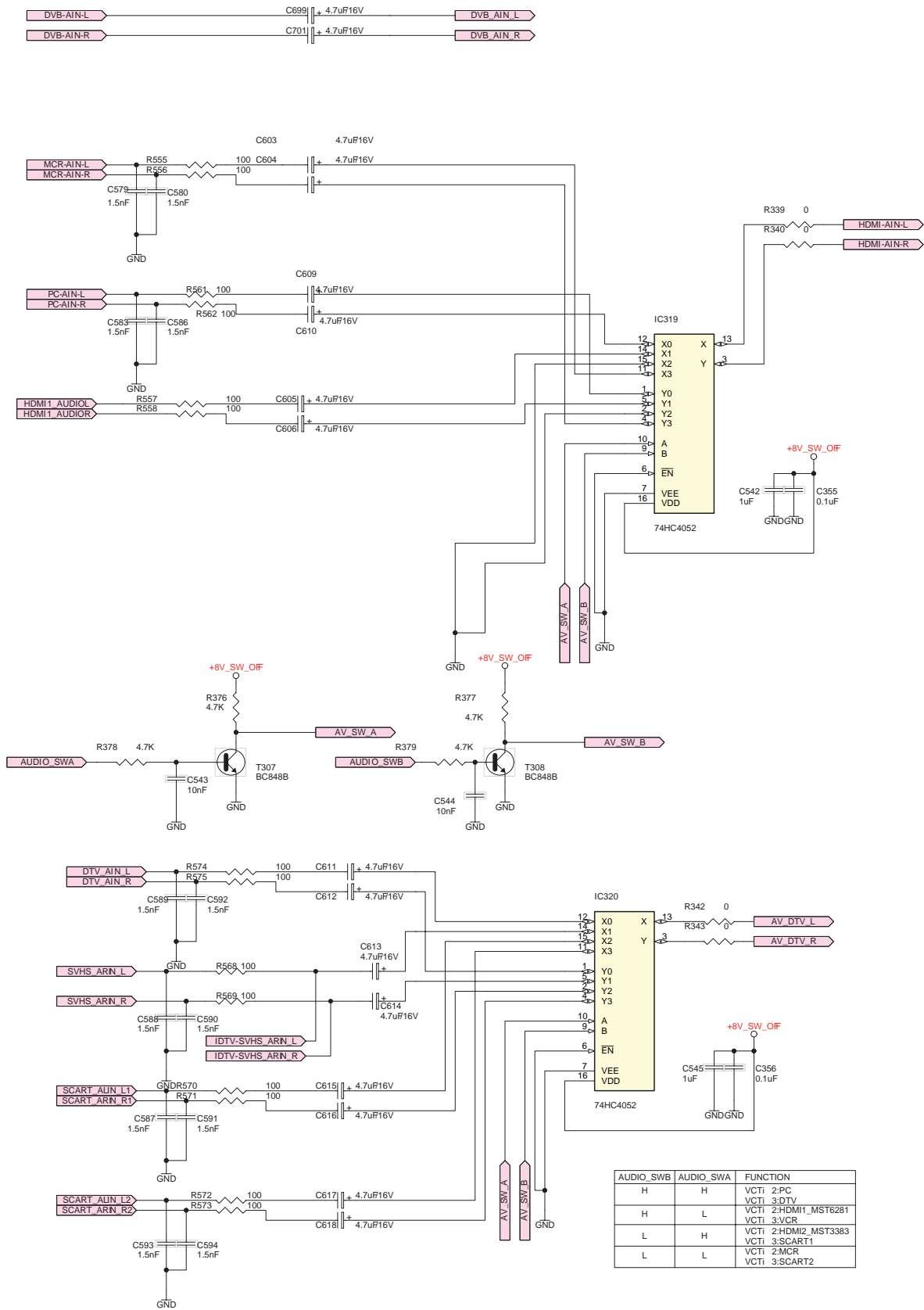
2 - 16



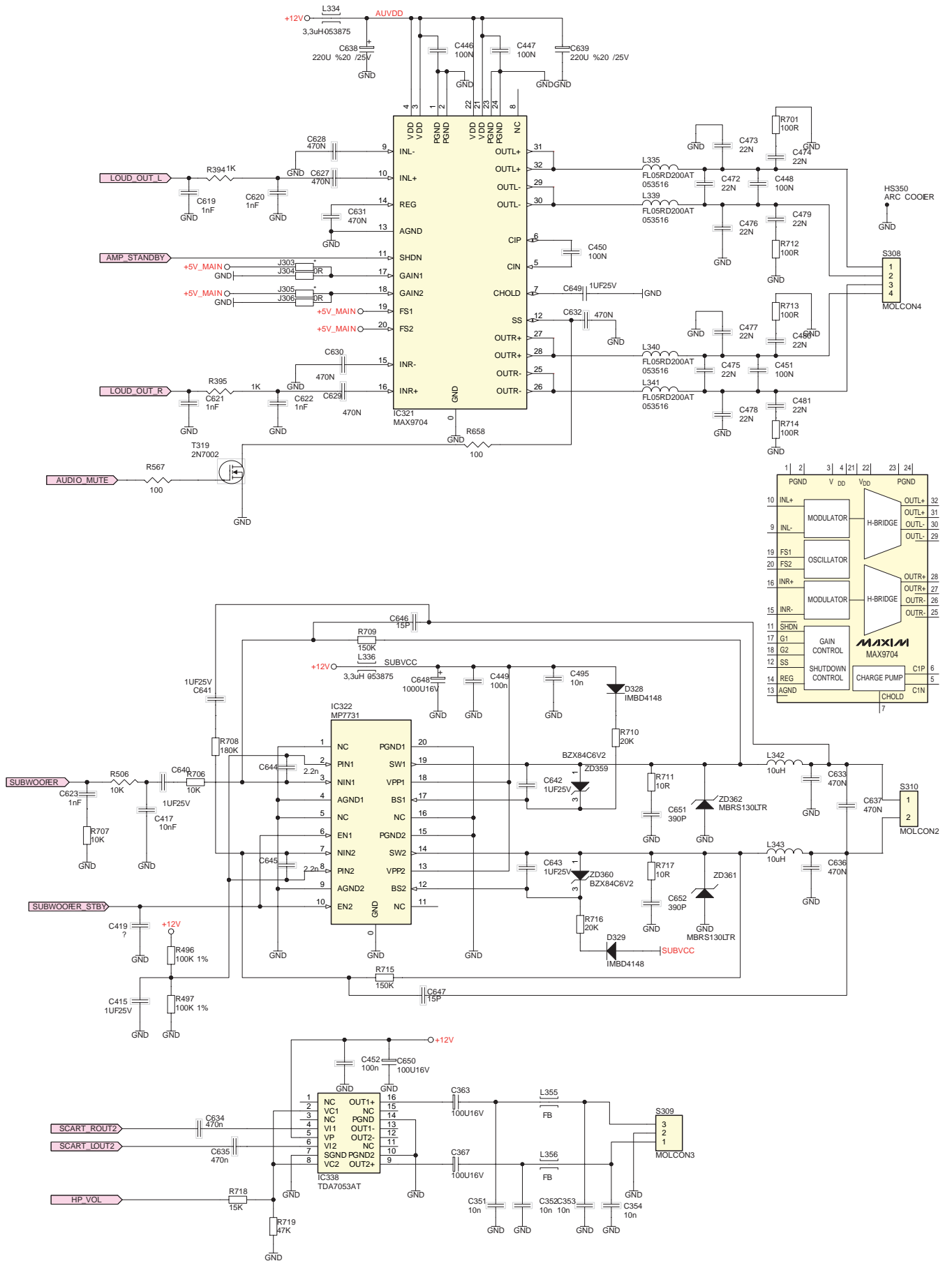
Hauptplatte / Main Board – IN/OUT 2



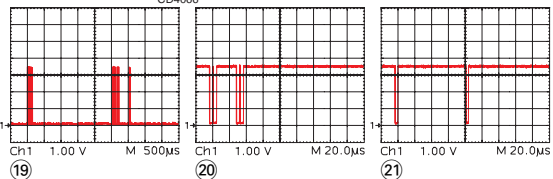
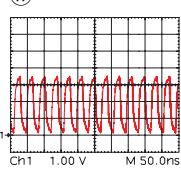
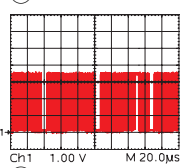
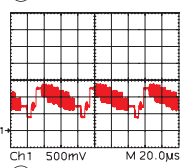
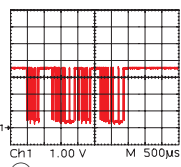
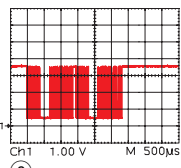
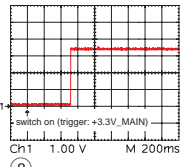
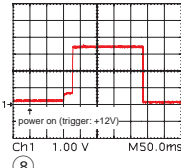
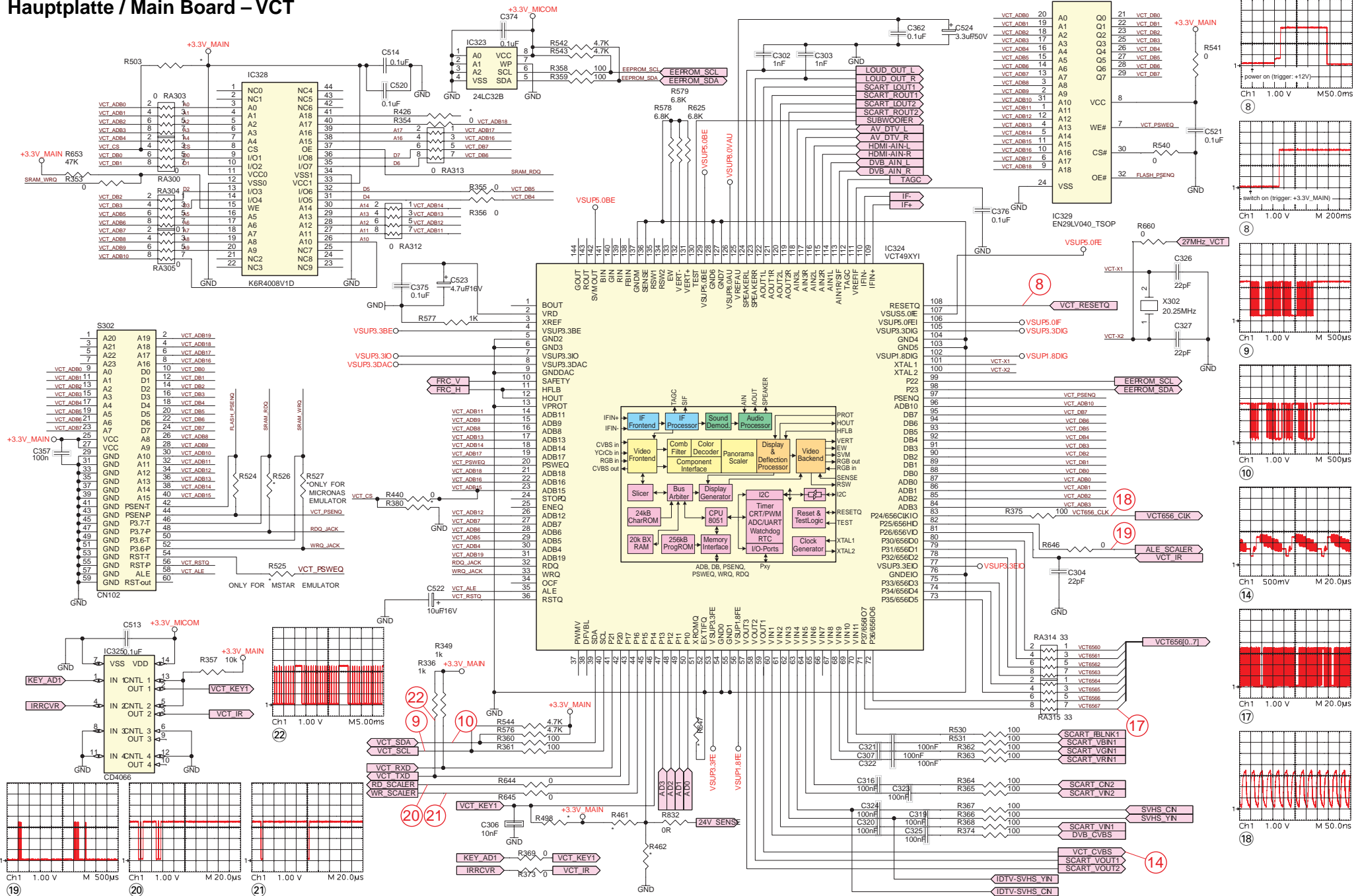
Hauptplatte – Audio-Eingangswahlschalter / Main Board – Audio Input Select Switch



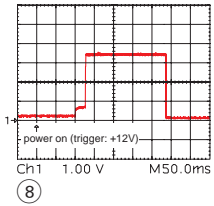
Hauptplatte – Verstärker / Main Board – Amplifier



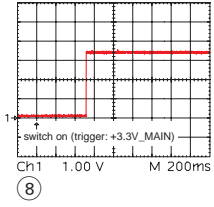
Hauptplatte / Main Board - VCT



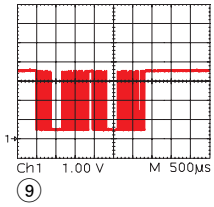
Hauptplatte / Main Board – FRC



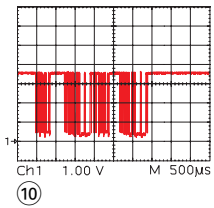
8



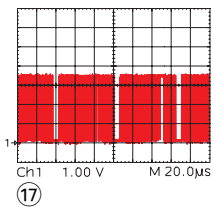
8



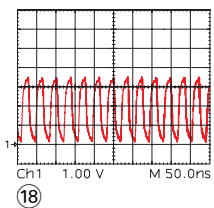
9



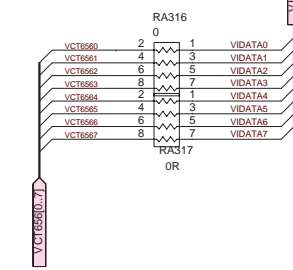
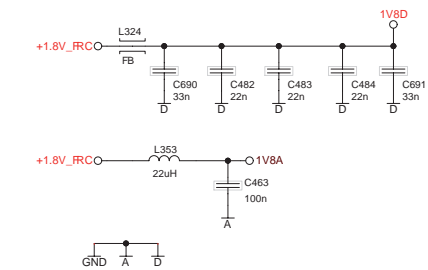
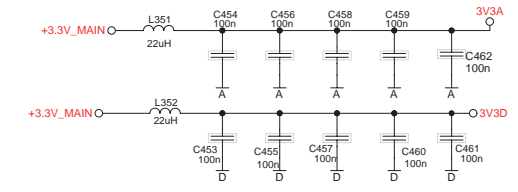
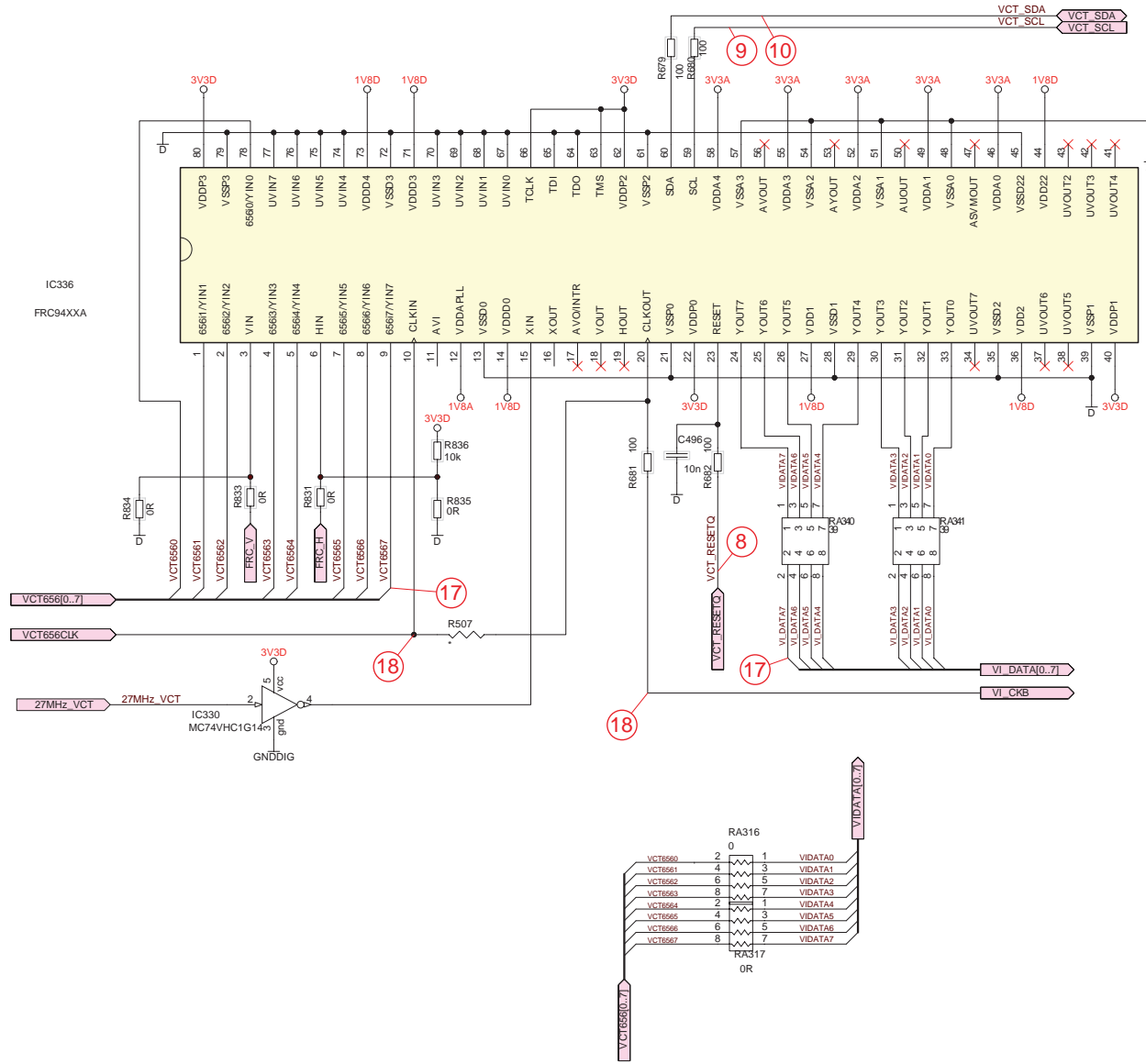
10



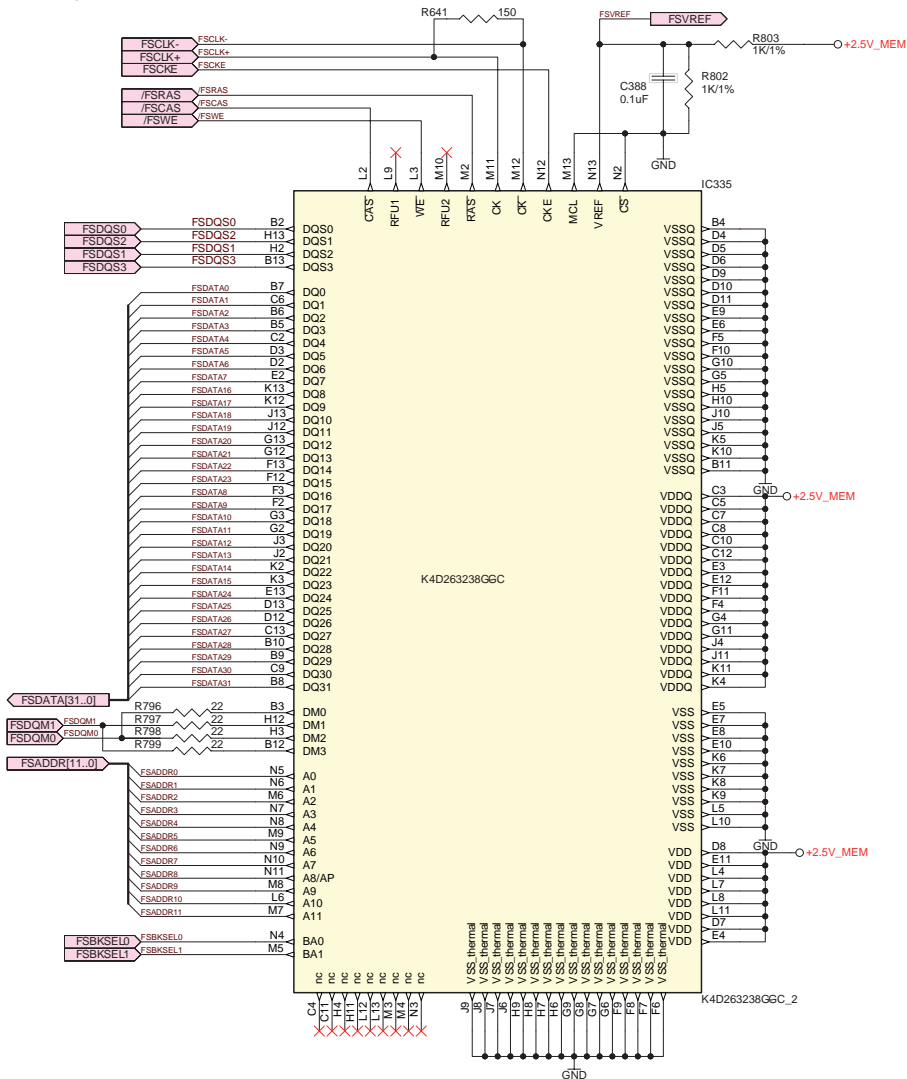
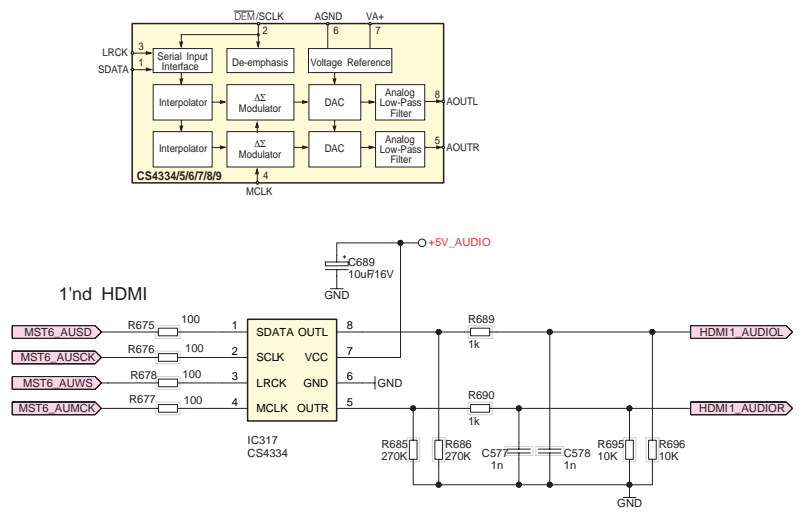
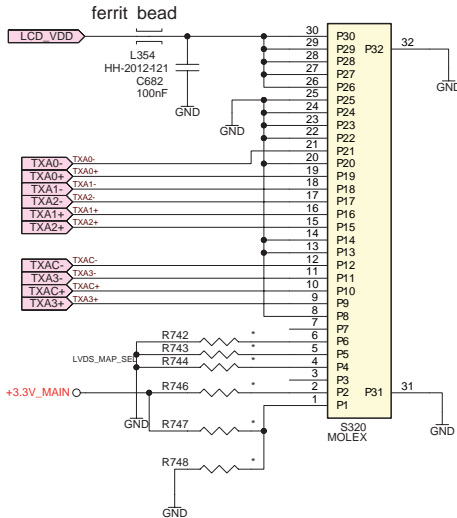
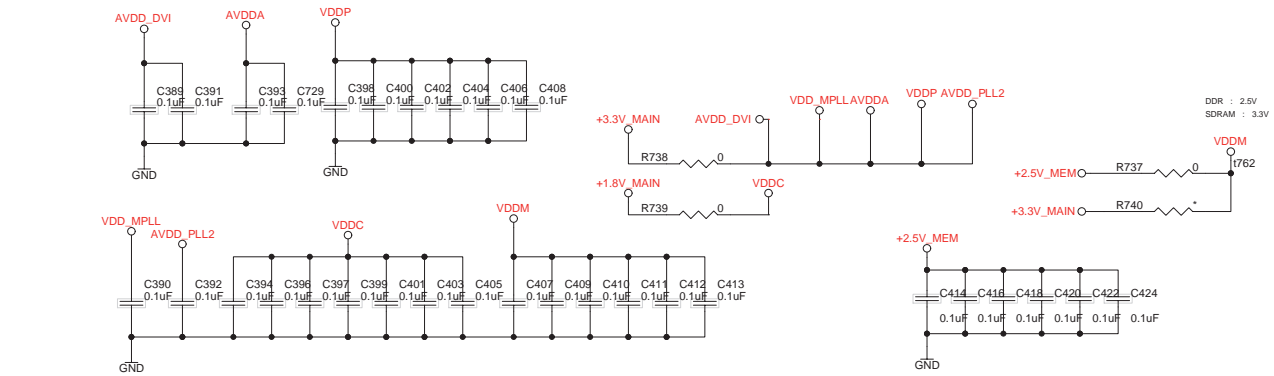
17



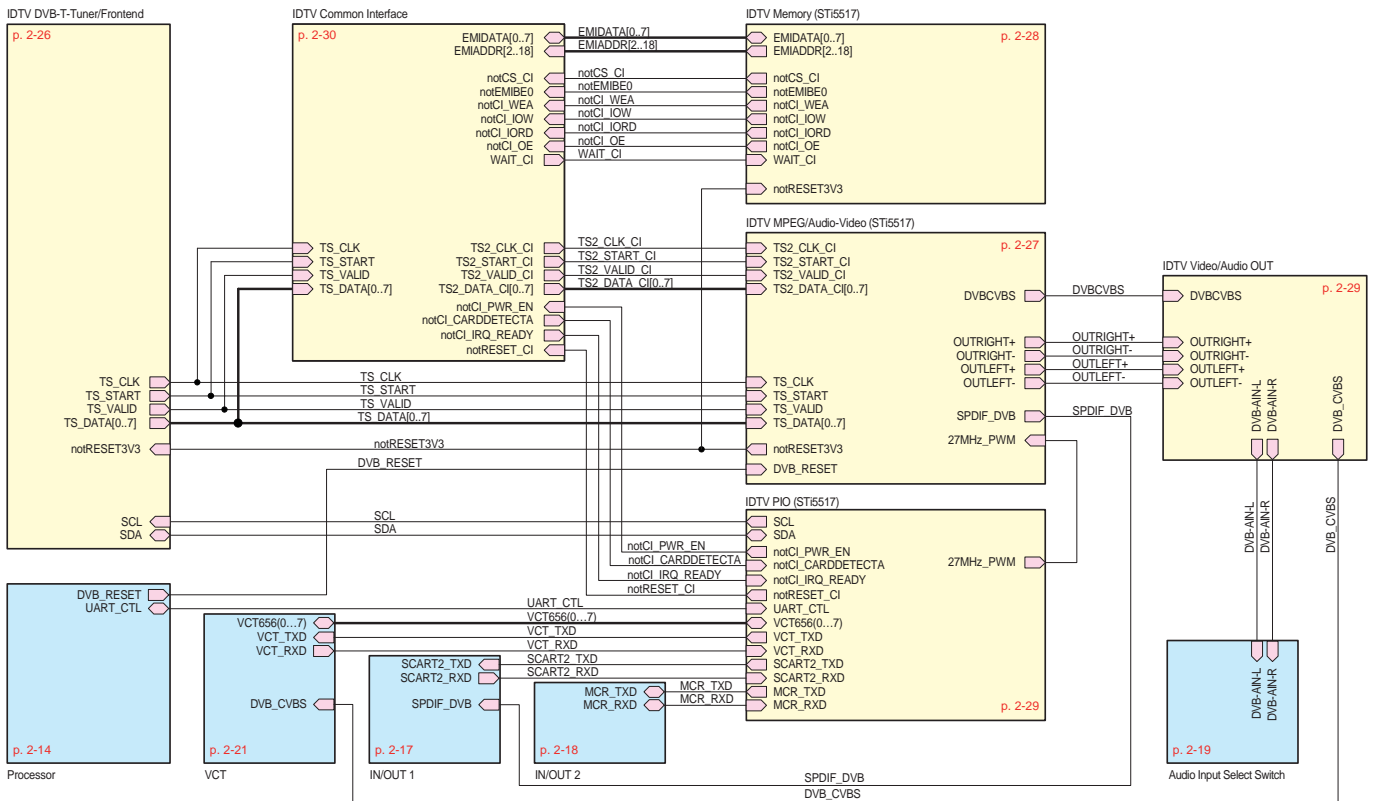
18



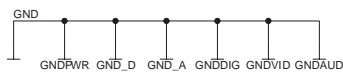
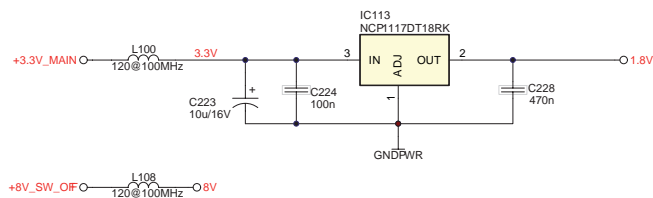
Hauptplatte / Main Board – Scaler



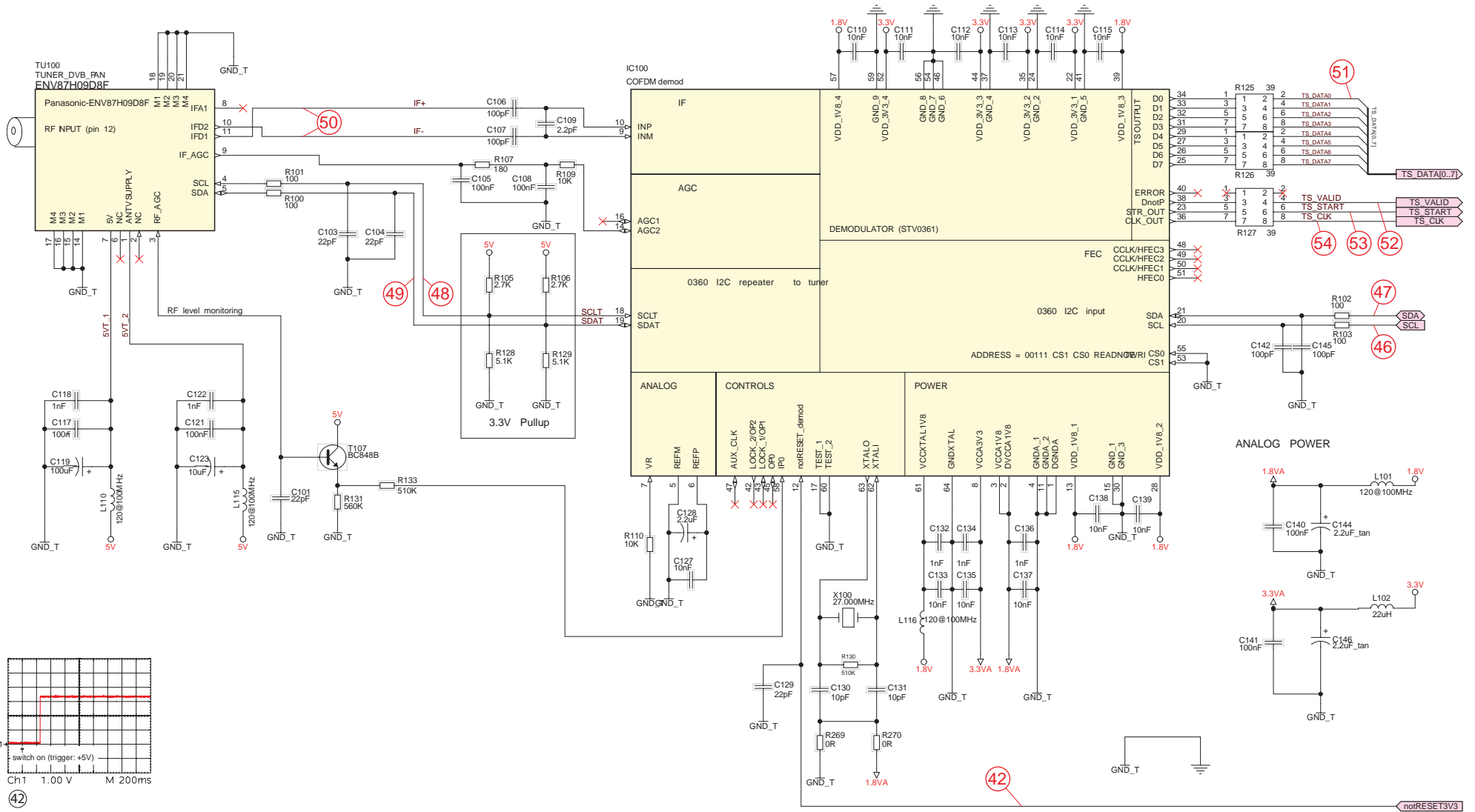
Hauptplatte – IDTV-Übersicht / Main Board – IDTV Overview



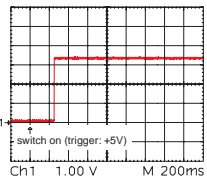
Hauptplatte – IDTV-Netzteil / Main Board – IDTV Power Supply



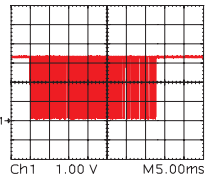
Hauptplatte / Main Board – IDTV DVB-T-Tuner/Frontend



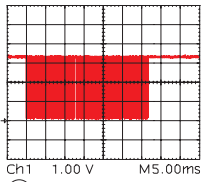
2 - 26



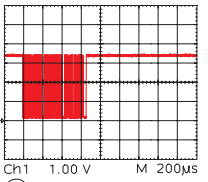
42



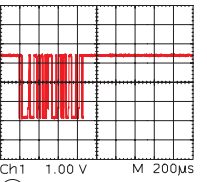
46



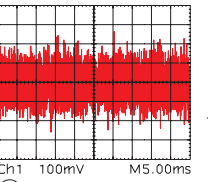
47



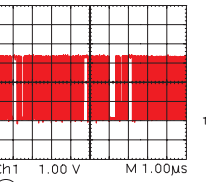
48 Mode: without aerial



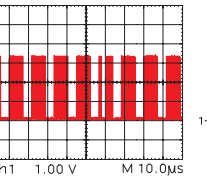
49 Mode: without aerial



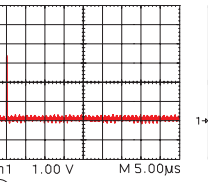
50



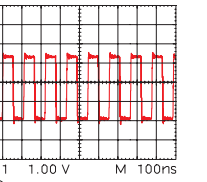
51



52

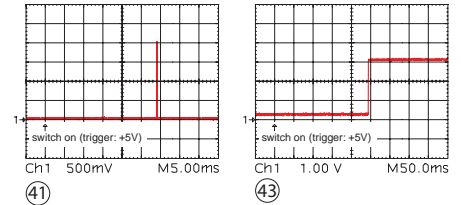
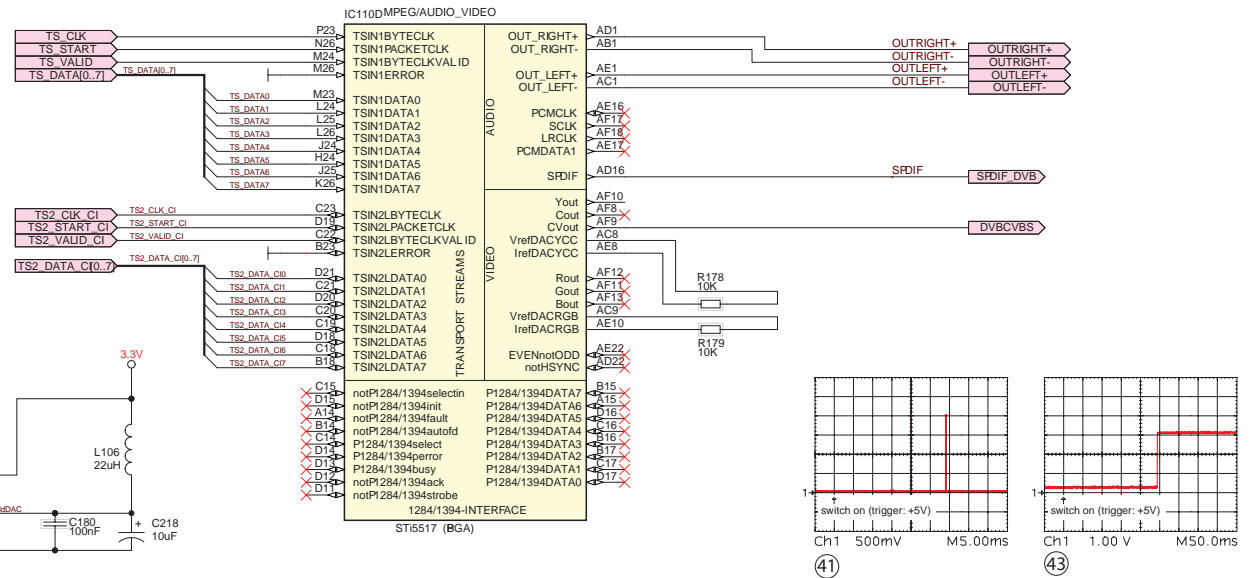
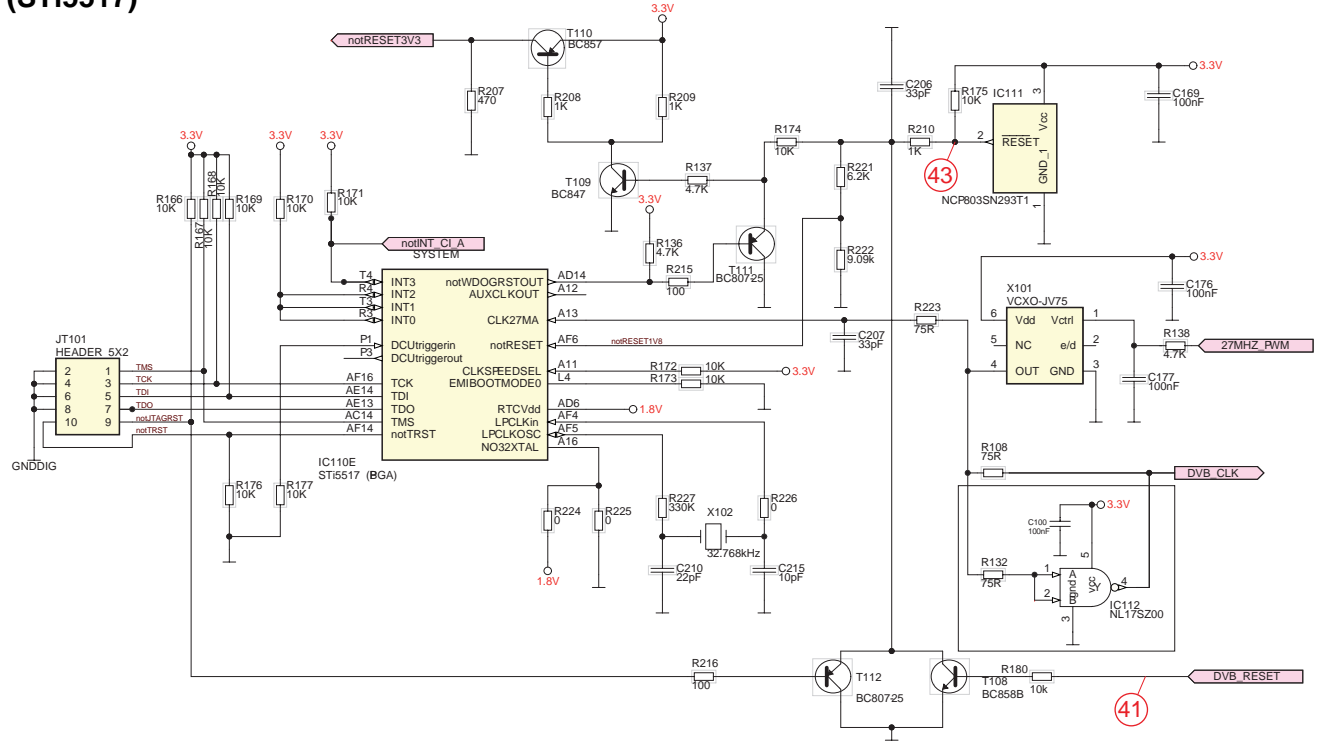
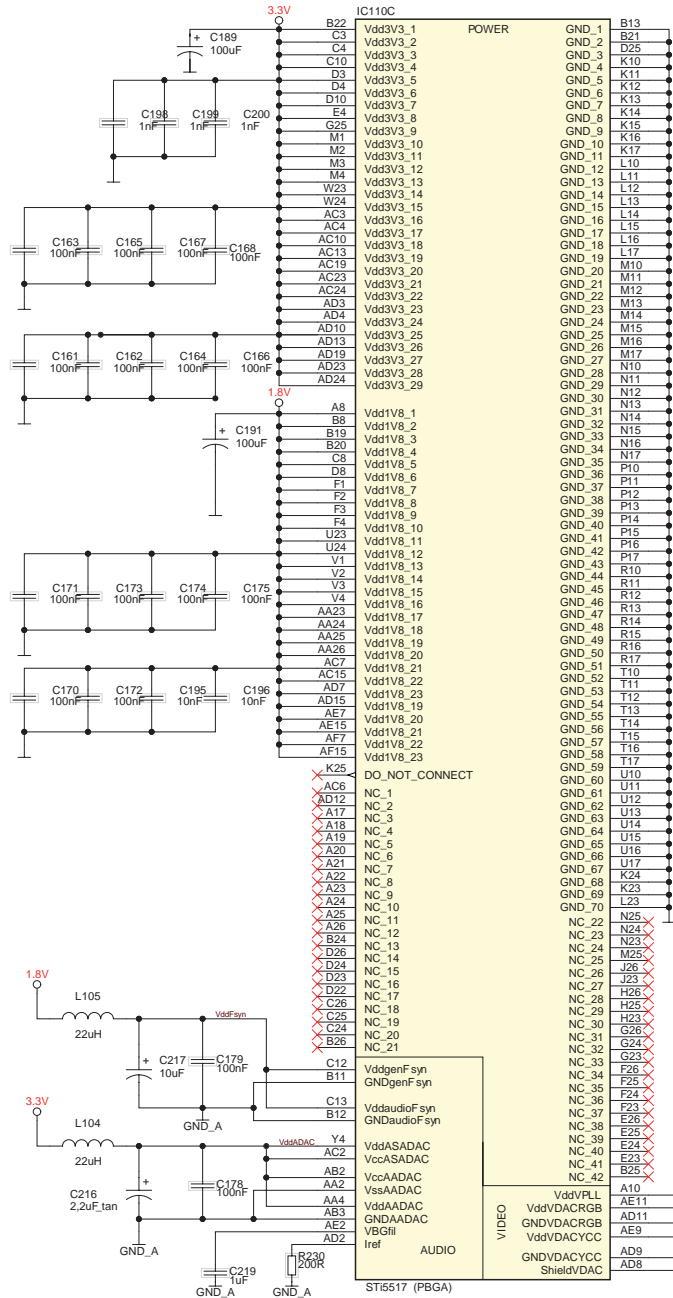


53

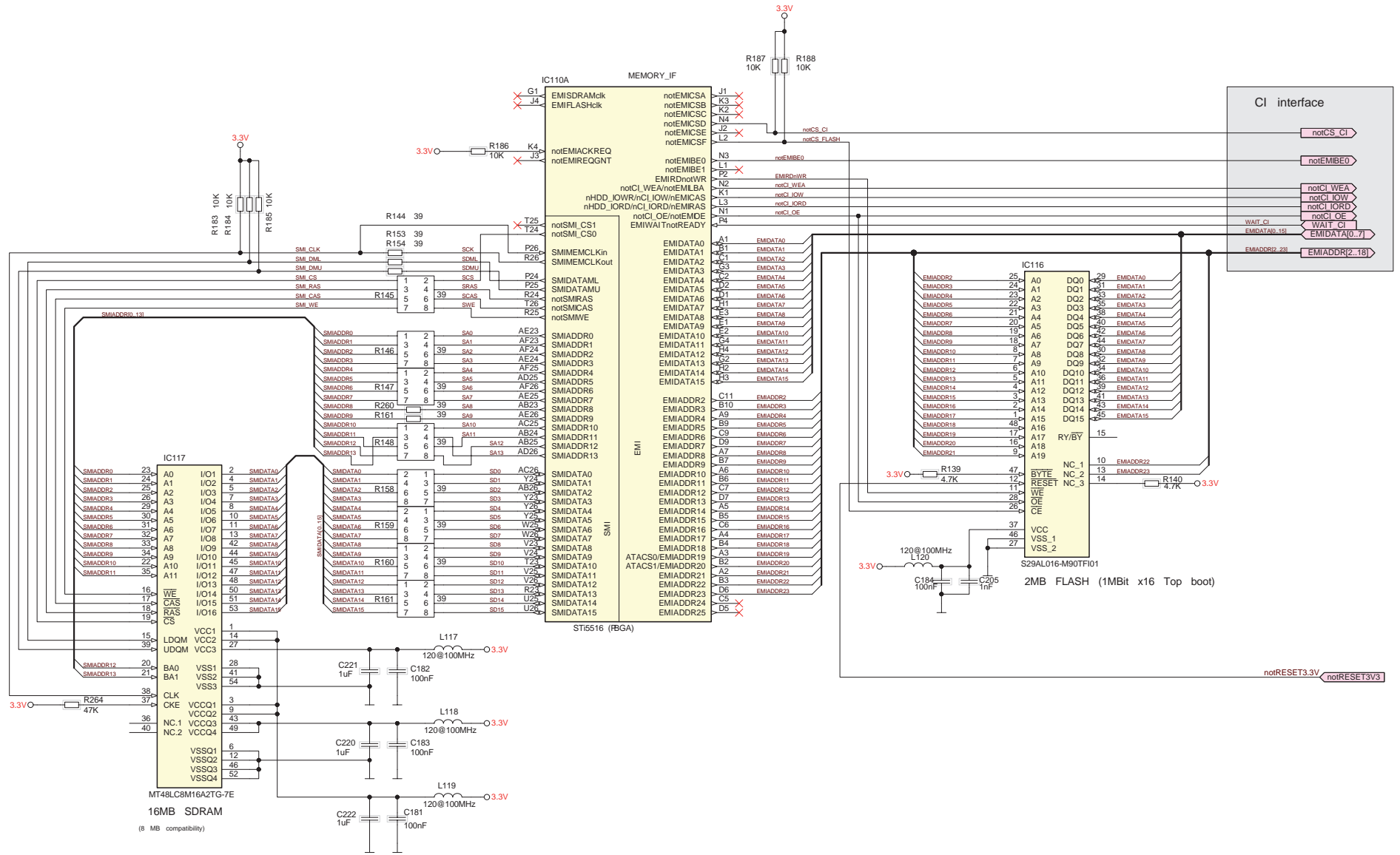


54

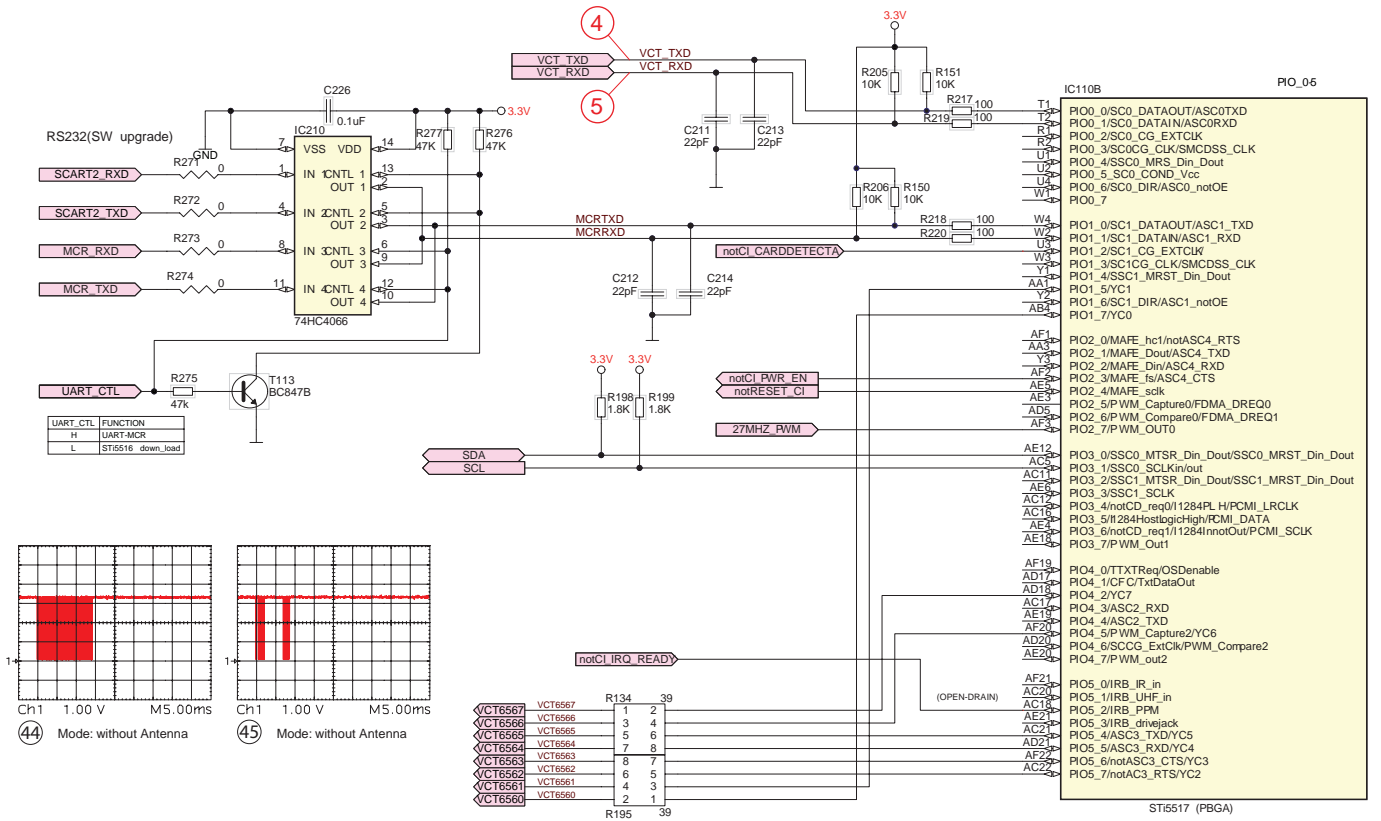
Hauptplatte / Main Board – IDTV MPEG/Audio-Video (STi5517)



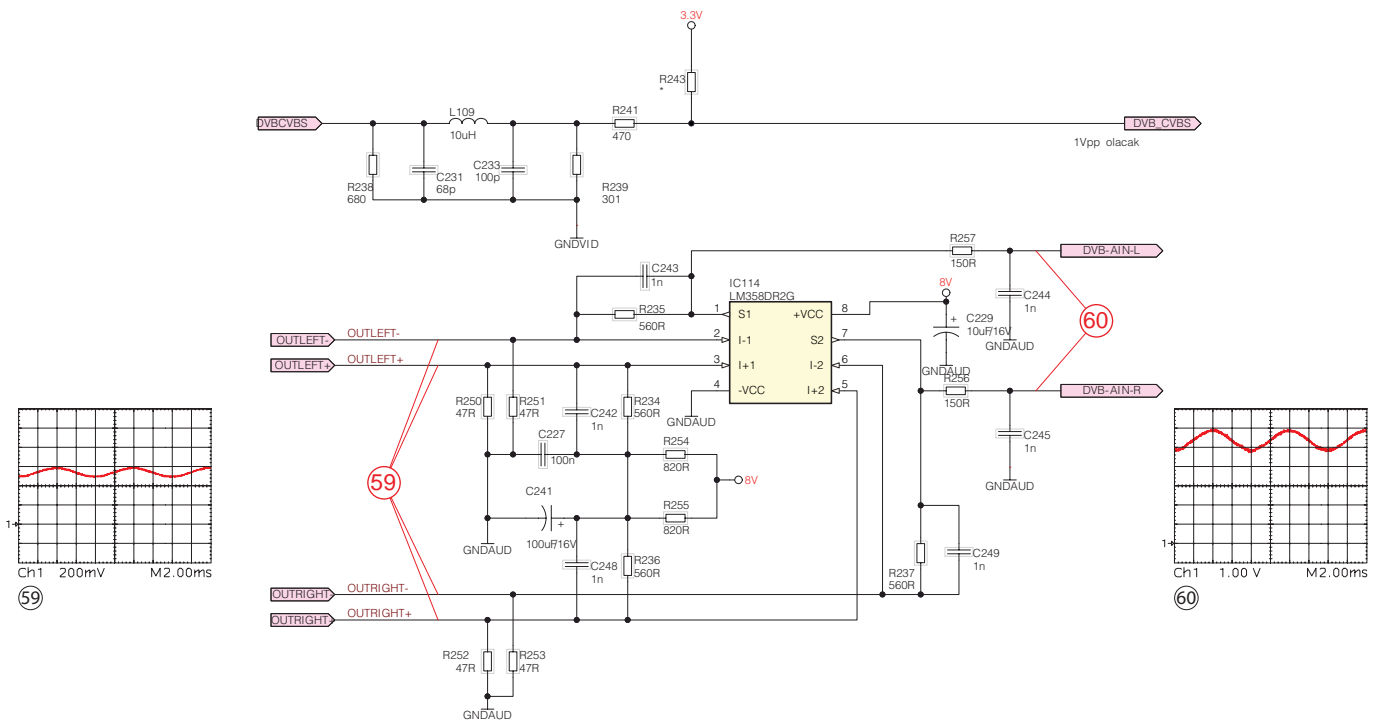
Hauptplatte – IDTV-Speicher / Main Board – IDTV Memory (STi5517)



Hauptplatte / Main Board – IDTV PIO (STi5517)



Hauptplatte / Main Board – IDTV IN/OUT



BESTELL-NR. / ORDER NO.: GBE8900 (M9D)

POS. NR. POS. NO.	ABB. FIG.	MATERIAL-NR. PART NUMBER	ANZ. QTY.	BEZEICHNUNG ①	DESCRIPTION ②
		GBE8900		CINARO 26 LXW 68-6612 REF PRODUKTCODE M9D KEIN E-TEIL	CINARO 26 LXW 68-6612 REF PRODUCT CODE M9D NO SPARE PART
				Hinweis: Sollte in dieser Ersatzteilliste Ihr "Product Code" oder Ihre Display-Variante nicht aufgeführt sein, finden Sie eine aktualisierte Version auf dem GRUNDIG Service-Portal " http://service.grundig.de ".	Note: If your "Product Code" or display variant is not mentioned in the spare parts list, please look for a current version at the GRUNDIG service portal " http://service.grundig.de ".
0001.000		759551269500		GEH.-VORDERTEIL SILBER	FRONT CABINET SILVER
0002.000		759551269400		RUECKWAND SILBER	BACK COVER SILVER
0003.000		759551184100		BUCHSENABDECKUNG SILBER	JACK COVER SILVER
0007.000		759551224700		LAUTSPRECHER 8 OHM 7 W	LOUDSPEAKER 8 OHM 7 W
0010.000	△	759551269300		LCD DISPLAY AU OPT. T260XW02.	LCD DISPLAY AU OPT. T260XW02.
0015.000	△	759550450300		NETZSCHALTER	POWER SWITCH
0016.000		759551232100		KNOPF NETZ SILBER	KNOB POWER SILVER
0018.000		759551232000		KNOPF PROG. / VOL. SILBER	KNOB PROG. / VOL. SILVER
0019.000		759551269700		FUSS SILBER	FOOT SILVER
0025.000	△	275990169400	X	LP-CHASSISMODUL LM	CHASSISBOARD LM
0027.000		720117138500		FERNBEDIENUNG TP 170C SILBER	REMOTE CONTROL TP 170C SILVER
0050.000		275990169500		LP-KOPFHÖRERMODUL (ZS2197)	HEADPHONEBOARD (ZS2197)
0060.000		275990216100		LP-BEDIENMODUL 26L89	CONTROLBOARD 26L89
0070.000	△	275990039200		LP-NETZTEILMODUL SPI 24/6 12/5	POWER SUPPLY BOARD SPI 24/6 12/5
0090.000		759551184500		POLSTER LINKS	CUSHION LEFT
0091.000		759551184600		POLSTER RECHTS	CUSHION RIGHT
0092.000		759551269600		KARTON	CARTON
		720117230500		BEDIENUNGSANLEITUNG D/F,I,S,E,P,PL	INSTRUCTION MANUAL D/F,I,S,E,P,PL
		720100513000		SERVICE MANUAL D/GB	SERVICE MANUAL D/GB
		720108000001		SICHERHEITSMANUAL D/GB/E/F/I	SAFETY SERVICE MANUAL D/GB/E/F/I
				X = SIEHE GESONDERTE E-LISTE	X = SEE SEPARATE PARTS LIST

Es gelten die Vorschriften und Sicherheitshinweise gemäß dem Service Manual "Sicherheit", Mat.-Nummer 720108000001, sowie zusätzlich die eventuell abweichenden, landesspezifischen Vorschriften!



The regulations and safety instructions shall be valid as provided by the "Safety" Service Manual, part number 720108000001, as well as the respective national deviations.

ÄNDERUNGEN VORBEHALTEN / SUBJECT TO ALTERATION

BESTELL-NR. / ORDER NO.: GBE8800 (M9K)

POS. NR. POS. NO.	ABB. FIG.	MATERIAL-NR. PART NUMBER	ANZ. QTY.	BEZEICHNUNG ①	DESCRIPTION ②
		GBE8800		CINARO 32 LXW 82-6612 REF PRODUKTCODE M9K KEIN E-TEIL	CINARO 32 LXW 82-6612 REF PRODUCT CODE M9K NO SPARE PART
				Hinweis: Sollte in dieser Ersatzteilliste Ihr "Product Code" oder Ihre Display-Variante nicht aufgeführt sein, finden Sie eine aktualisierte Version auf dem GRUNDIG Service-Portal " http://service.grundig.de ".	Note: If your "Product Code" or display variant is not mentioned in the spare parts list, please look for a current version at the GRUNDIG service portal " http://service.grundig.de ".
0001.000		759551267100		GEH.-VORDERTEIL SCHWARZ	FRONT CABINET BLACK
0002.000		759551266900		RUECKWAND SILBER	BACK COVER SILVER
0003.000		759551267000		ABDECKUNG SCART	SCART COVER
0007.000		759551266800		LAUTSPRECHER 8 OHM 10W	LOUDSPEAKER 8 OHM 10W
0010.000	△	759551267500		LCD DISPLAY T315XW01-V5 *	LCD DISPLAY T315XW01-V5 *
0010.000	△	759551307300		LCD DISPLAY QUANTA QD32HL03-REV1 **	LCD DISPLAY QUANTA QD32HL03-REV1 **
0015.000	△	759550450300		NETZSCHALTER	POWER SWITCH
0016.000		759551232000		KNOPF NETZ SILBER	KNOB POWER SILVER
0018.000		759551232100		KNOPF PROG./VOL. SILBER	KNOB PROG./VOL. SILVER
0019.000		759551267300		FUSS	FOOT
0021.000		759551267600		KABEL PANEL-INTERFACE *	CABLE PANEEL-INTERFACE *
0021.000		759551307400		KABEL PANEL-INTERFACE (QD) **	CABLE PANEEL-INTERFACE (QD) **
0025.000	△	275990169000	X	LP-CHASSISMODUL LM *	CHASSISBOARD LM *
0025.000	△	275990185000	X	LP-CHASSISMODUL LM **	CHASSISBOARD LM **
0028.000		720117138500		FERNBEDIENUNG TP 170 C SILBER	REMOTE CONTROL TP 170 C SILVER
0050.000		275990169500		LP-KOPFHÖRERMODUL (ZS2197)	HEAD PHONE BOARD (ZS2197)
0060.000		275990039100		LP-BEDIENMODUL 32L97L5A	CONTROLBOARD 32L97L5A
0070.000	△	275990037300		LP-NETZTEILMODUL SPI24/6 12/5 *	POWER SUPPLY BOARD SPI24/6 12/5 *
0070.000	△	275990039600		LP-NETZTEILMODUL SPI24/6 12/5 **	POWER SUPPLY BOARD SPI24/6 12/5 **
0090.000		759551201400		POLSTER LINKS	CUSHION LEFT
0091.000		759551221500		POLSTER RECHTS	CUSHION RIGHT
0092.000		759551267200		KARTON	CARTON
		720117230500		BEDIENUNGSANLEITUNG D/F/I/S/E/P/PL	INSTRUCTION MANUAL D/F/I/S/E/P/PL
		720100513000		SERVICE MANUAL D/GB	SERVICE MANUAL D/GB
		720108000001		SICHERHEITSMANUAL D/GB/E/F/I	SAFETY SERVICE MANUAL D/GB/E/F/I
				X = SIEHE GESONDERTE E-LISTE	X = SEE SEPARATE PARTS LIST
				* = AU OPTRONICS DISPLAY	* = AU OPTRONICS DISPLAY
				** = QUANTA DISPLAY	** = QUANTA DISPLAY

Es gelten die Vorschriften und Sicherheitshinweise gemäß dem Service Manual "Sicherheit", Mat.-Nummer 720108000001, sowie zusätzlich die eventuell abweichenden, landesspezifischen Vorschriften!



The regulations and safety instructions shall be valid as provided by the "Safety" Service Manual, part number 720108000001, as well as the respective national deviations.

ÄNDERUNGEN VORBEHALTEN / SUBJECT TO ALTERATION

Ersatzteilliste
Spare Parts List

NUR FÜR INTERNEN GEBRAUCH
FOR INTERNAL USE ONLY

TV

11 / 2006

LENARO 27 LXW 70-7731 IDTV

BESTELL-NR. / ORDER NO.: GBF5400 (BBT)
BESTELL-NR. / ORDER NO.: GBF6900 (BHQ)

POS. NR. POS. NO.	ABB. FIG.	MATERIAL-NR. PART NUMBER	ANZ. QTY.	BEZEICHNUNG (D)	DESCRIPTION (GB)
		GBF5400		LENARO 27 LXW 70-7731 IDTV * PRODUKTCODE BBT KEIN E-TEIL	LENARO 27 LXW 70-7731 IDTV * PRODUCT CODE BBT NO SPARE PART
		GBF6900		LENARO 27 LXW 70-7731 IDTV ** PRODUKTCODE BHQ KEIN E-TEIL	LENARO 27 LXW 70-7731 IDTV ** PRODUCT CODE BHQ NO SPARE PART
				Hinweis: Sollte in dieser Ersatzteilliste Ihr "Product Code" oder Ihre Display-Variante nicht aufgeführt sein, finden Sie eine aktualisierte Version auf dem GRUNDIG Service-Portal " http://service.grundig.de ".	Note: If your "Product Code" or display variant is not mentioned in the spare parts list, please look for a current version at the GRUNDIG service portal " http://service.grundig.de ".
0001.000		759551323700		GEH.-VORDERTEIL SILBER	FRONT CABINET SILVER
0002.000		759551323300		RUECKWAND SILBER	BACK COVER SILVER
0003.000		759551323400		BUCHSENABDECKUNG SILBER	JACK COVER SILVER
0007.000		759551224700		LAUTSPRECHER 8 OHM 7 W	LOUDSPEAKER 8 OHM 7 W
0008.000		759551296700		HOCHTONLAUTSPRECHER 8 OHM 12/15W	TWEETER 8 OHM 12/15W
0010.000	△	759551255000		LCD-DISPLAY CHIMEI V270W1-L04 *	LCD-DISPLAY CHIMEI V270W1-L04 *
0010.000	△	759551324000		LCD-DISPLAY CHIMEI V270B1-L03 **	LCD-DISPLAY CHIMEI V270B1-L03 **
0015.000	△	759551222300		NETZSCHALTER SDKLA11000 5A 2P	POWER SWITCH SDKLA11000 5A 2P
0016.000		759551281500		KNOPF NETZ SILBER	KNOB POWER SILVER
0018.000		759551281600		KNOPF PROG./VOL. SILBER	KNOB PROG./VOL. SILVER
0019.000		759551323900		FUSS SILBER	FOOT SILVER
0021.000		759551284400		KABEL DISPLAY-LVDS	CABLE DISPLAY-LVDS
0025.000	△	275990187500	X	LP-CHASSISMODUL LM *	CHASSISBOARD LM *
0025.000	△	275990187600	X	LP-CHASSISMODUL LM **	CHASSISBOARD LM **
0027.000		720117139100		FERNBEDIENUNG TP 170C SCHWARZ	REMOTE CONTROL TP 170C BLACK
0030.000		275990215000		LP-BEDIENMODUL ZV6191-10	CONTROLBOARD ZV6191-10
0040.000		275990219100		LP-IR-MODUL	IR-BOARD
0050.000		275990216600		LP-KOPFHOERERMODUL (8R9198)	HEADPHONE BOARD (8R9198)
0060.000		275990216800		LP-SIDE/AV MODUL	SIDE/AV BOARD
0070.000	△	275990039600		LP-NETZTEILMODUL SPI 24/6 12/5 3POL	POWER SUPPLY BOARD SPI 24/6 12/5 3POL
0075.000	△	275990037600		LP-POWER SWITCH MODUL	POWER SWITCH BOARD
0090.000		759551323500		POLSTER RECHTS	CUSHION RIGHT
0091.000		759551323600		POLSTER LINKS	CUSHION LEFT
0092.000		759551323800		KARTON	CARTON
		720117254500		BEDIENUNGSANLEITUNG D,I,E,CZ	INSTRUCTION MANUAL D,I,E,CZ
		720100513000		SERVICE MANUAL D/GB	SERVICE MANUAL D/GB
		720108000001		SICHERHEITSMANUAL D/GB/E/F/I	SAFETY SERVICE MANUAL D/GB/E/F/I
				X = SIEHE GESONDERTE E-LISTE	X = SEE SEPARATE PARTS LIST
				* = DISPLAY CHIMEI V270W1-L04	* = DISPLAY CHIMEI V270W1-L04
				** = DISPLAY CHIMEI V270B1-L03	** = DISPLAY CHIMEI V270B1-L03

Es gelten die Vorschriften und Sicherheitshinweise gemäß dem Service Manual "Sicherheit", Mat.-Nummer 720108000001, sowie zusätzlich die eventuell abweichenden, landesspezifischen Vorschriften!



The regulations and safety instructions shall be valid as provided by the "Safety" Service Manual, part number 720108000001, as well as the respective national deviations.

ÄNDERUNGEN VORBEHALTEN / SUBJECT TO ALTERATION

Ersatzteilliste
Spare Parts List

NUR FÜR INTERNEN GEBRAUCH
FOR INTERNAL USE ONLY

TV

7 / 2006

LENARO 27 LXW 70-8630 IDTV

BESTELL-NR. / ORDER NO.: GBD7400 (AHW)

POS. NR. POS. NO.	ABB. FIG.	MATERIAL-NR. PART NUMBER	ANZ. QTY.	BEZEICHNUNG (D)	DESCRIPTION (GB)
		GBD7400		LENARO 27 LXW 70-8630 IDTV PRODUKTCODE AHW KEIN E-TEIL	LENARO 27 LXW 70-8630 IDTV PRODUCT CODE AHW NO SPARE PART
				Hinweis: Sollte in dieser Ersatzteilliste Ihr "Product Code" oder Ihre Display-Variante nicht aufgeführt sein, finden Sie eine aktualisierte Version auf dem GRUNDIG Service-Portal " http://service.grundig.de ".	Note: If your "Product Code" or display variant is not mentioned in the spare parts list, please look for a current version at the GRUNDIG service portal " http://service.grundig.de ".
0001.000		759551284500		GEH.-VORDERTEIL SILBER	FRONT CABINET SILVER
0002.000		759551250900		RUECKWAND SILBER	BACK COVER SILVER
0003.000		759551157500		BUCHSENABDECKUNG SILBER	JACK COVER SILVER
0007.000		759551224700		LAUTSPRECHER 8 OHM 7 W	LOUDSPEAKER 8 OHM 7 W
0008.000		759551282500		HOCHTONLAUTSPRECHER 12/15 W 8	TWEETER 12/15 W 8 OHM 52X74
0010.000	△	759551255000		LCD-DISPLAY CHIMEI V270W1-L04	LCD-DISPLAY CHIMEI V270W1-L04
0015.000	△	759551222300		NETZSCHALTER SDKLA11000 5A 2P	POWER SWITCH SDKLA11000 5A 2P
0016.000		759551157600		KNOPF NETZ	KNOB POWER
0018.000		759551157100		KNOPF VOLUMEN	KNOB VOLUME
0019.000		759551157000		FUSS SILBER	FOOT SILVER
0021.000		759551284400		KABEL DISPLAY-LVDS	CABLE DISPLAY-LVDS
0025.000	△	275990175700	X	LP-CHASSISMODUL LM	CHASSISBOARD LM
0027.000		720117138500		FERNBEDIENUNG TP 170C SILBER	REMOTE CONTROL TP 170C SILVER
0040.000		275990216700		LP-KOPFHOERERMODUL (8R9198)	HEADPHONEBOARD (8R9198)
0050.000		275990215000		LP-BEDIENMODUL ZV6191-10	CONTROLBOARD ZV6191-10
0060.000	△	275990037600		LP-POWER SWITCH MODUL	POWER SWITCH BOARD
0070.000	△	759551147900		LP-NETZTEIL 24/6 12/5 3POL	POWER SUPPLY BOARD
0090.000		759551157700		POLSTER LINKS	CUSHION LEFT
0091.000		759551157800		POLSTER RECHTS	CUSHION RIGHT
0092.000		759551284600		KARTON	CARTON
		720117236500		BEDIENUNGSANLEITUNG D,E,CZ	INSTRUCTION MANUAL D,E,CZ
		720117236700		BEDIENUNGSANLEITUNG I	INSTRUCTION MANUAL I
		720100513000		SERVICE MANUAL D/GB	SERVICE MANUAL D/GB
		720108000001		SICHERHEITSMANUAL D/GB/E/F/I	SAFETY SERVICE MANUAL D/GB/E/F/I
				X = SIEHE GESONDERTE E-LISTE	X = SEE SEPARATE PARTS LIST

Es gelten die Vorschriften und Sicherheitshinweise gemäß dem Service Manual "Sicherheit", Mat.-Nummer 720108000001, sowie zusätzlich die eventuell abweichenden, landesspezifischen Vorschriften!



The regulations and safety instructions shall be valid as provided by the "Safety" Service Manual, part number 720108000001, as well as the respective national deviations.

ÄNDERUNGEN VORBEHALTEN / SUBJECT TO ALTERATION

Ersatzteilliste
Spare Parts List

NUR FÜR INTERNEN GEBRAUCH
FOR INTERNAL USE ONLY

TV

9 / 2006

LENARO 27 LXW 70-8630 IDTV

BESTELL-NR. / ORDER NO.: GBF1900 (ASR)

POS. NR. POS. NO.	ABB. FIG.	MATERIAL-NR. PART NUMBER	ANZ. QTY.	BEZEICHNUNG ①	DESCRIPTION ②
		GBF1900		LENARO 27 LXW 70-8630 IDTV PRODUKTCODE ASR KEIN E-TEIL	LENARO 27 LXW 70-8630 IDTV PRODUCT CODE ASR NO SPARE PART
				Hinweis: Sollte in dieser Ersatzteilliste Ihr "Product Code" oder Ihre Display-Variante nicht aufgeführt sein, finden Sie eine aktualisierte Version auf dem GRUNDIG Service-Portal " http://service.grundig.de ".	Note: If your "Product Code" or display variant is not mentioned in the spare parts list, please look for a current version at the GRUNDIG service portal " http://service.grundig.de ".
0001.000		759551284500		GEH.-VORDERTEIL SILBER	FRONT CABINET SILVER
0002.000		759551250900		RUECKWAND SILBER	BACK COVER SILVER
0003.000		759551157500		BUCHSENABDECKUNG SILBER	JACK COVER SILVER
0007.000		759551224700		LAUTSPRECHER 8 OHM 7 W	LOUDSPEAKER 8 OHM 7 W
0008.000		759551282500		HOCHTONLAUTSPR. 12/15 W 8 OHM 52X74	TWEETER 12/15 W 8 OHM 52X74
0010.000!		759551255000		LCD-DISPLAY CHIMEI V270W1-L04	LCD-DISPLAY CHIMEI V270W1-L04
0015.000!		759551222300		NETZSCHALTER SDKLA11000 5A 2P	POWER SWITCH SDKLA11000 5A 2P
0016.000		759551157100		KNOPF VOLUMEN	KNOB VOLUME
0017.000		759550925300		FEDER KNOPF NETZ	SPRING POWER KNOB
0018.000		759551157600		KNOPF NETZ	KNOB POWER
0019.000		759551157000		FUSS SILBER	FOOT SILVER
0021.000		759551284400		KABEL DISPLAY-LVDS	CABLE DISPLAY-LVDS
0025.000!		275990183200	X	LP-CHASSISMODUL LM	CHASSISBOARD LM
0027.000		720117138500		FERNBEDIENUNG TP 170C SILBER	REMOTE CONTROL TP 170C SILVER
0030.000		275990215000		LP-BEDIENMODUL ZV6191-10	CONTROLBOARD ZV6191-10
0040.000		275990216800		LP-SIDE/AV MODUL	SIDE/AV BOARD
0070.000!		275991147900		LP-NETZTEILMODUL SPI 24/6 12/5 3PIN	POWER SUPPLY BOARD SPI 24/6 12/5 3PIN
0090.000		759551157700		POLSTER LINKS	CUSHION LEFT
0091.000		759551157800		POLSTER RECHTS	CUSHION RIGHT
0092.000		759551297000		KARTON	CARTON
		720117236600		BEDIENUNGSANLEITUNG FR,DK,N,S,FIN	INSTRUCTION MANUAL FR,DK,N,S,FIN
		720100513000		SERVICE MANUAL D/GB	SERVICE MANUAL D/GB
		720108000001		SICHERHEITSMANUAL D/GB/E/F/I	SAFETY SERVICE MANUAL D/GB/E/F/I

X = SIEHE GESONDERTE E-LISTE

X = SEE SEPARATE PARTS LIST

Es gelten die Vorschriften und Sicherheitshinweise gemäß dem Service Manual "Sicherheit", Mat.-Nummer 720108000001, sowie zusätzlich die eventuell abweichenden, landesspezifischen Vorschriften!



The regulations and safety instructions shall be valid as provided by the "Safety" Service Manual, part number 720108000001, as well as the respective national deviations.

ÄNDERUNGEN VORBEHALTEN / SUBJECT TO ALTERATION

Ersatzteilliste
Spare Parts List

NUR FÜR INTERNEN GEBRAUCH
FOR INTERNAL USE ONLY

TV

7 / 2006

LENARO 32 LXW 82-7615 TOP

BESTELL-NR. / ORDER NO.: GBF1400 (ALD)

POS. NR. POS. NO.	ABB. FIG.	MATERIAL-NR. PART NUMBER	ANZ. QTY.	BEZEICHNUNG ①	DESCRIPTION ②
		GBF1400		LENARO 32 LXW 82-7615 TOP PRODUKTCODE ALD KEIN E-TEIL	LENARO 32 LXW 82-7615 TOP PRODUCT CODE ALD NO SPARE PART
				Hinweis: Sollte in dieser Ersatzteilliste Ihr "Product Code" oder Ihre Display-Variante nicht aufgeführt sein, finden Sie eine aktualisierte Version auf dem GRUNDIG Service-Portal " http://service.grundig.de ".	Note: If your "Product Code" or display variant is not mentioned in the spare parts list, please look for a current version at the GRUNDIG service portal " http://service.grundig.de ".
0001.000		759551281100		GEH.-VORDERTEIL SILBER	FRONT CABINET SILVER
0002.000		759551281000		RUECKWAND SILBER	BACK COVER SILVER
0003.000		759551281300		BUCHSENABDECKUNG SILBER	JACK COVER SILVER
0007.000		759551266800		LAUTSPRECHER 8 OHM 10W	LOUDSPEAKER 8 OHM 10W
0010.000	△	759551267500		LCD DISPLAY T315XW01-V5	LCD DISPLAY T315XW01-V5
0016.000		759551281500		KNOPF NETZ SILBER	KNOB POWER SILVER
0017.000		759551271700		FEDER KNOPF NETZ	SPRING POWER KNOB
0018.000		759551281600		KNOPF PROG./VOL. SILBER	KNOB PROG./VOL. SILVER
0019.000		759551281400		FUSS SILBER	FOOT SILVER
0025.000	△	275990174600	X	LP-CHASSISMODUL LM	CHASSISBOARD LM
0027.000		720117138500		FERNBEDIENUNG TP 170C SILBER	REMOTE CONTROL TP 170C SILVER
0050.000		275990216600		LP-KOPFHOERERMODUL (8R9198)	HEADPHONE BOARD (8R9198)
0060.000	△	275990037600		LP-POWER SWITCH MODUL	POWER SWITCH BOARD
0070.000	△	275990039200		LP-NETZTEILMODUL SPI 24/6 12/5 3PIN	POWER SUPPLY BOARD SPI 24/6 12/5 3PIN
0090.000		759551236100		POLSTER LINKS	CUSHION LEFT
0091.000		759551236200		POLSTER RECHTS	CUSHION RIGHT
0092.000		759551281200		KARTON	CARTON
		720117235500		BEDIENUNGSANLEITUNG E	INSTRUCTION MANUAL E
		720100513000		SERVICE MANUAL D/GB	SERVICE MANUAL D/GB
		720108000001		SICHERHEITSMANUAL D/GB/E/F/I	SAFETY SERVICE MANUAL D/GB/E/F/I

X = SIEHE GESONDERTE E-LISTE

X = SEE SEPARATE PARTS LIST

Es gelten die Vorschriften und Sicherheitshinweise gemäß dem Service Manual "Sicherheit", Mat.-Nummer 720108000001, sowie zusätzlich die eventuell abweichenden, landesspezifischen Vorschriften!



The regulations and safety instructions shall be valid as provided by the "Safety" Service Manual, part number 720108000001, as well as the respective national deviations.

ÄNDERUNGEN VORBEHALTEN / SUBJECT TO ALTERATION

Ersatzteilliste
Spare Parts List

NUR FÜR INTERNEN GEBRAUCH
FOR INTERNAL USE ONLY

TV

11 / 2006

LENARO 32 LXW 82-7731 IDTV

POS. NR. POS. NO.	ABB. FIG.	MATERIAL-NR. PART NUMBER	ANZ. QTY.	BEZEICHNUNG (D)	BESTELL-NR. / ORDER NO.: GBF5800 (BBV)	DESCRIPTION (GB)
		GBF5800		LENARO 32 LXW 82-7731 IDTV PRODUKTCODE BBV KEIN E-TEIL		LENARO 32 LXW 82-7731 IDTV PRODUKTCODE BBV NO SPARE PART
				Hinweis: Sollte in dieser Ersatzteilliste Ihr "Product Code" oder Ihre Display-Variante nicht aufgeführt sein, finden Sie eine aktualisierte Version auf dem GRUNDIG Service-Portal " http://service.grundig.de ".		Note: If your "Product Code" or display variant is not mentioned in the spare parts list, please look for a current version at the GRUNDIG service portal " http://service.grundig.de ".
0001.000		759551326400		GEH.-VORDRERTEIL SILBER		FRONT CABINET SILVER
0002.000		759551281000		RUECKWAND SILBER		BACK COVER SILVER
0003.000		759551281300		BUCHSENABDECKUNG SILBER		JACK COVER SILVER
0007.000		759551266800		LAUTSPRECHER 8 OHM 10W		LOUDSPEAKER 8 OHM 10W
0008.000		759551296700		HOCHTONLAUTSPRECHER 8 OHM 12/15W		TWEETER 8 OHM 12/15W 52X74
0010.000	△	759551307300		LCD-DISPLAY QUANTA QD32HL03-RE *		LCD-DISPLAY QUANTA QD32HL03-RE *
0010.000	△	759551326600		LCD-DISPLAY SAMSUNG LTA320WT-L16 **		LCD-DISPLAY SAMSUNG LTA320WT-L16 **
0015.000	△	759551222300		NETZSCHALTER SDKLA11000 5A 2P		POWER SWITCH SDKLA11000 5A 2P
0016.000		759551281500		KNOPF NETZ SILBER		KNOB POWER SILVER
0017.000		759550925300		FEDER KNOPF NETZ		SPRING POWER KNOB
0018.000		759551281600		KNOPF PROG. SILBER		KNOB PROG. SILVER
0019.000		759551281400		FUSS SILBER		FOOT SILVER
0021.000		759551307400		KABEL DISPLAY-INVERTER QD2 300		CABLE DISPLAY-INVERTER QD2 300
0025.000	△	275990187900	X	LP-CHASSISMODUL LM *		CHASSISBOARD LM *
0025.000	△	275990188000	X	LP-CHASSISMODUL LM **		CHASSISBOARD LM **
0027.000		720117139100		FERNBEDIENUNG TP 170C SCHWARZ		REMOTE CONTROL TP 170C BLACK
0030.000		275990215000		LP-BEDIENMODUL ZV6191-10		CONTROLBOARD ZV6191-10
0040.000		275990216600		LP-KOPFHOERERMODUL (8R9198)		HEADPHONE BOARD (8R9198)
0050.000		275990216800		LP-SIDE/AV MODUL		SIDE/AV BOARD
0060.000		275990219100		LP-IR-MODUL		IR-BOARD
0070.000	△	275990039600		LP-NETZTEILMODUL SPI 24/6 12/5		POWER SUPPLY BOARD SPI 24/6 12
0075.000	△	275990037600		LP-NETZSCHALTERMOD.26L6BL67		POWER SWITCH BOARD 26L6BL67
0090.000		759551236100		POLSTER LINKS		CUSHION LEFT
0091.000		759551236200		POLSTER RECHTS		CUSHION RIGHT
0092.000		759551326500		KARTON		CARTON
		720117254500		BEDIENUNGSANLEITUNG D,I,E,CZ		INSTRUCTION MANUAL D,I,E,CZ
		720100504000		SERVICE MANUAL D/GB		SERVICE MANUAL D/GB
		720108000001		SICHERHEITSMANUAL D/GB/E/F/I		SAFETY SERVICE MANUAL D/GB/E/F/I
				X = SIEHE GESONDERTE E-LISTE		X = SEE SEPARATE PARTS LIST
				* = QUANTA DISPLAY		* = QUANTA DISPLAY
				** = SAMSUNG DISPLAY		** = SAMSUNG DISPLAY

Es gelten die Vorschriften und Sicherheitshinweise gemäß dem Service Manual "Sicherheit", Mat.-Nummer 720108000001, sowie zusätzlich die eventuell abweichenden, landesspezifischen Vorschriften!



The regulations and safety instructions shall be valid as provided by the "Safety" Service Manual, part number 720108000001, as well as the respective national deviations.

ÄNDERUNGEN VORBEHALTEN / SUBJECT TO ALTERATION

Ersatzteilliste
Spare Parts List

NUR FÜR INTERNEN GEBRAUCH
FOR INTERNAL USE ONLY

TV

7 / 2006

LENARO 32 LXW 82-8630 IDTV

POS. NR. POS. NO.	ABB. FIG.	MATERIAL-NR. PART NUMBER	ANZ. QTY.	BEZEICHNUNG (D)	BESTELL-NR. / ORDER NO.: GBD7500 (AHX)	DESCRIPTION (GB)
		GBD7500		LENARO 32 LXW 82-8630 IDTV PRODUKTCODE AHX KEIN E-TEIL		LENARO 32 LXW 82-8630 IDTV PRODUKTCODE AHX NO SPARE PART
				Hinweis: Sollte in dieser Ersatzteilliste Ihr "Product Code" oder Ihre Display-Variante nicht aufgeführt sein, finden Sie eine aktualisierte Version auf dem GRUNDIG Service-Portal " http://service.grundig.de ".		Note: If your "Product Code" or display variant is not mentioned in the spare parts list, please look for a current version at the GRUNDIG service portal " http://service.grundig.de ".
0001.000		759551282200		GEH.-VORDERTEIL SILBER		FRONT CABINET SILVER
0002.000		759551235600		RUECKWAND SILBER		BACK COVER SILVER
0003.000		759551236400		BUCHSENABDECKUNG SILBER		JACK COVER SILVER
0007.000		759551266800		LAUTSPRECHER 8 OHM 10W		LOUDSPEAKER 8 OHM 10W
0008.000		759551282500		HOCHTONLAUTSPRECHER 12/15 W 8		TWEETER 12/15 W 8 OHM 52X74
0010.000	△	759551267500		LCD DISPLAY T315XW01-V5		LCD DISPLAY T315XW01-V5
0015.000	△	759551222300		NETZSCHALTER SDKLA11000 5A 2P		POWER SWITCH SDKLA11000 5A 2P
0016.000		759551157600		KNOPF NETZ		KNOB POWER
0017.000		759551271700		FEDER KNOPF NETZ		SPRING POWER KNOB
0018.000		759551157100		KNOPF VOLUMEN		KNOB VOLUME
0019.000		759551231000		FUSS SILBER		FUSS SILVER
0021.000		759551267800		KABEL LVDS DISPLAY-MAINBOARD		CABLE LVDS DISPLAY-MAINBOARD
0025.000	△	275990175400	X	LP-CHASSISMODUL LM		CHASSISBOARD LM
0027.000		720117138500		FERNBEDIENUNG TP 170C SILBER		REMOTE CONTROL TP 170C SILVER
0040.000		275990216800		LP-SIDE/AV MODUL		SIDE/AV BOARD
0050.000		275990215000		LP-BEDIENMODUL ZV6191-10		CONTROLBOARD ZV6191-10
0060.000		275990216600		LP-KOPFHOERERMODUL (8R9198)		HEADPHONEBOARD (8R9198)
0070.000	△	275990037300		LP-NETZTEILMODUL SPI 24/6 12/5		POWER SUPPLY BOARD SPI 24/6 12
0080.000	△	275990037600		LP-POWER SWITCH MODUL		POWER SWITCH BOARD
0090.000		759551236100		POLSTER LINKS		CUSHION LEFT
0091.000		759551236200		POLSTER RECHTS		CUSHION RIGHT
0092.000		759551282300		KARTON		CARTON
		720117236500		BEDIENUNGSANLEITUNG D,E,CZ		INSTRUCTION MANUAL D,E,CZ
		720100513000		SERVICE MANUAL D/GB		SERVICE MANUAL D/GB
		720108000001		SICHERHEITSMANUAL D/GB/E/F/I		SAFETY SERVICE MANUAL D/GB/E/F/I
				X = SIEHE GESONDERTE E-LISTE		X = SEE SEPARATE PARTS LIST

Es gelten die Vorschriften und Sicherheitshinweise gemäß dem Service Manual "Sicherheit", Mat.-Nummer 720108000001, sowie zusätzlich die eventuell abweichenden, landesspezifischen Vorschriften!



The regulations and safety instructions shall be valid as provided by the "Safety" Service Manual, part number 720108000001, as well as the respective national deviations.

ÄNDERUNGEN VORBEHALTEN / SUBJECT TO ALTERATION

Ersatzteilliste
Spare Parts List

NUR FÜR INTERNEN GEBRAUCH
FOR INTERNAL USE ONLY

TV

9 / 2006

LENARO 32 LXW 82-8630 IDTV

BESTELL-NR. / ORDER NO.: GBF2000 (AQV)

POS. NR. POS. NO.	ABB. FIG.	MATERIAL-NR. PART NUMBER	ANZ. QTY.	BEZEICHNUNG (D)	DESCRIPTION (GB)
		GBF2000		LENARO 32 LXW 82-8630 IDTV PRODUKTCODE AQV KEIN E-TEIL	LENARO 32 LXW 82-8630 IDTV PRODUCT CODE AQV NO SPARE PART
				Hinweis: Sollte in dieser Ersatzteilliste Ihr "Product Code" oder Ihre Display-Variante nicht aufgeführt sein, finden Sie eine aktualisierte Version auf dem GRUNDIG Service-Portal " http://service.grundig.de ".	Note: If your "Product Code" or display variant is not mentioned in the spare parts list, please look for a current version at the GRUNDIG service portal " http://service.grundig.de ".
0001.000		759551282200		GEH.-VORDERTEIL SILBER	FRONT CABINET SILVER
0002.000		759551235600		RUECKWAND SILBER	BACK COVER SILVER
0003.000		759551236400		BUCHSENABDECKUNG SILBER	JACK COVER SILVER
0007.000		759551266800		LAUTSPRECHER 8 OHM 10W	LOUDSPEAKER 8 OHM 10W
0008.000		759551296700		HOCHTONLAUTSPR. 8 OHM 12/15W 52X74	TWEETER 8 OHM 12/15W 52X74
0010.000	△	759551267500		LCD DISPLAY T315XW01-V5	LCD DISPLAY T315XW01-V5
0015.000	△	759551222300		NETZSCHALTER SDKLA11000 5A 2P	POWER SWITCH SDKLA11000 5A 2P
0016.000		759551157600		KNOPF NETZ	KNOB POWER
0018.000		759551157100		KNOPF VOLUMEN	KNOB VOLUME
0019.000		759551231000		FUSS SILBER	FUSS SILVER
0021.000		759551267800		KABEL LVDS DISPLAY-MAINBOARD	CABLE LVDS DISPLAY-MAINBOARD
0025.000	△	275990182900	X	LP-CHASSISMODUL LM	CHASSISBOARD LM
0027.000		720117138500		FERNBEDIENUNG TP 170C SILBER	REMOTE CONTROL TP 170C SILVER
0030.000		275990215000		LP-BEDIENMODUL ZV6191-10	CONTROLBOARD ZV6191-10
0060.000		275990216800		LP-SIDE/AV MODUL	SIDE/AV BOARD
0070.000	△	275990039600		LP-NETZTEILMODUL SPI 24/6 12/5	POWER SUPPLY BOARD SPI 24/6 12
0080.000	△	275990037600		LP-POWER SWITCH MODUL	POWER SWITCH BOARD
0090.000		759551236100		POLSTER LINKS	CUSHION LEFT
0091.000		759551236200		POLSTER RECHTS	CUSHION RIGHT
0092.000		759551297100		KARTON	CARTON
		720117234600		BEDIENUNGSANLEITUNG FR,DK,N,S,FIN	INSTRUCTION MANUAL FR,DK,N,S,FIN
		720100513000		SERVICE MANUAL D/GB	SERVICE MANUAL D/GB
		720108000001		SICHERHEITSMANUAL D/GB/E/F/I	SAFETY SERVICE MANUAL D/GB/E/F/I

X = SIEHE GESONDERTE E-LISTE

X = SEE SEPARATE PARTS LIST

Es gelten die Vorschriften und Sicherheitshinweise gemäß dem Service Manual "Sicherheit", Mat.-Nummer 720108000001, sowie zusätzlich die eventuell abweichenden, landesspezifischen Vorschriften!



The regulations and safety instructions shall be valid as provided by the "Safety" Service Manual, part number 720108000001, as well as the respective national deviations.

ÄNDERUNGEN VORBEHALTEN / SUBJECT TO ALTERATION

Ersatzteilliste
Spare Parts List

NUR FÜR INTERNEN GEBRAUCH
FOR INTERNAL USE ONLY

TV

7 / 2006

SEDANCE 26 LXW 68-6610 TOP

BESTELL-NR. / ORDER NO.: GBF1500 (AUE)

POS. NR. POS. NO.	ABB. FIG.	MATERIAL-NR. PART NUMBER	ANZ. QTY.	BEZEICHNUNG (D)	DESCRIPTION (GB)
		GBF1500		SEDANCE 26 LXW 68-6610 TOP PRODUKTCODE AUE KEIN E-TEIL	SEDANCE 26 LXW 68-6610 TOP PRODUCT CODE AUE NO SPARE PART
				Hinweis: Sollte in dieser Ersatzteilliste Ihr "Product Code" oder Ihre Display-Variante nicht aufgeführt sein, finden Sie eine aktualisierte Version auf dem GRUNDIG Service-Portal " http://service.grundig.de ".	Note: If your "Product Code" or display variant is not mentioned in the spare parts list, please look for a current version at the GRUNDIG service portal " http://service.grundig.de ".
0001.000		759551287600		GEH.-VORDERTEIL SILBER	FRONT CABINET SILVER
0002.000		759551288100		RUECKWAND SILBER	BACK COVER SILVER
0003.000		759551288200		BUCHSENABDECKUNG SILBER	JACK COVER SILVER
0007.000		759551224700		LAUTSPRECHER 8 OHM 7 W	LOUDSPEAKER 8 OHM 7 W
0010.000	△	759551287800		LCD DISPLAY QUANTA QD26HL01	LCD DISPLAY QUANTA QD26HL01
0015.000	△	759551222300		NETZSCHALTER SDKLA11000 5A 2P	POWER SWITCH SDKLA11000 5A 2P
0016.000		759551224900		KNOPF NETZ SILBER	KNOB POWER SILVER
0018.000		759551181200		KNOPF PROGR./VOL. SILBER	KNOB PROGR./VOL. SILVER
0019.000		759551225300		FUSS SILBER	FOOT SILVER
0025.000	△	275990181400	X	LP-CHASSISMODUL LM	CHASSISBOARD LM
0027.000		720117138500		FERNBEDIENUNG TP170 C	REMOTE CONTROL TP170C
0030.000		275990216500		LP-EMPFANGSMODUL (FX2193-10)	RECEIVER BOARD (FX2193-10)
0040.000		275990212000		LP-BEDIENMODUL	CONTROLBOARD
0060.000		275990066800		LP-KOPFHOERER/AV-MODUL	KOPFHOERER/AV-BOARD
0070.000	△	275990039600		LP-NETZTEILMODUL SPI 24/6 12/5	POWER SUPPLY BOARD SPI 24/6 12
0075.000		275990037600		LP-POWER SWITCH MODUL	POWER SWITCH BOARD
0090.000		759551287900		POLSTER LINKS	CUSHION LEFT
0091.000		759551288000		POLSTER RECHTS	CUSHION RIGHT
0092.000		759551287700		KARTON	CARTON
		720117234500		BEDIENUNGSANLEITUNG D,F,I,E,NL,P	INSTRUCTION MANUAL D,F,I,E,NL,P
		720117234600		BEDIENUNGSANLEITUNG PL, CZ, H,HR	INSTRUCTION MANUAL PL, CZ, H,HR
		720100513000		SERVICE MANUAL D/GB	SERVICE MANUAL D/GB
		720108000001		SICHERHEITSMANUAL D/GB/E/F/I	SAFETY SERVICE MANUAL D/GB/E/F/I

X = SIEHE GESONDERTE E-LISTE

X = SEE SEPARATE PARTS LIST

Es gelten die Vorschriften und Sicherheitshinweise gemäß dem Service Manual "Sicherheit", Mat.-Nummer 720108000001, sowie zusätzlich die eventuell abweichenden, landesspezifischen Vorschriften!



The regulations and safety instructions shall be valid as provided by the "Safety" Service Manual, part number 720108000001, as well as the respective national deviations.

ÄNDERUNGEN VORBEHALTEN / SUBJECT TO ALTERATION

BESTELL-NR. / ORDER NO.: GBF1100 (ADZ)

POS. NR. POS. NO.	ABB. FIG.	MATERIAL-NR. PART NUMBER	ANZ. QTY.	BEZEICHNUNG (D)	DESCRIPTION (GB)
		GBF1100		SEDANCE 32 LXW 82-6610 TOP PRODUKTCODE ADZ KEIN E-TEIL	SEDANCE 32 LXW 82-6610 TOP PRODUCT CODE ADZ NO SPARE PART
				Hinweis: Sollte in dieser Ersatzteilliste Ihr "Product Code" oder Ihre Display-Variante nicht aufgeführt sein, finden Sie eine aktualisierte Version auf dem GRUNDIG Service-Portal " http://service.grundig.de ".	Note: If your "Product Code" or display variant is not mentioned in the spare parts list, please look for a current version at the GRUNDIG service portal " http://service.grundig.de ".
0001.000		759551279200		GEHAEUSEVORDERTEIL SILBER	FRONT CABINET SILVER
0002.000		759551279000		RUECKWAND SILBER	BACK COVER SILVER
0003.000		759551279100		BUCHSENABDECKUNG SILBER	JACK COVER SILVER
0010.000	△	759551267500		LCD DISPLAY T315XW01-V5	LCD DISPLAY T315XW01-V5
0015.000	△	759551222300		NETZSCHALTER SDKLA11000 5A 2P	POWER SWITCH SDKLA11000 5A 2P
0016.000		759551222200		KNOPF NETZ SILBER	KNOB POWER SILVER
0018.000		759551181200		KNOPF PROG./VOL. SILBER	KNOB PROG./VOL. SILVER
0019.000		759551261000		FUSS SILBER	FOOT SILVER
0020.000		759551279400		ABDECKUNG FUSS SILBER	COVER FOOT SILVER
0021.000		759551267600		KABEL PANEL-INTERFACE	CABLE PANEL-INTERFACE
0025.000	△	275990174600	X	LP-CHASSISMODUL LM	CHASSISBOARD LM
0027.000		720117138500		FERNBEDIENUNG TP 170C SILBER	REMOTE CONTROL TP 170C SILVER
0040.000		275990211800		LP-BEDIENMODUL	CONTROLBOARD
0050.000		275990216500		LP-BILDROHRMODUL	PICTURETUBEBOARD
0060.000		275990216000		LP-KOPFHOERERMODUL	HEAD PHONE BOARD
0070.000	△	275990039200		LP-NETZTEILMODUL SPI 24/6 12/5	POWER SUPPLY BOARD SPI 24/6 12/5
0080.000	△	275990037600		LP-POWER SWITCH MODUL	POWER SWITCH BOARD
0090.000		759551260800		POLSTER LINKS	CUSHION LEFT
0091.000		759551260900		POLSTER RECHTS	CUSHION RIGHT
0092.000		759551279300		KARTON	CARTON
		720117234500		BEDIENUNGSANLEITUNG D,F,I,E,NL,P	INSTRUCTION MANUAL D,F,I,E,NL,P
		720117234600		BEDIENUNGSANLEITUNG PL,CZ,H,HR	INSTRUCTION MANUAL PL,CZ,H,HR
		720100513000		SERVICE MANUAL D/GB	SERVICE MANUAL D/GB
		720108000001		SICHERHEITSMANUAL D/GB/E/F/I	SAFETY SERVICE MANUAL D/GB/E/F/I
				X = SIEHE GESONDERTE E-LISTE	X = SEE SEPARATE PARTS LIST

Es gelten die Vorschriften und Sicherheitshinweise gemäß dem Service Manual "Sicherheit", Mat.-Nummer 720108000001, sowie zusätzlich die eventuell abweichenden, landesspezifischen Vorschriften!



The regulations and safety instructions shall be valid as provided by the "Safety" Service Manual, part number 720108000001, as well as the respective national deviations.

ÄNDERUNGEN VORBEHALTEN / SUBJECT TO ALTERATION

BESTELL-NR. / ORDER NO.: GBF7300 (BFF)

POS. NR. POS. NO.	ABB. FIG.	MATERIAL-NR. PART NUMBER	ANZ. QTY.	BEZEICHNUNG (D)	DESCRIPTION (GB)
		GBF7300		32 LXW 82-8600 DL PRODUKTCODE BFF KEIN E-TEIL	32 LXW 82-8600 DL PRODUCT CODE BFF NO SPARE PART
				Hinweis: Sollte in dieser Ersatzteilliste Ihr "Product Code" oder Ihre Display-Variante nicht aufgeführt sein, finden Sie eine aktualisierte Version auf dem GRUNDIG Service-Portal " http://service.grundig.de ".	Note: If your "Product Code" or display variant is not mentioned in the spare parts list, please look for a current version at the GRUNDIG service portal " http://service.grundig.de ".
0001.000		759551307000		GEH.-VORDERTEIL SILBER	FRONT CABINET SILVER
0002.000		759551281000		RUECKWAND SILBER	BACK COVER SILVER
0003.000		759551281300		BUCHSENABDECKUNG SILBER	JACK COVER SILVER
0007.000		759551266800		LAUTSPRECHER 8 OHM 10W	LOUDSPEAKER 8 OHM 10W
0008.000		759551296700		HOCHTONLAUTSPRECHER 8 OHM 12/15W	TWEETER 8 OHM 12/15W 52X74
0010.000	△	759551307200		LCD DISPLAY LG-PH OPT. LC320W0 *	LCD DISPLAY LG-PH OPT. LC320W0 *
0010.000	△	759551307300		LCD DISPLAY QUANTA QD32HL03-REV1 **	LCD DISPLAY QUANTA QD32HL03-REV1 **
0014.000	△	759880571000		NETZKABEL	POWER CABLE
0015.000	△	759551222300		NETZSCHALTER SDKLA11000 5A 2P	POWER SWITCH SDKLA11000 5A 2P
0016.000		759551281500		KNOPF NETZ SILBER	KNOB POWER SILVER
0017.000		759550925300		FEDER KNOPF NETZ	SPRING POWER KNOB
0018.000		759551281600		KNOPF PROG./VOL. SILBER	KNOB PROG./VOL. SILVER
0019.000		759551281400		FUSS SILBER	FOOT SILVER
0021.000		759551244900		KABEL 30 POL. DISPLAY-CHASSIS *	CABLE 30 PLS. DISPLAY-CHASSIS *
0021.000		759551307400		KABEL DISPLAY-INVERTER QD2 300MM **	CABLE DISPLAY-INVERTER QD2 300MM **
0025.000	△	275990184900	X	LP-CHASSISMODUL LM *	CHASSISBOARD LM *
0025.000	△	275990185000	X	LP-CHASSISMODUL LM **	CHASSISBOARD LM **
0027.000		720117139100		FERNBEDIENUNG TP 170C SCHWARZ	REMOTE CONTROL TP 170C BLACK
0030.000		275990215000		LP-BEDIENMODUL ZV6191-10	CONTROLBOARD ZV6191-10
0040.000		275990219100		LP-IR-MODUL	IR-BOARD
0050.000		275990216600		LP-KOPFHOERERMODUL (8R9198)	HEADPHONE BOARD (8R9198)
0060.000	△	275990037600		LP-POWER SWITCH MODUL	POWER SWITCH BOARD
0070.000	△	275990039600		LP-NETZTEILMODUL SPI 24/6 12/5	POWER SUPPLY BOARD SPI 24/6 12/5
0090.000		759551236100		POLSTER LINKS	CUSHION LEFT
0091.000		759551236200		POLSTER RECHTS	CUSHION RIGHT
0092.000		759551307100		KARTON	CARTON
		720117247000		BEDIENUNGSANLEITUNG D,GB, F, I,NL	INSTRUCTION MANUAL D,GB,F,I,NL
		720117247100		BEDIENUNGSANLEITUNG DK, N, S,FIN	INSTRUCTION MANUAL DK,N,S,FIN
		720117247200		BEDIENUNGSANLEITUNG E,P,PL,CZ,H	INSTRUCTION MANUAL E,P,PL,CZ,H
		720100513000		SERVICE MANUAL D/GB	SERVICE MANUAL D/GB
		720108000001		SICHERHEITSMANUAL D/GB/E/F/I	SAFETY SERVICE MANUAL D/GB/E/F/I
				X = SIEHE GESONDERTE E-LISTE	X = SEE SEPARATE PARTS LIST
				* = LG-PHILIPS DISPLAY	* = LG-PHILIPS DISPLAY
				** = QUANTA DISPLAY	** = QUANTA DISPLAY

Es gelten die Vorschriften und Sicherheitshinweise gemäß dem Service Manual "Sicherheit", Mat.-Nummer 720108000001, sowie zusätzlich die eventuell abweichenden, landesspezifischen Vorschriften!



The regulations and safety instructions shall be valid as provided by the "Safety" Service Manual, part number 720108000001, as well as the respective national deviations.

ÄNDERUNGEN VORBEHALTEN / SUBJECT TO ALTERATION

Ersatzteilliste
Spare Parts List

NUR FÜR INTERNEN GEBRAUCH
FOR INTERNAL USE ONLY



5 / 2006

LP-CHASSISMODUL LM
CHASSISBOARD LM

MATERIAL-NR. / PART NO.: 275990169000

POS. NR. POS. NO.	ABB. FIG.	MATERIAL-NR. PART NUMBER	ANZ. QTY.	BEZEICHNUNG DESCRIPTION (D) (GB)
----------------------	--------------	-----------------------------	--------------	---

275990169000 LP-CHASSISMODUL LM

CHASSISBOARD LM

POS. NR. POS. NO.	MATERIAL-NR. PART NUMBER	BEZEICHNUNG DESCRIPTION	POS. NR. POS. NO.	MATERIAL-NR. PART NUMBER	BEZEICHNUNG DESCRIPTION
D 300	759551098600	DIODE STPS340U	S 311	759551057900	KOPFHOERERBUCHSE YKB21-5103
D 303	759551098600	DIODE STPS340U	S 313	759550922900	EURO AV BUCHSE
D 305	759551241900	DIODE CHIP IMBD4148	S 314	759550922900	EURO AV BUCHSE
D 314	759530510400	DIODE BAV 99	T 102	759551098700	TRANS BC848BLT1G
D 315	759530510400	DIODE BAV 99	T 106	830100385800	SMD TRANS BC858B/ BC857B P
D 316	759530510400	DIODE BAV 99	T 300	759550968600	TRANS FDS9933A
IC 300	759551267900	IC-CHIP NCP1117ST33T3G SOT	T 303	759550973400	TRANS 2N002
IC 301	759551268000	IC-CHIP CM2021-00TR TSSOP	T 305	759551098700	TRANS BC848BLT1G
IC 302	759551242700	IC MP1593DN-LF-Z DC-DC	T 306	759550973400	TRANS 2N002
IC 304	759551242700	IC MP1593DN-LF-Z DC-DC	T 307	759551098700	TRANS BC848BLT1G
IC 306	759551114600	IC NCP1117DT18RK	T 308	759551098700	TRANS BC848BLT1G
IC 307	759551060700	IC NCP1117DTARK (DPAK)	T 310	759551098700	TRANS BC848BLT1G
IC 308	759551060700	IC NCP1117DTARK (DPAK)	T 311	759551098700	TRANS BC848BLT1G
IC 309	759551268100	IC-CHIP TVP5150AM1PBSRG4 PQ	T 312	759551098700	TRANS BC848BLT1G
IC 310	759551268200	IC-CHIP MAX810STRG SOT23 RE	T 314	759551098700	TRANS BC848BLT1G
IC 311	759551268300	IC-CHIP MTV512GMV64 PLCC 80	T 315	759551098700	TRANS BC848BLT1G
IC 312	830544043100	IC TL431CLPRP MOT AV330 ER-	T 317	759551098700	TRANS BC848BLT1G
IC 314	759550542200	SMD IC M24C08N SC2.7	T 318	759551098700	TRANS BC848BLT1G
IC 315	759550542200	SMD IC M24C08N SC2.7	T 319	759550973400	TRANS 2N002
IC 317	759551268400	IC-CHIP CS4334-KSZR SO8	T 320	830100385800	SMD TRANS BC858B/ BC857B P
IC 319	759551268500	IC-CHIP 74HC4052D SO16	T 321	830100385800	SMD TRANS BC858B/ BC857B P
IC 320	759551268500	IC-CHIP 74HC4052D SO16	T 322	759551098700	TRANS BC848BLT1G
IC 321	759551242000	IC CHIP MAX9704 ST D-AUD AM	T 323	759550973400	TRANS 2N002
IC 323	759550970700	IC CHIP AT24C32AN-10SI-2.7	TU 301	759551269100	TUNER PANASONIC ENV57K23G3F
IC 324	759551268700	IC-CHIP VCT 4993G-XM QFP 51	X 300	759550944800	QUARZ 12 MHZ
IC 325	759551268600	IC-CHIP MM74HC4052D SO16	X 301	759880544700	QUARZ 14.31818 MHZ
IC 326	759551268600	IC-CHIP MM74HC4052D SO16	X 302	759551269200	QUARZ 20.250 MHZ SMU-13-30/
IC 327	831900696700	OFWFL X6966M100 SIE	Y 301	759880544700	QUARZ 14.31818 MHZ
IC 334	759551268900	IC-CHIP MST6181LDA-LF LQFP			
IC 335	759551268800	IC-CHIP HY5DU283222BFP-33 F			
IC 337	759550971100	IC CHIP KF25BDT			
IC 338	759551269000	IC-CHIP TDA7053AT SO16 0.5W			
L 107	759872527500	SPULE 10UH+-20% 5152324			
L 300	759875814200	CHIP SPULE 1.2 UH			
L 326	759551199500	SPULE 3.3 UH 2.9A			
L 330	759551199500	SPULE 3.3 UH 2.9A			
L 334	759551199500	SPULE 3.3 UH 2.9A			
L 359	759550975200	SPULE 10 UH			
L 360	759550975200	SPULE 10 UH			

Es gelten die Vorschriften und Sicherheitshinweise gemäß dem Service Manual "Sicherheit", Mat.-Nummer 720108000001, sowie zusätzlich die eventuell abweichenden, landesspezifischen Vorschriften!



The regulations and safety instructions shall be valid as provided by the "Safety" Service Manual, part number 720108000001, as well as the respective national deviations.

ÄNDERUNGEN VORBEHALTEN / SUBJECT TO ALTERATION

Ersatzteilliste
Spare Parts List

NUR FÜR INTERNEN GEBRAUCH
FOR INTERNAL USE ONLY



5 / 2006

LP-CHASSISMODUL LM
CHASSISBOARD LM

MATERIAL-NR. / PART NO.: 275990169400

POS. NR. POS. NO.	ABB. FIG.	MATERIAL-NR. PART NUMBER	ANZ. QTY.	BEZEICHNUNG DESCRIPTION (D) (GB)
----------------------	--------------	-----------------------------	--------------	---

275990169400 LP-CHASSISMODUL LM

CHASSISBOARD LM

POS. NR. POS. NO.	MATERIAL-NR. PART NUMBER	BEZEICHNUNG DESCRIPTION	POS. NR. POS. NO.	MATERIAL-NR. PART NUMBER	BEZEICHNUNG DESCRIPTION
D 300	759551098600	DIODE STPS340U	S 314	759550922900	EURO AV BUCHSE
D 303	759551098600	DIODE STPS340U	T 102	830100484800	SMD TRANS BC848B/ BC847B P
D 305	759551241900	DIODE CHIP IMBD4148	T 106	830100385800	SMD TRANS BC858B/ BC857B P
D 314	759530510400	DIODE BAV 99	T 300	759550968600	TRANS FDS9933A
D 315	759530510400	DIODE BAV 99	T 303	759550973400	TRANS 2N002
D 316	759530510400	DIODE BAV 99	T 305	830100484800	SMD TRANS BC848B/ BC847B P
IC 300	759551267900	IC-CHIP NCP1117ST33T3G SOT-	T 306	759550973400	TRANS 2N002
IC 301	759551268000	IC-CHIP CM2021-00TR TSSOP	T 307	830100484800	SMD TRANS BC848B/ BC847B P
IC 302	759551242700	IC MP1593DN-LF-Z DC-DC	T 308	830100484800	SMD TRANS BC848B/ BC847B P
IC 304	759551242700	IC MP1593DN-LF-Z DC-DC	T 310	830100484800	SMD TRANS BC848B/ BC847B P
IC 306	759551114600	IC NCP1117DT18RK	T 311	830100484800	SMD TRANS BC848B/ BC847B P
IC 307	759551060700	IC NCP1117DTARK (DPAK)	T 312	830100484800	SMD TRANS BC848B/ BC847B P
IC 308	759551060700	IC NCP1117DTARK (DPAK)	T 314	830100484800	SMD TRANS BC848B/ BC847B P
IC 309	759551268100	IC-CHIP TVP5150AM1PBSRG4 PQ	T 315	830100484800	SMD TRANS BC848B/ BC847B P
IC 310	759551268200	IC-CHIP MAX810STRG SOT23 RE	T 317	830100484800	SMD TRANS BC848B/ BC847B P
IC 311	759551268300	IC-CHIP MTV512GMV64 PLCC 80	T 318	830100484800	SMD TRANS BC848B/ BC847B P
IC 312	830544043100	IC TL431CLPRP MOT AV330 ER-	T 319	759550973400	TRANS 2N002
IC 314	759550542200	SMD IC M24C08N SC2.7	T 320	830100385800	SMD TRANS BC858B/ BC857B P
IC 315	759550542200	SMD IC M24C08N SC2.7	T 321	830100385800	SMD TRANS BC858B/ BC857B P
IC 317	759551268400	IC-CHIP CS4334-KSZR SO8	T 322	830100484800	SMD TRANS BC848B/ BC847B P
IC 319	759551268500	IC-CHIP 74HC4052D SO16	T 323	759550973400	TRANS 2N002
IC 320	759551268500	IC-CHIP 74HC4052D SO16	TU 301	759551269100	TUNER PANASONIC ENV57K23G3F
IC 321	759551242000	IC CHIP MAX9704 ST D-AUD AM	X 300	759550944800	QUARZ 12 MHZ
IC 323	759550970700	IC CHIP AT24C32AN-10SI-2.7	X 301	759880544700	QUARZ 14.31818 MHZ
IC 324	759551268700	IC-CHIP VCT 4993G-XM QFP 51	X 302	759551269200	QUARZ 20.250 MHZ SMU-13-30/
IC 325	759550522600	SMD IC 4066 SOP14 MM74HC406	Y 301	759880544700	QUARZ 14.31818 MHZ
IC 326	759550522600	SMD IC 4066 SOP14 MM74HC406			
IC 327	831900696700	OFWFL X6966M100 SIE			
IC 334	759551268900	IC-CHIP MST6181LDA-LF LQFP			
IC 335	759551268800	IC-CHIP HY5DU283222BFP-33 F			
IC 337	759550971100	IC CHIP KF25BDT			
IC 338	759551269000	IC-CHIP TDA7053AT SO16 0.5W			
L 107	759872527500	SPULE 10UH+-20% 5152324			
L 300	759875814200	CHIP SPULE 1.2 UH			
L 326	759551199500	SPULE 3.3 UH 2.9A			
L 330	759551199500	SPULE 3.3 UH 2.9A			
L 334	759551199500	SPULE 3.3 UH 2.9A			
S 311	759551057900	KOPFHOERERBUCHSE YKB21-5103			
S 313	759550922900	EURO AV BUCHSE			

Es gelten die Vorschriften und Sicherheitshinweise gemäß dem Service Manual "Sicherheit", Mat.-Nummer 720108000001, sowie zusätzlich die eventuell abweichenden, landesspezifischen Vorschriften!



The regulations and safety instructions shall be valid as provided by the "Safety" Service Manual, part number 720108000001, as well as the respective national deviations.

ÄNDERUNGEN VORBEHALTEN / SUBJECT TO ALTERATION

Ersatzteilliste
Spare Parts List

NUR FÜR INTERNEN GEBRAUCH
FOR INTERNAL USE ONLY

TV

6 / 2006

LP-CHASSISMODUL LM
CHASSISBOARD LM

MATERIAL-NR. / PART NO.: 275990174600

POS. NR. POS. NO.	ABB. FIG.	MATERIAL-NR. PART NUMBER	ANZ. QTY.	BEZEICHNUNG DESCRIPTION	(D) (GB)
----------------------	--------------	-----------------------------	--------------	----------------------------	-------------

275990174600 LP-CHASSISMODUL LM CHASSISBOARD LM

POS. NR. POS. NO.	MATERIAL-NR. PART NUMBER	BEZEICHNUNG DESCRIPTION	POS. NR. POS. NO.	MATERIAL-NR. PART NUMBER	BEZEICHNUNG DESCRIPTION
D 300	759551098600	DIODE STPS340U	S 311	759551057900	KOPFHOERERBUCHSE YKB21-5103
D 303	759551098600	DIODE STPS340U	S 313	759550922900	EURO AV BUCHSE
D 305	759551241900	DIODE CHIP IMBD4148	S 314	759550922900	EURO AV BUCHSE
D 314	759530510400	DIODE BAV 99	T 102	830100484800	SMD TRANS BC848B/ BC847B P
D 315	759530510400	DIODE BAV 99	T 106	830100385800	SMD TRANS BC848B/ BC857B P
D 316	759530510400	DIODE BAV 99	T 300	759550968600	TRANS FDS9933A
IC 300	759551267900	IC-CHIP NCP1117ST33T3G SOT-	T 303	759550973400	TRANS 2N002
IC 301	759551268000	IC-CHIP CM2021-00TR TSSOP	T 305	830100484800	SMD TRANS BC848B/ BC847B P
IC 302	759551242700	IC MP1593DN-LF-Z DC-DC	T 306	759550973400	TRANS 2N002
IC 304	759551242700	IC MP1593DN-LF-Z DC-DC	T 307	830100484800	SMD TRANS BC848B/ BC847B P
IC 306	759551114600	IC NCP1117DT18RK	T 308	830100484800	SMD TRANS BC848B/ BC847B P
IC 307	759551060700	IC NCP1117DTARK (DPAK)	T 310	830100484800	SMD TRANS BC848B/ BC847B P
IC 308	759551060700	IC NCP1117DTARK (DPAK)	T 311	830100484800	SMD TRANS BC848B/ BC847B P
IC 309	759551268100	IC-CHIP TVP5150AM1PBSRG4 PQ	T 312	830100484800	SMD TRANS BC848B/ BC847B P
IC 310	759551268200	IC-CHIP MAX810STRG SOT23 RE	T 314	830100484800	SMD TRANS BC848B/ BC847B P
IC 311	759551268300	IC-CHIP MTV512GMV64 PLCC 80	T 315	830100484800	SMD TRANS BC848B/ BC847B P
IC 312	830544043100	IC TL431CLPRP MOT AV330 ER-	T 317	830100484800	SMD TRANS BC848B/ BC847B P
IC 314	759550542200	SMD IC M24C08N SC2.7	T 318	830100484800	SMD TRANS BC848B/ BC847B P
IC 315	759550542200	SMD IC M24C08N SC2.7	T 319	759550973400	TRANS 2N002
IC 317	759551268400	IC-CHIP CS4334-KSZR SO8	T 320	830100385800	SMD TRANS BC858B/ BC857B P
IC 319	759551268500	IC-CHIP 74HC4052D SO16	T 321	830100385800	SMD TRANS BC858B/ BC857B P
IC 320	759551268500	IC-CHIP 74HC4052D SO16	T 322	830100484800	SMD TRANS BC848B/ BC847B P
IC 321	759551242000	IC CHIP MAX9704 ST D-AUD AM	T 323	759550973400	TRANS 2N002
IC 323	759550970700	IC CHIP AT24C32AN-10SI-2.7	TU 301	759551269100	TUNER PANASONIC ENV57K23G3F
IC 324	759551268700	IC-CHIP VCT 4993G-XM QFP 51	X 300	759550944800	QUARZ 12 MHZ
IC 325	759551268600	IC-CHIP MM74HC4052D SO16	X 301	759880544700	QUARZ 14.31818 MHZ
IC 326	759551268600	IC-CHIP MM74HC4052D SO16	X 302	759551269200	QUARZ 20.250 MHZ SMU-13-30/
IC 327	831900696700	OFWFL X6966M100 SIE	Y 301	759880544700	QUARZ 14.31818 MHZ
IC 334	759551268900	IC-CHIP MST6181LDA-LF LQFP			
IC 335	759551268800	IC-CHIP HY5DU283222BFP-33 F			
IC 337	759550971100	IC CHIP KF25BDT			
IC 338	759551269000	IC-CHIP TDA7053AT SO16 0.5W			
L 107	759872527500	SPULE 10UH+-20% 5152324			
L 300	759875814200	CHIP SPULE 1.2 UH			
L 326	759551199500	SPULE 3.3 UH 2.9A			
L 330	759551199500	SPULE 3.3 UH 2.9A			
L 334	759551199500	SPULE 3.3 UH 2.9A			
L 359	759550975200	SPULE 10 UH			
L 360	759550975200	SPULE 10 UH			
L 367	759550541900	SMD SPULE 1UH K0805			

Es gelten die Vorschriften und Sicherheitshinweise gemäß dem Service Manual "Sicherheit", Mat.-Nummer 720108000001, sowie zusätzlich die eventuell abweichenden, landesspezifischen Vorschriften!



The regulations and safety instructions shall be valid as provided by the "Safety" Service Manual, part number 720108000001, as well as the respective national deviations.

ÄNDERUNGEN VORBEHALTEN / SUBJECT TO ALTERATION

Ersatzteilliste
Spare Parts List

NUR FÜR INTERNEN GEBRAUCH
FOR INTERNAL USE ONLY

TV

7 / 2006

LP-CHASSISMODUL LM
CHASSISBOARD LM

MATERIAL-NR. / PART NO.: 275990175400

POS. NR. POS. NO.	ABB. FIG.	MATERIAL-NR. PART NUMBER	ANZ. QTY.	BEZEICHNUNG DESCRIPTION	(D) (GB)
----------------------	--------------	-----------------------------	--------------	----------------------------	-------------

275990175400 LP-CHASSISMODUL LM CHASSISBOARD LM

POS. NR. POS. NO.	MATERIAL-NR. PART NUMBER	BEZEICHNUNG DESCRIPTION	POS. NR. POS. NO.	MATERIAL-NR. PART NUMBER	BEZEICHNUNG DESCRIPTION
D 300	759551098600	DIODE STPS340U	IC 332	759551283500	IC FSA3357K8X
D 303	759551098600	DIODE STPS340U	IC 334	759551268900	IC-CHIP MST6181LDA-LF LQFP
D 305	759551241900	DIODE CHIP IMBD4148	IC 335	759551268800	IC-CHIP HY5DU283222BFP-33 F
D 314	759530510400	DIODE BAV 99	IC 337	759550971100	IC CHIP KF25BDT
D 315	759530510400	DIODE BAV 99	IC 338	759551269000	IC-CHIP TDA7053AT SO16 0.5W
D 316	759530510400	DIODE BAV 99	L 107	759872527500	SPULE 10UH+-20% 5152324
D 326	759880572200	DIODE BAV70	L 359	759550975200	SPULE 10 UH
D 327	759880572200	DIODE BAV70	L 360	759550975200	SPULE 10 UH
D 330	832521205300	SMD-DIODE BAT54A	S 311	759551057900	KOPFHOERERBUCHSE YKB21-5103
IC 100	759551282600	IC-CHIP COFDM STV0361 TQFP4	S 313	759550922900	EURO AV BUCHSE
IC 101	759551282700	IC-CHIP NL175SZ32DFT2 G SOT3	S 314	759550922900	EURO AV BUCHSE
IC 102	759551282700	IC-CHIP NL175SZ32DFT2 G SOT3	T 100	759551283600	TRANS. PMV60EN N-CHAN.30V(D
IC 103	759551282800	IC-CHIP NL175SZ00DFT2 SOT353	T 101	759550973400	TRANS 2N002
IC 104	759551282800	IC-CHIP NL175SZ00DFT2 SOT353	T 102	830100484800	SMD TRANS BC848B/ BC847B P
IC 105	759551282800	IC-CHIP NL175SZ00DFT2 SOT353	T 106	830100385800	SMD TRANS BC858B/ BC857B P
IC 106	759551282900	IC-CHIP 74LV1737MTCX TSSOP2	T 108	830100484800	SMD TRANS BC848B/ BC847B P
IC 107	759551282900	IC-CHIP 74LV1737MTCX TSSOP2	T 300	759550968600	TRANS FDS9933A
IC 108	759551283000	IC-CHIP 74LV1737MTCX TSSOP2	T 303	759550973400	TRANS 2N002
IC 109	759551282900	IC-CHIP STI5516AUCL MPEG DE	T 305	830100484800	SMD TRANS BC848B/ BC847B P
IC 110	759551283100	IC-CHIP NCP803SN293T1 RESET	T 306	759550973400	TRANS 2N002
IC 111	759551283200	IC-CHIP NL175SZ00DFT2 SOT353	T 307	830100484800	SMD TRANS BC848B/ BC847B P
IC 112	759551282800	IC-CHIP NL175SZ00DFT2 SOT353	T 308	830100484800	SMD TRANS BC848B/ BC847B P
IC 113	759551114600	IC NCP1117DT18RK	T 310	830100484800	SMD TRANS BC848B/ BC847B P
IC 114	759551051300	IC LM358 DR2 /S08	T 311	830100484800	SMD TRANS BC848B/ BC847B P
IC 116	759551283300	IC-CHIP S29AL016-M90TF1010	T 312	830100484800	SMD TRANS BC848B/ BC847B P
IC 117	759551283400	IC-CHIP MT48LC8M16A2P-7E TS	T 314	830100484800	SMD TRANS BC848B/ BC847B P
IC 120	759551268600	IC-CHIP MM74HC4052D SO16	T 315	830100484800	SMD TRANS BC848B/ BC847B P
IC 210	759551267900	IC-CHIP NCP1117ST33T3G SOT-	T 318	830100484800	SMD TRANS BC848B/ BC847B P
IC 300	759551268000	IC-CHIP CM2021-00TR TSSOP	T 319	759550973400	TRANS 2N002
IC 301	759551268700	IC-CHIP MP1593DN-LF-Z DC-DC	T 320	830100385800	SMD TRANS BC858B/ BC857B P
IC 302	759551242700	IC MP1593DN-LF-Z DC-DC	T 321	830100385800	SMD TRANS BC858B/ BC857B P
IC 303	759551242700	IC MP1593DN-LF-Z DC-DC	T 322	830100484800	SMD TRANS BC848B/ BC847B P
IC 306	759551114600	IC NCP1117DT18RK	T 323	759550973400	TRANS 2N002
IC 307	759551060700	IC NCP1117DTARK (DPAK)	TU 100	759551283700	TUNER ENV77H20D8F
IC 308	759551060700	IC NCP1117DTARK (DPAK)	TU 301	759551283800	TUNER ENV57D9H6F-C1 PANASO
IC 309	759551268100	IC-CHIP TVP5150AM1PBSRG4 PQ	X 100	759551284000	QUARZ 27 MHZ SMU4-18-10/30
IC 310	759551268200	IC-CHIP MAX810STRG SOT23 RE	X 101	759551284100	QUARZ-CHIP 27 MHZ JV75B3-10
IC 311	759551268300	IC-CHIP MTV512GMV64 PLCC 80	X 102	759551283900	QUARZ 32.768 KHZ MTF32 12.5
IC 312	830544043100	IC TL431CLPRP MOT AV330 ER-	X 300	759880293900	QUARZ 12,0 MHZ 30PF HC49/U4
IC 314	759550542200	SMD IC M24C08N SC2.7	X 301	759880544700	QUARZ 14.31818 MHZ
IC 315	759550542200	SMD IC M24C08N SC2.7	X 302	759551269200	QUARZ 20.250 MHZ SMU-13-30/
IC 317	759551268400	IC-CHIP CS4334-KSZR SO8	Y 301	759880544700	QUARZ 14.31818 MHZ
IC 319	759551268500	IC-CHIP 74HC4052D SO16			
IC 320	759551268500	IC-CHIP 74HC4052D SO16			
IC 321	759551242000	IC CHIP MAX9704 ST D-AUD AM			
IC 323	759550970700	IC CHIP AT24C32AN-10SI-2.7			
IC 324	759551268700	IC-CHIP VCT 4993G-XM QFP 51			
IC 325	759551268600	IC-CHIP MM74HC4052D SO16			
IC 326	759551268600	IC-CHIP MM74HC4052D SO16			
IC 327	831900696700	OFWFL X6966M100 SIE			
IC 331	759551283500	IC FSA3357K8X			

ÄNDERUNGEN VORBEHALTEN / SUBJECT TO ALTERATION

LP-CHASSISMODUL LM
CHASSISBOARD LM

MATERIAL-NR. / PART NO.: 275990175700

POS. NR. POS. NO.	ABB. FIG.	MATERIAL-NR. PART NUMBER	ANZ. QTY.	BEZEICHNUNG D DE	DESCRIPTION GB
----------------------	--------------	-----------------------------	--------------	------------------------	-------------------

275990175700 LP-CHASSISMODUL LM

CHASSISBOARD LM

POS. NR. POS. NO.	MATERIAL-NR. PART NUMBER	BEZEICHNUNG DESCRIPTION	POS. NR. POS. NO.	MATERIAL-NR. PART NUMBER	BEZEICHNUNG DESCRIPTION
D 300	759551098600	DIODE STPS340U	IC 337	759550971100	IC CHIP KF25BDT
D 303	759551098600	DIODE STPS340U	IC 338	759551269000	IC-CHIP TDA7053AT SO16 0.5W
D 305	759551241900	DIODE CHIP IMBD4148	L 107	759872527500	SPULE 10UH+-20% 5152324
D 314	759530510400	DIODE BAV 99	L 300	759875814200	CHIP SPULE 1.2 UH
D 315	759530510400	DIODE BAV 99	L 326	759551199500	SPULE 3.3 UH 2.9A
D 316	759530510400	DIODE BAV 99	L 330	759551199500	SPULE 3.3 UH 2.9A
D 330	832521205300	SMD-DIODE BAT54A	L 334	759551199500	SPULE 3.3 UH 2.9A
			L 359	759550975200	SPULE 10 UH
IC 100	759551282600	IC-CHIP COFDM STV0361 TQFP4	L 360	759550975200	SPULE 10 UH
IC 101	759551282700	IC-CHIP NL17SZ32DFT2 G SOT3	L 367	759550541900	SMD SPULE 1UH K0805
IC 102	759551282700	IC-CHIP NL17SZ32DFT2 G SOT3	S 311	759551057900	KOPFHOERERBUCHSE YKB21-5103
IC 103	759551282800	IC-CHIP NL17SZ00DFT2 SOT353	S 313	759550922900	EURO AV BUCHSE
IC 104	759551282800	IC-CHIP NL17SZ00DFT2 SOT353	S 314	759550922900	EURO AV BUCHSE
IC 105	759551282800	IC-CHIP NL17SZ00DFT2 SOT353	T 100	759551283600	TRANS. PMV60EN N-CHAN.30V(D
IC 106	759551282900	IC-CHIP 74LVT373MTCX TSSOP2	T 101	759550973400	TRANS 2N002
IC 107	759551282900	IC-CHIP 74LVT373MTCX TSSOP2	T 102	759551098700	TRANS BC848BLT1G
IC 108	759551283000	IC-CHIP 74LVT245PW TSSOP20	T 106	830100385800	SMD TRANS BC858B/ BC857B P
IC 109	759551282900	IC-CHIP 74LVT373MTCX TSSOP2	T 108	759551098700	TRANS BC848BLT1G
IC 110	759551283100	IC-CHIP STI5516AUCL MPEG DE	T 300	759550968600	TRANS FDS9933A
IC 111	759551283200	IC-CHIP NCP803SN293T1 RESET	T 303	759550973400	TRANS 2N002
IC 112	759551282800	IC-CHIP NL17SZ00DFT2 SOT353	T 305	759551098700	TRANS BC848BLT1G
IC 113	759551114600	IC NCP1117DT18RK	T 306	759550973400	TRANS 2N002
IC 114	759551051300	IC LM358 DR2 /S08	T 307	759551098700	TRANS BC848BLT1G
IC 116	759551283300	IC-CHIP S29AL016-M90TFI010	T 308	759551098700	TRANS BC848BLT1G
IC 117	759551283400	IC-CHIP MT48LC8M16A2P-7E TS	T 310	759551098700	TRANS BC848BLT1G
IC 210	759551268600	IC-CHIP MM74HC4052D SO16	T 311	759551098700	TRANS BC848BLT1G
IC 300	759551267900	IC-CHIP NCP1117ST33T3G SOT-	T 312	759551098700	TRANS BC848BLT1G
IC 301	759551268000	IC-CHIP CM2021-00TR TSSOP	T 314	759551098700	TRANS BC848BLT1G
IC 302	759551242700	IC MP1593DN-LF-Z DC-DC	T 315	759551098700	TRANS BC848BLT1G
IC 304	759551242700	IC MP1593DN-LF-Z DC-DC	T 317	759551098700	TRANS BC848BLT1G
IC 306	759551114600	IC NCP1117DT18RK	T 318	759551098700	TRANS BC848BLT1G
IC 307	759551060700	IC NCP1117DTARK (DPAK)	T 319	759550973400	TRANS 2N002
IC 308	759551060700	IC NCP1117DTARK (DPAK)	T 320	830100685700	SMD-TRANS.BC 857 C
IC 309	759551268100	IC-CHIP TVP5150AM1PBSRG4 PQ	T 321	830100685700	SMD-TRANS.BC 857 C
IC 310	759551268200	IC-CHIP MAX810STRG SOT23 RE	T 322	759551098700	TRANS BC848BLT1G
IC 311	759551268300	IC-CHIP MTV512GMV64 PLCC 80	T 323	759550973400	TRANS 2N002
IC 312	830544043100	IC TL431CLPRP MOT AV330 ER-	X 300	759880293900	QUARZ 12.0 MHZ 30PF HC49/U4
IC 314	759550542200	SMD IC M24C08N SC2.7	X 301	759880544700	QUARZ 14.31818 MHZ
IC 315	759550542200	SMD IC M24C08N SC2.7	X 302	759551269200	QUARZ 20.250 MHZ SMU-13-30/
IC 317	759551268400	IC-CHIP CS4334-KSZR S08	Y 301	759880544700	QUARZ 14.31818 MHZ
IC 319	759551268500	IC-CHIP 74HC4052D SO16			
IC 320	759551268500	IC-CHIP 74HC4052D SO16			
IC 321	759551242000	IC CHIP MAX9704 ST D-AUD AM			
IC 323	759550970700	IC CHIP AT24C32AN-10SI-2.7			
IC 324	759551268700	IC-CHIP VCT 4993G-XM QFP 51			
IC 325	759551268600	IC-CHIP MM74HC4052D SO16			
IC 326	759551268600	IC-CHIP MM74HC4052D SO16			
IC 327	831900696700	OFWFIL X6966M100 SIE			
IC 331	759551283500	IC FSA3357K8X			
IC 332	759551283500	IC FSA3357K8X			
IC 334	759551268900	IC-CHIP MST6181LDA-LF LQFP			
IC 335	759551268800	IC-CHIP HY5DU283222BFP-33 F			

LP-CHASSISMODUL LM
CHASSISBOARD LM

MATERIAL-NR. / PART NO.: 275990181400

POS. NR. POS. NO.	ABB. FIG.	MATERIAL-NR. PART NUMBER	ANZ. QTY.	BEZEICHNUNG D DE	DESCRIPTION GB
----------------------	--------------	-----------------------------	--------------	------------------------	-------------------

275990181400 LP-CHASSISMODUL LM

CHASSISBOARD LM

POS. NR. POS. NO.	MATERIAL-NR. PART NUMBER	BEZEICHNUNG DESCRIPTION	POS. NR. POS. NO.	MATERIAL-NR. PART NUMBER	BEZEICHNUNG DESCRIPTION
D 300	759551098600	DIODE STPS340U	S 314	759550922900	EURO AV BUCHSE
D 305	759551241900	DIODE CHIP IMBD4148	T 102	759551098700	TRANS BC848BLT1G
D 314	759530510400	DIODE BAV 99	T 106	830100685700	SMD-TRANS.BC 857 C
D 315	759530510400	DIODE BAV 99	T 300	759550968600	TRANS FDS9933A
D 316	759530510400	DIODE BAV 99	T 303	759550973400	TRANS 2N002
			T 305	759551098700	TRANS BC848BLT1G
IC 300	759551267900	IC-CHIP NCP1117ST33T3G SOT-	T 306	759550973400	TRANS 2N002
IC 301	759551268000	IC-CHIP CM2021-00TR TSSOP	T 307	759551098700	TRANS BC848BLT1G
IC 302	759551242700	IC MP1593DN-LF-Z DC-DC	T 308	759551098700	TRANS BC848BLT1G
IC 306	759551114600	IC NCP1117DT18RK	T 310	759551098700	TRANS BC848BLT1G
IC 307	759551060700	IC NCP1117DTARK (DPAK)	T 311	759551098700	TRANS BC848BLT1G
IC 308	759551060700	IC NCP1117DTARK (DPAK)	T 312	759551098700	TRANS BC848BLT1G
IC 309	759551268100	IC-CHIP TVP5150AM1PBSRG4 PQ	T 314	759551098700	TRANS BC848BLT1G
IC 310	759551268200	IC-CHIP MAX810STRG SOT23 RE	T 315	759551098700	TRANS BC848BLT1G
IC 311	759551268300	IC-CHIP MTV512GMV64 PLCC 80	T 317	759551098700	TRANS BC848BLT1G
IC 312	830544043100	IC TL431CLPRP MOT AV330 ER-	T 318	759551098700	TRANS BC848BLT1G
IC 314	759550542200	SMD IC M24C08N SC2.7	T 319	759550973400	TRANS 2N002
IC 315	759550542200	SMD IC M24C08N SC2.7	T 320	830100685700	SMD-TRANS.BC 857 C
IC 317	759551268400	IC-CHIP CS4334-KSZR S08	T 321	830100685700	SMD-TRANS.BC 857 C
IC 319	759551268500	IC-CHIP 74HC4052D SO16	T 322	759551098700	TRANS BC848BLT1G
IC 320	759551268500	IC-CHIP 74HC4052D SO16	T 323	759550973400	TRANS 2N002
IC 321	759551242000	IC CHIP MAX9704 ST D-AUD AM	TU 301	759551269100	TUNER PANASONIC ENV57K23G3F
IC 323	759550970700	IC CHIP AT24C32AN-10SI-2.7			
IC 324	759551268700	IC-CHIP VCT 4993G-XM QFP 51			
IC 325	759551268600	IC-CHIP MM74HC4052D SO16			
IC 326	759551268600	IC-CHIP MM74HC4052D SO16			
IC 327	831900696700	OFWFIL X6966M100 SIE			
IC 331	759551283500	IC FSA3357K8X			
IC 332	759551283500	IC FSA3357K8X			
IC 334	759551268900	IC-CHIP MST6181LDA-LF LQFP			
IC 335	759551268800	IC-CHIP HY5DU283222BFP-33 F			
L 107	759872527500	SPULE 10UH+-20% 5152324			
L 300	759875814200	CHIP SPULE 1.2 UH			
L 326	759551199500	SPULE 3.3 UH 2.9A			
L 334	759551199500	SPULE 3.3 UH 2.9A			
L 359	759550975200	SPULE 10 UH			
L 360	759550975200	SPULE 10 UH			
L 367	759550541900	SMD SPULE 1UH K0805			
S 311	759551057900	KOPFHOERERBUCHSE YKB21-5103			
S 313	759550922900	EURO AV BUCHSE			

Es gelten die Vorschriften und Sicherheitshinweise gemäß dem Service Manual "Sicherheit", Mat.-Nummer 720108000001, sowie zusätzlich die eventuell abweichenden, landesspezifischen Vorschriften!



The regulations and safety instructions shall be valid as provided by the "Safety" Service Manual, part number 720108000001, as well as the respective national deviations.

ÄNDERUNGEN VORBEHALTEN / SUBJECT TO ALTERATION

Ersatzteilliste
Spare Parts List

NUR FÜR INTERNEN GEBRAUCH
FOR INTERNAL USE ONLY



9 / 2006

LP-CHASSISMODUL LM
CHASSISBOARD LM

MATERIAL-NR. / PART NO.: 275990182900

POS. NR. POS. NO.	ABB. FIG.	MATERIAL-NR. PART NUMBER	ANZ. QTY.	BEZEICHNUNG DESCRIPTION
----------------------	--------------	-----------------------------	--------------	----------------------------

275990182900 LP-CHASSISMODUL LM

CHASSISBOARD LM

POS. NR. POS. NO.	MATERIAL-NR. PART NUMBER	BEZEICHNUNG DESCRIPTION	POS. NR. POS. NO.	MATERIAL-NR. PART NUMBER	BEZEICHNUNG DESCRIPTION
----------------------	-----------------------------	----------------------------	----------------------	-----------------------------	----------------------------

D 300	759551098600	DIODE STPS340U	L 102	759550541800	SMD SPULE 22UH 20% 0805
D 303	759551098600	DIODE STPS340U	L 104	759550541800	SMD SPULE 22UH 20% 0805
D 305	759551241900	DIODE CHIP IMBD4148	L 105	759550541800	SMD SPULE 22UH 20% 0805
D 314	759530510400	DIODE BAV 99	L 106	759550541800	SMD SPULE 22UH 20% 0805
D 315	759530510400	DIODE BAV 99	L 107	759872527500	SPULE 10UH+20% 5152324
D 316	759530510400	DIODE BAV 99	L 300	759875814200	CHIP SPULE 1.2 UH
			L 326	759551199500	SPULE 3.3 UH 2.9A
			L 330	759551199500	SPULE 3.3 UH 2.9A
			L 334	759551199500	SPULE 3.3 UH 2.9A
			L 359	759550975200	SPULE 10 UH
			L 360	759550975200	SPULE 10 UH
			L 367	759550541900	SMD SPULE 1UH K0805
IC 100	759551282600	IC-CHIP COFDM STV0361 TQFP4	S 311	759551057900	KOPFHOERERBUCHSE YKB21-5103
IC 101	759551282700	IC-CHIP NL17SZ32DFT2 G SOT3	S 313	759550922900	EURO AV BUCHSE
IC 102	759551282700	IC-CHIP NL17SZ32DFT2 G SOT3	S 314	759550922900	EURO AV BUCHSE
IC 103	759551282800	IC-CHIP NL17SZ00DFT2 SOT353			
IC 104	759551282800	IC-CHIP NL17SZ00DFT2 SOT353			
IC 105	759551282800	IC-CHIP NL17SZ00DFT2 SOT353			
IC 106	759551282900	IC-CHIP 74LVT373MTCX TSSOP2	T 100	759551283600	TRANS. PMV60EN N-CHAN.30V
IC 107	759551282900	IC-CHIP 74LVT373MTCX TSSOP2	T 101	759550973400	TRANS 2N002
IC 108	759551283000	IC-CHIP 74LVT245PW TSSOP20	T 102	830100484800	SMD TRANS BC848B/ BC847B P
IC 109	759551282900	IC-CHIP 74LVT373MTCX TSSOP2	T 106	830100685700	SMD-TRANS.BC 857 C
IC 110	759551283100	IC-CHIP STI5516AUCL MPEG DE	T 108	830100484800	SMD TRANS BC848B/ BC847B P
IC 111	759551283200	IC-CHIP NCP803SN293T1 RESET	T 300	759550968600	TRANS FDS9933A
IC 112	759551282800	IC-CHIP NL17SZ00DFT2 SOT353	T 303	759550973400	TRANS 2N002
IC 113	759551114600	IC NCP1117DT18RK	T 305	830100484800	SMD TRANS BC848B/ BC847B P
IC 114	759551051300	IC LM358 DR2 /S08	T 306	759550973400	TRANS 2N002
IC 116	759551283300	IC-CHIP M24C08N-M90TFI010	T 307	830100484800	SMD TRANS BC848B/ BC847B P
IC 117	759551283400	IC-CHIP MT48LC8M16A2P-7E TS	T 308	830100484800	SMD TRANS BC848B/ BC847B P
IC 210	759551268600	IC-CHIP MM74HC4052D SO16	T 310	830100484800	SMD TRANS BC848B/ BC847B P
IC 300	759551267900	IC-CHIP NCP1117ST33T3G SOT-	T 311	830100484800	SMD TRANS BC848B/ BC847B P
IC 301	759551268000	IC-CHIP MC2021-00TR TSSOP	T 312	830100484800	SMD TRANS BC848B/ BC847B P
IC 302	759551242700	IC MP1593DN-LF-Z DC-DC	T 314	830100484800	SMD TRANS BC848B/ BC847B P
IC 304	759551242700	IC MP1593DN-LF-Z DC-DC	T 315	830100484800	SMD TRANS BC848B/ BC847B P
IC 306	759551114600	IC NCP1117DT18RK	T 317	830100484800	SMD TRANS BC848B/ BC847B P
IC 307	759551060700	IC NCP1117DTARK (DPAK)	T 318	830100484800	SMD TRANS BC848B/ BC847B P
IC 308	759551060700	IC NCP1117DTARK (DPAK)	T 319	759550973400	TRANS 2N002
IC 309	759551268100	IC-CHIP TVP5150AM1PBSRG4 PQ	T 320	830100685700	SMD-TRANS.BC 857 C
IC 310	759551268200	IC-CHIP MAX810STRG SOT23 RE	T 321	830100685700	SMD-TRANS.BC 857 C
IC 311	759551268300	IC-CHIP MTV512GMV64 PLCC 80	T 322	830100484800	SMD TRANS BC848B/ BC847B P
IC 314	759550542200	SMD IC M24C08N SC2.7	T 323	759550973400	TRANS 2N002
IC 315	759550542200	SMD IC M24C08N SC2.7			
IC 317	759551268400	IC-CHIP CS4334-KSZR SO8	T 320	830100685700	SMD-TRANS.BC 857 C
IC 319	759551268500	IC-CHIP 74HC4052D SO16	T 321	830100685700	SMD-TRANS.BC 857 C
IC 320	759551268500	IC-CHIP 74HC4052D SO16	T 322	830100484800	SMD TRANS BC848B/ BC847B P
IC 321	759551242000	IC CHIP MAX9704 ST D-AUD AM	T 323	759550973400	TRANS 2N002
IC 324	759551268700	IC-CHIP VCT 4993G-XM QFP 51	TU 100	759551283700	TUNER ENV77H20D8F
IC 325	759551268600	IC-CHIP MM74HC4052D SO16	TU 301	759551283800	TUNER ENV57DD9H6F-C1 PANASO
IC 326	759551268600	IC-CHIP MM74HC4052D SO16			
IC 327	831900696700	OFWFLIL X6966M100 SIE	X 100	759551284000	QUARZ 27 MHZ SMU4-18-10/30
IC 331	759551283500	IC FSA3357K8X	X 101	759551284100	QUARZ-CHIP 27 MHZ JV75B3-10
IC 332	759551283500	IC FSA3357K8X	X 102	759551283900	QUARZ 32.768 KHZ MTF32 12.5
IC 334	759551268900	IC-CHIP MST6181LDA-LF LQFP	X 300	759880293900	QUARZ 12.0 MHZ 30PF HC49/U4
IC 335	759551268900	IC-CHIP HY5DU283222BFP-33 F	X 301	759880544700	QUARZ 14.31818 MHZ
IC 337	759550971100	IC CHIP KF25BDT	X 302	759551269200	QUARZ 20.250 MHZ SMU-13-30/
IC 338	759551269000	IC-CHIP TDA7053AT SO16 0.5W			
			Y 301	759880544700	QUARZ 14.31818 MHZ

Ersatzteilliste
Spare Parts List

NUR FÜR INTERNEN GEBRAUCH
FOR INTERNAL USE ONLY



9 / 2006

LP-CHASSISMODUL LM
CHASSISBOARD LM

MATERIAL-NR. / PART NO.: 275990183200

POS. NR. POS. NO.	ABB. FIG.	MATERIAL-NR. PART NUMBER	ANZ. QTY.	BEZEICHNUNG DESCRIPTION
----------------------	--------------	-----------------------------	--------------	----------------------------

275990183200 LP-CHASSISMODUL LM

CHASSISBOARD LM

POS. NR. POS. NO.	MATERIAL-NR. PART NUMBER	BEZEICHNUNG DESCRIPTION	POS. NR. POS. NO.	MATERIAL-NR. PART NUMBER	BEZEICHNUNG DESCRIPTION
----------------------	-----------------------------	----------------------------	----------------------	-----------------------------	----------------------------

D 300	759551098600	DIODE STPS340U	L 102	759550541800	SMD SPULE 22UH 20% 0805
D 303	759551098600	DIODE STPS340U	L 104	759550541800	SMD SPULE 22UH 20% 0805
D 305	759551241900	DIODE CHIP IMBD4148	L 105	759550541800	SMD SPULE 22UH 20% 0805
D 314	759530510400	DIODE BAV 99	L 106	759550541800	SMD SPULE 22UH 20% 0805
D 315	759530510400	DIODE BAV 99	L 107	759872527500	SPULE 10UH+20% 5152324 *VS
D 316	759530510400	DIODE BAV 99	L 300	759875814200	CHIP SPULE 1.2 UH *VS8250
			L 326	759551199500	SPULE 3.3 UH 2.9A
			L 330	759551199500	SPULE 3.3 UH 2.9A
			L 334	759551199500	SPULE 3.3 UH 2.9A
			L 359	759550975200	SPULE 10 UH
			L 360	759550975200	SPULE 10 UH
			L 367	759550541900	SMD SPULE 1UH K0805
IC 100	759551282600	IC-CHIP COFDM STV0361 TQFP4	S 311	759551057900	KOPFHOERERBUCHSE YKB21-5103
IC 101	759551282700	IC-CHIP NL17SZ32DFT2 G SOT3	S 313	759550922900	EURO AV BUCHSE
IC 102	759551282700	IC-CHIP NL17SZ32DFT2 G SOT3	S 314	759550922900	EURO AV BUCHSE
IC 103	759551282800	IC-CHIP NL17SZ00DFT2 SOT353			
IC 104	759551282800	IC-CHIP NL17SZ00DFT2 SOT353			
IC 105	759551282800	IC-CHIP NL17SZ00DFT2 SOT353			
IC 106	759551282900	IC-CHIP 74LVT373MTCX TSSOP2	T 100	759551283600	TRANS. PMV60EN N-CHAN.30V(D)
IC 107	759551282900	IC-CHIP 74LVT373MTCX TSSOP2	T 101	759550973400	TRANS 2N002
IC 108	759551283000	IC-CHIP 74LVT245PW TSSOP20	T 102	759551098700	TRANS BC848BLT1G
IC 109	759551282900	IC-CHIP 74LVT373MTCX TSSOP2	T 106	830100685700	SMD-TRANS.BC 857 C
IC 110	759551283100	IC-CHIP STI5516AUCL MPEG DE	T 108	759551098700	TRANS FDS9933A
IC 111	759551283200	IC-CHIP NCP803SN293T1 RESET	T 300	759550973400	TRANS 2N002
IC 112	759551282800	IC-CHIP NL17SZ00DFT2 SOT353	T 303	830100484800	SMD TRANS BC848BLT1G
IC 113	759551114600	IC NCP1117DT18RK	T 306	759550973400	TRANS 2N002
IC 114	759551051300	IC LM358 DR2 /S08	T 307	759551098700	TRANS BC848BLT1G
IC 116	759551283300	IC-CHIP M24C08N-M90TFI010	T 308	759551098700	TRANS BC848BLT1G
IC 117	759551283400	IC-CHIP MT48LC8M16A2P-7E TS	T 309	759551098700	TRANS BC848BLT1G
IC 210	759551268600	IC-CHIP MM74HC4052D SO16	T 310	759551098700	TRANS BC848BLT1G
IC 300	759551267900	IC-CHIP NCP1117ST33T3G SOT-	T 311	759551098700	TRANS BC848BLT1G
IC 301	759551268000	IC-CHIP MC2021-00TR TSSOP	T 312	759551098700	TRANS BC848BLT1G
IC 302	759551242700	IC MP1593DN-LF-Z DC-DC	T 314	759551098700	TRANS BC848BLT1G
IC 304	759551242700	IC MP1593DN-LF-Z DC-DC	T 315	759551098700	TRANS BC848BLT1G
IC 306	759551114600	IC NCP1117DT18RK	T 317	759551060700	IC NCP1117DTARK (DPAK)
IC 307	759551060700	IC NCP1117DTARK (DPAK)	T 318	759551060700	IC NCP1117DTARK (DPAK)
IC 308	759551060700	IC NCP1117DTARK (DPAK)	T 319	759551268100	IC-CHIP TVP5150AM1PBSRG4 PQ
IC 309	759551268100	IC-CHIP TVP5150AM1PBSRG4 PQ	T 314	759551098700	TRANS BC848BLT1G
IC 310	759551268200	IC-CHIP MAX810STRG SOT23 RE	T 315	759551098700	TRANS BC848BLT1G
IC 311	759551268300	IC-CHIP MTV512GMV64 PLCC 80	T 317	759551098700	TRANS BC848BLT1G
IC 314	759550542200	SMD IC M24C08N SC2.7	T 318	759551098700	TRANS BC848BLT1G
IC 315	759550542200	SMD IC M24C08N SC2.7	T 319	759550973400	TRANS 2N002
IC 317	759551268400	IC-CHIP CS4334-KSZR SO8	T 320	830100685700	SMD-TRANS.BC 857 C
IC 319	759551268500	IC-CHIP 74HC4052D SO16	T 321	830100685700	SMD-TRANS.BC 857 C
IC 320	759551268500	IC-CHIP 74HC4052D SO16	T 322	759551098700	TRANS BC848BLT1G
IC 321	759551242000	IC CHIP MAX9704 ST D-AUD AM	T 323	759550973400	TRANS 2N002
IC 324	759551268700	IC-CHIP VCT 4993G-XM QFP 51	TU 100	759551283700	TUNER ENV77H20D8F
IC 325	759551268600	IC-CHIP MM74HC4052D SO16	TU 301	759551283800	TUNER ENV57DD9H6F-C1 PANASO
IC 326	759551268600	IC-CHIP MM74HC4052D SO16			
IC 327	831900696700	OFWFLIL X6966M100 SIE	X 100	759551284000	QUARZ 27 MHZ SMU4-18-10/30
IC 331	759551283500	IC FSA3357K8X	X 101	759551284100	QUARZ-CHIP 27 MHZ JV75B3-10
IC 332	759551283500	IC FSA3357K8X	X 102	759551283900	QUARZ 32.768 KHZ MTF32 12.5
IC 334	759551268900	IC-CHIP MST6181LDA-LF LQFP	X 300	759880293900	QUARZ 12.0 MHZ 30PF HC49/U4
IC 335	759551268900	IC-CHIP HY5DU283222BFP-33 F	X 301	759880544700	QUARZ 14.31818 MHZ
IC 337	759550971100	IC CHIP KF25BDT	X 302	759551269200	QUARZ 20.250 MHZ SMU-13-30/
IC 338	759551269000	IC-CHIP TDA7053AT SO16 0.5W			
			Y 301	759880544700	QUARZ 14.31818 MHZ

Ersatzteilliste
Spare Parts List

NUR FÜR INTERNEN GEBRAUCH
FOR INTERNAL USE ONLY



9 / 2006

LP-CHASSISMODUL LM
CHASSISBOARD LM

MATERIAL-NR. / PART NO.: 275990184900

POS. NR. POS. NO.	ABB. FIG.	MATERIAL-NR. PART NUMBER	ANZ. QTY.	BEZEICHNUNG DESCRIPTION (D) (GB)
----------------------	--------------	-----------------------------	--------------	---

275990184900 LP-CHASSISMODUL LM

CHASSISBOARD LM

POS. NR. POS. NO.	MATERIAL-NR. PART NUMBER	BEZEICHNUNG DESCRIPTION	POS. NR. POS. NO.	MATERIAL-NR. PART NUMBER	BEZEICHNUNG DESCRIPTION
D 300	759551098600	DIODE STPS340U	T 102	759551098700	TRANS BC848BLT1G
D 305	759551241900	DIODE CHIP IMBD4148	T 106	830100685700	SMD-TRANS.BC 857 C
D 314	759530510400	DIODE BAV 99	T 300	759550968600	TRANS FDS9933A
D 315	759530510400	DIODE BAV 99	T 303	759550973400	TRANS 2N002
D 316	759530510400	DIODE BAV 99	T 305	759551098700	TRANS BC848BLT1G
			T 306	759550973400	TRANS 2N002
IC 300	759551267900	IC-CHIP NCP1117ST33T3G SOT-	T 307	759551098700	TRANS BC848BLT1G
IC 301	759551268000	IC-CHIP CM2021-00TR TSSOP	T 308	759551098700	TRANS BC848BLT1G
IC 302	759551242700	IC MP1593DN-LF-Z DC-DC	T 310	759551098700	TRANS BC848BLT1G
IC 306	759551114600	IC NCP1117DT18RK	T 311	759551098700	TRANS BC848BLT1G
IC 307	759551060700	IC NCP1117DTARK (DPAK)	T 312	759551098700	TRANS BC848BLT1G
IC 308	759551060700	IC NCP1117DTARK (DPAK)	T 314	759551098700	TRANS BC848BLT1G
IC 309	759551268100	IC-CHIP TVP5150AM1PBSRG4 P	T 315	759551098700	TRANS BC848BLT1G
IC 310	759551268200	IC-CHIP MAX810STRG SOT23 RE	T 317	759551098700	TRANS BC848BLT1G
IC 311	759551268300	IC-CHIP MTV512GMV64 PLCC 80	T 318	759551098700	TRANS BC848BLT1G
IC 312	830544043100	IC TL431CLPRP MOT AV330 ER-	T 319	759550973400	TRANS 2N002
IC 314	759550542200	SMD IC M24C08N SC2.7	T 320	830100685700	SMD-TRANS.BC 857 C
IC 315	759550542200	SMD IC M24C08N SC2.7	T 321	830100685700	SMD-TRANS.BC 857 C
IC 317	759551268400	IC-CHIP CS4334-KSZR SO8	T 322	759551098700	TRANS BC848BLT1G
IC 319	759551268500	IC-CHIP 74HC4052D SO16	T 323	759550973400	TRANS 2N002
IC 320	759551268500	IC-CHIP 74HC4052D SO16			
IC 321	759551242000	IC CHIP MAX9704 ST D-AUD AM	TU 301	759551269100	TUNER PANASONIC ENV57K23G3F
IC 323	759550970700	IC CHIP AT24C32AN-10SI-2.7			
IC 324	759551268700	IC-CHIP VCT 4993G-XM QFP 51	X 300	759880293900	QUARZ 12,0 MHZ 30PF HC49/U4
IC 325	759551268600	IC-CHIP MM74HC4052D SO16	X 301	759880544700	QUARZ 14.31818 MHZ
IC 326	759551268600	IC-CHIP MM74HC4052D SO16	X 302	759551269200	QUARZ 20.250 MHZ SMU-13-30/
IC 327	831900696700	OFWFL X6966M100 SIE			
IC 334	759551268900	IC-CHIP MST6181LDA-LF LQFP	Y 301	759880544700	QUARZ 14.31818 MHZ
IC 335	759551268800	IC-CHIP HY5DU283222BFP-33 F			
IC 337	759550971100	IC CHIP KF25BDT			
IC 338	759551269000	IC-CHIP TDA7053AT SO16 0.5W			
L 107	759872527500	SPULE 10UH+-20% 5152324			
L 300	759875814200	CHIP SPULE 1.2 UH			
L 326	759551199500	SPULE 3.3 UH 2.9A			
L 334	759551199500	SPULE 3.3 UH 2.9A			
L 359	759550975200	SPULE 10 UH			
L 360	759550975200	SPULE 10 UH			
L 367	759550541900	SMD SPULE 1UH K0805			
S 311	759551057900	KOPFHOERERBUCHSE YKB21-5103			
S 313	759550922900	EURO AV BUCHSE			
S 314	759550922900	EURO AV BUCHSE			

Es gelten die Vorschriften und Sicherheitshinweise gemäß dem Service Manual "Sicherheit", Mat.-Nummer 720108000001, sowie zusätzlich die eventuell abweichenden, landesspezifischen Vorschriften!



The regulations and safety instructions shall be valid as provided by the "Safety" Service Manual, part number 720108000001, as well as the respective national deviations.

ÄNDERUNGEN VORBEHALTEN / SUBJECT TO ALTERATION

Ersatzteilliste
Spare Parts List

NUR FÜR INTERNEN GEBRAUCH
FOR INTERNAL USE ONLY



9 / 2006

LP-CHASSISMODUL LM
CHASSISBOARD LM

MATERIAL-NR. / PART NO.: 275990185000

POS. NR. POS. NO.	ABB. FIG.	MATERIAL-NR. PART NUMBER	ANZ. QTY.	BEZEICHNUNG DESCRIPTION (D) (GB)
----------------------	--------------	-----------------------------	--------------	---

275990185000 LP-CHASSISMODUL LM

CHASSISBOARD LM

POS. NR. POS. NO.	MATERIAL-NR. PART NUMBER	BEZEICHNUNG DESCRIPTION	POS. NR. POS. NO.	MATERIAL-NR. PART NUMBER	BEZEICHNUNG DESCRIPTION
D 300	759551098600	DIODE STPS340U	T 102	759551098700	TRANS BC848BLT1G
D 305	759551241900	DIODE CHIP IMBD4148	T 106	830100685700	SMD-TRANS.BC 857 C
D 314	759530510400	DIODE BAV 99	T 300	759550968600	TRANS FDS9933A
D 315	759530510400	DIODE BAV 99	T 303	759550973400	TRANS 2N002
D 316	759530510400	DIODE BAV 99	T 305	759551098700	TRANS BC848BLT1G
			T 306	759550973400	TRANS 2N002
IC 300	759551267900	IC-CHIP NCP1117ST33T3G SOT-	T 307	759551098700	TRANS BC848BLT1G
IC 301	759551268000	IC-CHIP CM2021-00TR TSSOP	T 308	759551098700	TRANS BC848BLT1G
IC 302	759551242700	IC MP1593DN-LF-Z DC-DC	T 310	759551098700	TRANS BC848BLT1G
IC 306	759551114600	IC NCP1117DT18RK	T 311	759551098700	TRANS BC848BLT1G
IC 307	759551060700	IC NCP1117DTARK (DPAK)	T 312	759551098700	TRANS BC848BLT1G
IC 308	759551060700	IC NCP1117DTARK (DPAK)	T 314	759551098700	TRANS BC848BLT1G
IC 309	759551268100	IC-CHIP TVP5150AM1PBSRG4 P	T 315	759551098700	TRANS BC848BLT1G
IC 310	759551268200	IC-CHIP MAX810STRG SOT23 RE	T 317	759551098700	TRANS BC848BLT1G
IC 311	759551268300	IC-CHIP MTV512GMV64 PLCC 80	T 318	759551098700	TRANS BC848BLT1G
IC 312	830544043100	IC TL431CLPRP MOT AV330 ER-	T 319	759550973400	TRANS 2N002
IC 314	759550542200	SMD IC M24C08N SC2.7	T 320	830100685700	SMD-TRANS.BC 857 C
IC 315	759550542200	SMD IC M24C08N SC2.7	T 321	830100685700	SMD-TRANS.BC 857 C
IC 317	759551268400	IC-CHIP CS4334-KSZR SO8	T 322	759551098700	TRANS BC848BLT1G
IC 319	759551268500	IC-CHIP 74HC4052D SO16	T 323	759550973400	TRANS 2N002
IC 320	759551268500	IC-CHIP 74HC4052D SO16			
IC 321	759551242000	IC CHIP MAX9704 ST D-AUD AM	TU 301	759551269100	TUNER PANASONIC ENV57K23G3F
IC 323	759550970700	IC CHIP AT24C32AN-10SI-2.7			
IC 324	759551268700	IC-CHIP VCT 4993G-XM QFP 51	X 300	759880293900	QUARZ 12,0 MHZ 30PF HC49/U4
IC 325	759551268600	IC-CHIP MM74HC4052D SO16	X 301	759880544700	QUARZ 14.31818 MHZ
IC 326	759551268600	IC-CHIP MM74HC4052D SO16	X 302	759551269200	QUARZ 20.250 MHZ SMU-13-30/
IC 327	831900696700	OFWFL X6966M100 SIE			
IC 334	759551268900	IC-CHIP MST6181LDA-LF LQFP	Y 301	759880544700	QUARZ 14.31818 MHZ
IC 335	759551268800	IC-CHIP HY5DU283222BFP-33 F			
IC 337	759550971100	IC CHIP KF25BDT			
IC 338	759551269000	IC-CHIP TDA7053AT SO16 0.5W			
L 107	759872527500	SPULE 10UH+-20% 5152324			
L 300	759875814200	CHIP SPULE 1.2 UH			
L 326	759551199500	SPULE 3.3 UH 2.9A			
L 334	759551199500	SPULE 3.3 UH 2.9A			
L 359	759550975200	SPULE 10 UH			
L 360	759550975200	SPULE 10 UH			
L 367	759550541900	SMD SPULE 1UH K0805			
S 311	759551057900	KOPFHOERERBUCHSE YKB21-5103			
S 313	759550922900	EURO AV BUCHSE			
S 314	759550922900	EURO AV BUCHSE			

Es gelten die Vorschriften und Sicherheitshinweise gemäß dem Service Manual "Sicherheit", Mat.-Nummer 720108000001, sowie zusätzlich die eventuell abweichenden, landesspezifischen Vorschriften!



The regulations and safety instructions shall be valid as provided by the "Safety" Service Manual, part number 720108000001, as well as the respective national deviations.

ÄNDERUNGEN VORBEHALTEN / SUBJECT TO ALTERATION

Ersatzteilliste
Spare Parts List

NUR FÜR INTERNEN GEBRAUCH
FOR INTERNAL USE ONLY



11 / 2006

LP-CHASSISMODUL LM
CHASSISBOARD LM

MATERIAL-NR. / PART NO.: 275990187500

POS. NR. POS. NO.	ABB. FIG.	MATERIAL-NR. PART NUMBER	ANZ. QTY.	BEZEICHNUNG DESCRIPTION	POS. NR. POS. NO.	MATERIAL-NR. PART NUMBER	ANZ. QTY.	BEZEICHNUNG DESCRIPTION
				(D)				
275990187500 LP-CHASSISMODUL LM					CHASSISBOARD LM			
D 300		759551098600		DIODE STPS340U	IC 338	759551269000		IC-CHIP TDA7053AT SO16 0.5W
D 303		759551098600		DIODE STPS340U	L 102	759550541800		SMD SPULE 22UH 20% 0805
D 305		759551241900		DIODE CHIP IMBD4148	L 104	759550541800		SMD SPULE 22UH 20% 0805
D 314		759530510400		DIODE BAV 99	L 105	759550541800		SMD SPULE 22UH 20% 0805
D 315		759530510400		DIODE BAV 99	L 106	759550541800		SMD SPULE 22UH 20% 0805
D 316		759530510400		DIODE BAV 99	L 107	759872527500		SPULE 10UH+-20% 5152324 *VS
D 330		830931205400		SMD-DIODE BAT 54	L 300	759875814200		CHIP SPULE 1.2 UH *VS8250
IC 100		759551282600		IC-CHIP COFDM STV0361 TQFP4	L 326	759551199500		SPULE 3.3 UH 2.9A
IC 101		759551282700		IC-CHIP NL17SZ32DFT2 G SOT3	L 330	759551199500		SPULE 3.3 UH 2.9A
IC 102		759551282700		IC-CHIP NL17SZ32DFT2 G SOT3	L 334	759551199500		SPULE 3.3 UH 2.9A
IC 103		759551282800		IC-CHIP NL17SZ00DFT2 SOT353	L 359	759550975200		SPULE 10 UH
IC 104		759551282800		IC-CHIP NL17SZ00DFT2 SOT353	L 360	759550975200		SPULE 10 UH
IC 105		759551282800		IC-CHIP NL17SZ00DFT2 SOT353	L 367	759550541900		SMD SPULE 1UH K0805
IC 106		759551282900		IC-CHIP 74LVT373MTCX TSSOP2	S 311	759551057900		KOPFHOERERBUCHSE YKB21-5103
IC 107		759551282900		IC-CHIP 74LVT373MTCX TSSOP2	S 313	759550922900		EURO AV BUCHSE
IC 108		759551283000		IC-CHIP 74LVT245PW TSSOP20	S 314	759550922900		EURO AV BUCHSE
IC 109		759551282900		IC-CHIP 74LVT373MTCX TSSOP2	T 100	759551283600		TRANS. PMV60EN N-CHAN.30V(D
IC 110		759551283100		IC-CHIP STI5516AUCL MPEG DE	T 101	759550973400		TRANS 2N002
IC 111		759551283200		IC-CHIP NCP803SN293T1 RESET	T 102	830100484800		SMD TRANS BC848B/ BC847B P
IC 112		759551282800		IC-CHIP NL17SZ00DFT2 SOT353	T 106	830100685700		SMD-TRANS.BC 857 C
IC 113		759551114600		IC NCP1117DT18RK	T 108	830100484800		SMD TRANS BC848B/ BC847B P
IC 114		759551051300		IC LM358 DR2 /S08	T 300	759550968600		TRANS FDS9933A
IC 116		759551283300		IC-CHIP S29AL016-M90TFI010	T 303	759550973400		TRANS 2N002
IC 117		759551283400		IC-CHIP MT48LC8M16A2P-7E TS	T 305	830100484800		SMD TRANS BC848B/ BC847B P
IC 210		759551268600		IC-CHIP MM74HC4052D SO16	T 306	759550973400		TRANS 2N002
IC 300		759551267900		IC-CHIP NCP1117ST33T3G SOT-	T 307	830100484800		SMD TRANS BC848B/ BC847B P
IC 301		759551268000		IC-CHIP CM2021-00TR TSSOP	T 308	830100484800		SMD TRANS BC848B/ BC847B P
IC 302		759551242700		IC MP1593DN-LF-Z DC-DC	T 310	830100484800		SMD TRANS BC848B/ BC847B P
IC 304		759551242700		IC MP1593DN-LF-Z DC-DC	T 311	830100484800		SMD TRANS BC848B/ BC847B P
IC 306		759551114600		IC NCP1117DT18RK	T 312	830100484800		SMD TRANS BC848B/ BC847B P
IC 307		759551060700		IC NCP1117DTARK (DPAK)	T 314	830100484800		SMD TRANS BC848B/ BC847B P
IC 308		759551060700		IC NCP1117DTARK (DPAK)	T 315	830100484800		SMD TRANS BC848B/ BC847B P
IC 309		759551268100		IC-CHIP TVP5150AM1PBSRG4 PQ	T 317	830100484800		SMD TRANS BC848B/ BC847B P
IC 310		759551268200		IC-CHIP MAX810STRG SOT23 RE	T 318	830100484800		SMD TRANS BC848B/ BC847B P
IC 311		759551268300		IC-CHIP MTV1512GMV64 PLCC 80	T 319	759550973400		TRANS 2N002
IC 312		830544043100		IC TL431CLPRP MOT AV330 ER-	T 320	830100685700		SMD-TRANS.BC 857 C
IC 314		759550542200		SMD IC M24C08N SC2.7	T 321	830100685700		SMD-TRANS.BC 857 C
IC 315		759550542200		SMD IC M24C08N SC2.7	T 322	830100484800		SMD TRANS BC848B/ BC847B P
IC 317		759551268400		IC-CHIP CS4334-KSZR SO8	T 323	759550973400		TRANS 2N002
IC 319		759551268500		IC-CHIP 74HC4052D SO16	TU 100	759551283700		TUNER ENV77H20D8F
IC 320		759551268500		IC-CHIP 74HC4052D SO16	TU 301	759551283800		TUNER ENV57DD9H6F-C1 PANASO
IC 321		759551242000		IC CHIP MAX9704 ST D-AUD AM	X 100	759551284000		QUARZ 27 MHZ SMU4-18-10/30
IC 323		759550970700		IC CHIP AT24C32AN-10SI-2.7	X 101	759551284100		QUARZ-CHIP 27 MHZ JV75B3-10
IC 324		759551321900		VCT4997R-XM QFP ITU656 IC-C	X 102	759551283900		QUARZ 32.768 KHZ MTF32 12.5
IC 325		759551268600		IC-CHIP MM74HC4052D SO16	X 300	759880293900		QUARZ 12,0 MHZ 30PF HC49/U4
IC 326		759551268600		IC-CHIP MM74HC4052D SO16	X 301	759880544700		QUARZ 14.31818 MHZ
IC 327		831900696700		OFWFL X6966M100 SIE	X 302	759551269200		QUARZ 20.250 MHZ SMU-13-30/
IC 328		759551322000		K6R4008V1D-UI10 44-TSOP2 4M	Y 301	759880544700		QUARZ 14.31818 MHZ
IC 329		759551322100		M29W040B90N6 IC-CHIP				
IC 331		759551283500		IC FSA3357K8X				
IC 332		759551283500		IC FSA3357K8X				
IC 334		759551268900		IC-CHIP MST6181LDA-LF LQFP				
IC 335		759551268800		IC-CHIP HY5DU283222BFP-33 F				
IC 337		759550971100		IC CHIP KF25BDT				

Ersatzteilliste
Spare Parts List

NUR FÜR INTERNEN GEBRAUCH
FOR INTERNAL USE ONLY



11 / 2006

LP-CHASSISMODUL LM
CHASSISBOARD LM

MATERIAL-NR. / PART NO.: 275990187600

POS. NR. POS. NO.	ABB. FIG.	MATERIAL-NR. PART NUMBER	ANZ. QTY.	BEZEICHNUNG DESCRIPTION	POS. NR. POS. NO.	MATERIAL-NR. PART NUMBER	ANZ. QTY.	BEZEICHNUNG DESCRIPTION
				(D)				
275990187600 LP-CHASSISMODUL LM					CHASSISBOARD LM			
D 300		759551098600		DIODE STPS340U	IC 338	759551269000		IC-CHIP TDA7053AT SO16 0.5W
D 303		759551098600		DIODE STPS340U	L 102	759550541800		SMD SPULE 22UH 20% 0805
D 305		759551241900		DIODE CHIP IMBD4148	L 104	759550541800		SMD SPULE 22UH 20% 0805
D 314		759530510400		DIODE BAV 99	L 105	759550541800		SMD SPULE 22UH 20% 0805
D 315		759530510400		DIODE BAV 99	L 106	759550541800		SMD SPULE 22UH 20% 0805
D 316		759530510400		DIODE BAV 99	L 107	759872527500		SPULE 10UH+-20% 5152324
D 330		830931205400		SMD-DIODE BAT 54	L 300	759875814200		CHIP SPULE 1.2 UH
IC 100		759551282600		IC-CHIP COFDM STV0361 TQFP4	L 326	759551199500		SPULE 3.3 UH 2.9A
IC 101		759551282700		IC-CHIP NL17SZ32DFT2 G SOT3	L 330	759551199500		SPULE 3.3 UH 2.9A
IC 102		759551282700		IC-CHIP NL17SZ32DFT2 G SOT3	L 334	759551199500		SPULE 3.3 UH 2.9A
IC 103		759551282800		IC-CHIP NL17SZ00DFT2 SOT353	L 359	759550975200		SPULE 10 UH
IC 104		759551282800		IC-CHIP NL17SZ00DFT2 SOT353	L 360	759550975200		SPULE 10 UH
IC 105		759551282800		IC-CHIP NL17SZ00DFT2 SOT353	L 367	759550541900		SMD SPULE 1UH K0805
IC 106		759551282900		IC-CHIP 74LVT373MTCX TSSOP2	S 311	759551057900		KOPFHOERERBUCHSE YKB21-5103
IC 107		759551282900		IC-CHIP 74LVT373MTCX TSSOP2	S 313	759550922900		EURO AV BUCHSE
IC 108		759551283000		IC-CHIP 74LVT245PW TSSOP20	S 314	759550922900		EURO AV BUCHSE
IC 109		759551282900		IC-CHIP 74LVT373MTCX TSSOP2	T 100	759551283600		TRANS. PMV60EN N-CHAN.30V(D
IC 110		759551283100		IC-CHIP STI5516AUCL MPEG DE	T 101	759550973400		TRANS 2N002
IC 111		759551283200		IC-CHIP NCP803SN293T1 RESET	T 102	830100484800		SMD TRANS BC848B/ BC847B P
IC 112		759551282800		IC-CHIP NL17SZ00DFT2 SOT353	T 106	830100685700		SMD-TRANS.BC 857 C
IC 113		759551114600		IC NCP1117DT18RK	T 108	830100484800		SMD TRANS BC848B/ BC847B P
IC 114		759551051300		IC LM358 DR2 /S08	T 300	759550968600		TRANS FDS9933A
IC 116		759551283300		IC-CHIP S29AL016-M90TFI010	T 303	759550973400		TRANS 2N002
IC 117		759551283400		IC-CHIP MT48LC8M16A2P-7E TS	T 305	830100484800		SMD TRANS BC848B/ BC847B P
IC 210		759551268600		IC-CHIP MM74HC4052D SO16	T 306	759550973400		TRANS 2N002
IC 300		759551267900		IC-CHIP NCP1117ST33T3G SOT-	T 307	830100484800		SMD TRANS BC848B/ BC847B P
IC 301		759551268000		IC-CHIP CM2021-00TR TSSOP	T 308	830100484800		SMD TRANS BC848B/ BC847B P
IC 302		759551242700		IC MP1593DN-LF-Z DC-DC	T 310	830100484800		SMD TRANS BC848B/ BC847B P
IC 304		759551242700		IC MP1593DN-LF-Z DC-DC	T 311	830100484800		SMD TRANS BC848B/ BC847B P
IC 306		759551114600		IC NCP1117DT18RK	T 312	830100484800		SMD TRANS BC848B/ BC847B P
IC 307		759551060700		IC NCP1117DTARK (DPAK)	T 314	830100484800		SMD TRANS BC848B/ BC847B P
IC 308		759551060700		IC NCP1117DTARK (DPAK)	T 315	830100484800		SMD TRANS BC848B/ BC847B P
IC 309		759551268100		IC-CHIP TVP5150AM1PBSRG4 PQ	T 317	830100484800		SMD TRANS BC848B/ BC847B P
IC 310		759551268200		IC-CHIP MAX810STRG SOT23 RE	T 318	830100484800		SMD TRANS BC848B/ BC847B P
IC 311		759551268300		IC-CHIP MTV1512GMV64 PLCC 80	T 319	759550973400		TRANS 2N002
IC 312		830544043100		IC TL431CLPRP MOT AV330 ER-	T 320	830100685700		SMD-TRANS.BC 857 C
IC 314		759550542200		SMD IC M24C08N SC2.7	T 321	830100685700		SMD-TRANS.BC 857 C
IC 315		759550542200		SMD IC M24C08N SC2.7	T 322	830100484800		SMD TRANS BC848B/ BC847B P
IC 317		759551268400		IC-CHIP CS4334-KSZR SO8	T 323	759550973400		TRANS 2N002
IC 319		759551268500		IC-CHIP 74HC4052D SO16	TU 100	759551283700		TUNER ENV77H20D8F
IC 320		759551268500		IC-CHIP 74HC4052D SO16	TU 301	759551283800		TUNER ENV57DD9H6F-C1 PANASO
IC 321		759551242000		IC CHIP MAX9704 ST D-AUD AM	X 100	759551284000		QUARZ 27 MHZ SMU4-18-10/30
IC 323		759550970700		IC CHIP AT24C32AN-10SI-2.7	X			

LP-CHASSISMODUL LM
CHASSISBOARD LM

MATERIAL-NR. / PART NO.: 275990187900

POS. NR. POS. NO.	ABB. FIG.	MATERIAL-NR. PART NUMBER	ANZ. QTY.	BEZEICHNUNG DESCRIPTION (GB)	
275990187900 LP-CHASSISMODUL LM CHASSISBOARD LM					
POS. NR. POS. NO.	MATERIAL-NR. PART NUMBER	BEZEICHNUNG DESCRIPTION	POS. NR. POS. NO.	MATERIAL-NR. PART NUMBER	BEZEICHNUNG DESCRIPTION
D 300	759551098600	DIODE STPS340U	IC 338	759551269000	IC-CHIP TDA7053AT SO16 0.5W
D 303	759551098600	DIODE STPS340U	L 102	759550541800	SMD SPULE 22UH 20% 0805
D 305	759551241900	DIODE CHIP IMBD4148	L 104	759550541800	SMD SPULE 22UH 20% 0805
D 314	759530510400	DIODE BAV 99	L 105	759550541800	SMD SPULE 22UH 20% 0805
D 315	759530510400	DIODE BAV 99	L 106	759550541800	SMD SPULE 22UH 20% 0805
D 316	759530510400	DIODE BAV 99	L 107	759872527500	SPULE 10UH+-20% 5152324
D 330	830931205400	SMD-DIODE BAT 54	L 107	759872527500	SPULE 10UH+-20% 5152324
			L 300	759875814200	CHIP SPULE 1.2 UH
IC 100	759551282600	IC-CHIP COFDM STV0361 TQFP4	L 326	759551199500	SPULE 3.3 UH 2.9A
IC 101	759551282700	IC-CHIP NL17SZ32DFT2 G SOT3	L 330	759551199500	SPULE 3.3 UH 2.9A
IC 102	759551282700	IC-CHIP NL17SZ32DFT2 G SOT3	L 334	759551199500	SPULE 3.3 UH 2.9A
IC 103	759551282800	IC-CHIP NL17SZ00DFT2 SOT353	L 359	759550975200	SPULE 10 UH
IC 104	759551282800	IC-CHIP NL17SZ00DFT2 SOT353	L 360	759550975200	SPULE 10 UH
IC 105	759551282800	IC-CHIP NL17SZ00DFT2 SOT353	L 367	759550541900	SMD SPULE 1UH K0805
IC 106	759551282900	IC-CHIP 74LVT373MTCX TSSOP2	S 311	759551057900	KOPFHOERERBUCH.YKB21-5103
IC 107	759551282900	IC-CHIP 74LVT373MTCX TSSOP2	S 313	759550922900	EURO AV BUCHSE
IC 108	759551283000	IC-CHIP 74LVT245PW TSSOP20	S 314	759550922900	EURO AV BUCHSE
IC 109	759551282900	IC-CHIP 74LVT373MTCX TSSOP2			
IC 110	759551283100	IC-CHIP STI5516AUCL MPEG DE	T 100	759551283600	TRANS. PMV60EN N-CHAN.30V(D
IC 111	759551283200	IC-CHIP NCP803SN293T1 RESET	T 101	759550973400	TRANS 2N002
IC 112	759551282800	IC-CHIP NL17SZ00DFT2 SOT353	T 102	830100484800	SMD TRANS BC848B/ BC847B P
IC 113	759551114600	IC NCP1117DT18RK	T 106	830100685700	SMD-TRANS.BC 857 C
IC 114	759551051300	IC LM358 DR2 /S08	T 108	830100484800	SMD TRANS BC848B/ BC847B P
IC 116	759551283300	IC-CHIP S29AL016-M90TFI010	T 108	759550968600	TRANS FDS9933A
IC 117	759551283400	IC-CHIP MT48LC8M16A2P-7E TS	T 300	759550973400	TRANS 2N002
IC 210	759551268600	IC-CHIP MM74HC4052D SO16	T 303	830100484800	SMD TRANS BC848B/ BC847B P
IC 300	759551267900	IC-CHIP NCP1117S33T3G SOT-	T 305	830100484800	SMD TRANS BC848B/ BC847B P
IC 301	759551268000	IC-CHIP CM2021-00TR TSSOP	T 306	759550973400	TRANS 2N002
IC 302	759551242700	IC MP1593DN-LF-Z DC-DC	T 307	830100484800	SMD TRANS BC848B/ BC847B P
IC 304	759551242700	IC MP1593DN-LF-Z DC-DC	T 308	830100484800	SMD TRANS BC848B/ BC847B P
IC 306	759551114600	IC NCP1117DT18RK	T 310	830100484800	SMD TRANS BC848B/ BC847B P
IC 307	759551060700	IC NCP1117DTARK (DPAK)	T 311	830100484800	SMD TRANS BC848B/ BC847B P
IC 308	759551060700	IC NCP1117DTARK (DPAK)	T 312	830100484800	SMD TRANS BC848B/ BC847B P
IC 309	759551268100	IC-CHIP TVP5150AM1PBSRG4 PQ	T 314	830100484800	SMD TRANS BC848B/ BC847B P
IC 310	759551268200	IC-CHIP MAX810STRG SOT23 RE	T 315	830100484800	SMD TRANS BC848B/ BC847B P
IC 311	759551268300	IC-CHIP MTV512GMV64 PLCC 80	T 317	830100484800	SMD TRANS BC848B/ BC847B P
IC 312	830544043100	IC TL431CLPRP MOT AV330 ER-	T 318	830100484800	SMD TRANS BC848B/ BC847B P
IC 314	759550542200	SMD IC M24C08N SC2.7	T 319	759550973400	TRANS 2N002
IC 315	759550542200	SMD IC M24C08N SC2.7	T 320	830100685700	SMD-TRANS.BC 857 C
IC 317	759551268400	IC-CHIP CS4334-KSZR SO8	T 321	830100685700	SMD-TRANS.BC 857 C
IC 319	759551268500	IC-CHIP 74HC4052D SO16	T 322	830100484800	SMD TRANS BC848B/ BC847B P
IC 320	759551268500	IC-CHIP 74HC4052D SO16	T 323	759550973400	TRANS 2N002
IC 321	759551242000	IC CHIP MAX9704 ST D-AUD AM			
IC 323	759550970700	IC CHIP AT24C32AN-10SI-2.7	TU 100	759551283700	TUNER ENV77H20D8F
IC 324	759551321900	VCT4997R-XM QFP ITU656 IC-C	TU 301	759551283800	TUNER ENV57DD9H6F-C1 PANASO
IC 325	759551268600	IC-CHIP MM74HC4052D SO16	IC 325	759551268600	IC-CHIP MM74HC4052D SO16
IC 326	759551268600	IC-CHIP MM74HC4052D SO16	X 100	759551284000	QUARZ 27 MHz SMAU4-18-10/30
IC 327	831900696700	OFWFL X6966M100 SIE	X 101	759551284100	QUARZ-CHIP 27 MHZ JV75B3-10
IC 328	759551322000	K6R4008V1D-UI10 44-TSOP2 4M	X 102	759551283900	QUARZ 32.768 KHZ MTF32 12,5
IC 329	759551322100	M29W040B90N6 IC-CHIP	X 300	759880293900	QUARZ 12,0 MHZ 30PF HC49/U4
IC 331	759551283500	IC FSA3357K8X	X 301	759880544700	QUARZ 14.31818 MHZ
IC 332	759551283500	IC FSA3357K8X	X 302	759551269200	QUARZ 20.250 MHZ SMU-13-30/
IC 334	759551268900	IC-CHIP MST6181LDA-LF LQFP			
IC 335	759551268800	IC-CHIP HY5DU283222BFP-33 F	Y 301	759880544700	QUARZ 14.31818 MHZ
IC 337	759550971100	IC CHIP KF25BDT			

LP-CHASSISMODUL LM
CHASSISBOARD LM

MATERIAL-NR. / PART NO.: 275990188000

POS. NR. POS. NO.	ABB. FIG.	MATERIAL-NR. PART NUMBER	ANZ. QTY.	BEZEICHNUNG DESCRIPTION (GB)	
275990188000 LP-CHASSISMODUL LM CHASSISBOARD LM					
POS. NR. POS. NO.	MATERIAL-NR. PART NUMBER	BEZEICHNUNG DESCRIPTION	POS. NR. POS. NO.	MATERIAL-NR. PART NUMBER	BEZEICHNUNG DESCRIPTION
D 300	759551098600	DIODE STPS340U	IC 338	759551269000	IC-CHIP TDA7053AT SO16 0.5W
D 303	759551098600	DIODE STPS340U	L 102	759550541800	SMD SPULE 22UH 20% 0805
D 305	759551241900	DIODE CHIP IMBD4148	L 104	759550541800	SMD SPULE 22UH 20% 0805
D 314	759530510400	DIODE BAV 99	L 105	759550541800	SMD SPULE 22UH 20% 0805
D 315	759530510400	DIODE BAV 99	L 106	759550541800	SMD SPULE 22UH 20% 0805
D 316	759530510400	DIODE BAV 99	L 107	759872527500	SPULE 10UH+-20% 5152324
D 330	830931205400	SMD-DIODE BAT 54	L 107	759872527500	SPULE 10UH+-20% 5152324
			L 300	759875814200	CHIP SPULE 1.2 UH
IC 100	759551282600	IC-CHIP COFDM STV0361 TQFP4	L 326	759551199500	SPULE 3.3 UH 2.9A
IC 101	759551282700	IC-CHIP NL17SZ32DFT2 G SOT3	L 330	759551199500	SPULE 3.3 UH 2.9A
IC 102	759551282700	IC-CHIP NL17SZ32DFT2 G SOT3	L 334	759551199500	SPULE 3.3 UH 2.9A
IC 103	759551282800	IC-CHIP NL17SZ00DFT2 SOT353	L 359	759550975200	SPULE 10 UH
IC 104	759551282800	IC-CHIP NL17SZ00DFT2 SOT353	L 360	759550975200	SPULE 10 UH
IC 105	759551282800	IC-CHIP NL17SZ00DFT2 SOT353	L 367	759550541900	SMD SPULE 1UH K0805
IC 106	759551282900	IC-CHIP 74LVT373MTCX TSSOP2	S 311	759551057900	KOPFHOERERBUCH.YKB21-5103
IC 107	759551282900	IC-CHIP 74LVT373MTCX TSSOP2	S 313	759550922900	EURO AV BUCHSE
IC 108	759551283000	IC-CHIP 74LVT245PW TSSOP20	S 314	759550922900	EURO AV BUCHSE
IC 109	759551282900	IC-CHIP 74LVT373MTCX TSSOP2			
IC 110	759551283100	IC-CHIP STI5516AUCL MPEG DE	T 100	759551283600	TRANS. PMV60EN N-CHAN.30V
IC 111	759551283200	IC-CHIP NCP803SN293T1 RESET	T 101	759550973400	TRANS 2N002
IC 112	759551282800	IC-CHIP NL17SZ00DFT2 SOT353	T 102	830100484800	SMD TRANS BC848B/ BC847B P
IC 113	759551114600	IC NCP1117DT18RK	T 106	830100685700	SMD-TRANS.BC 857 C
IC 114	759551051300	IC LM358 DR2 /S08	T 108	830100484800	SMD TRANS BC848B/ BC847B P
IC 116	759551283300	IC-CHIP S29AL016-M90TFI010	T 108	759550968600	TRANS FDS9933A
IC 117	759551283400	IC-CHIP MT48LC8M16A2P-7E TS	T 300	759550973400	TRANS 2N002
IC 210	759551268600	IC-CHIP MM74HC4052D SO16	T 303	830100484800	SMD TRANS BC848B/ BC847B P
IC 300	759551267900	IC-CHIP NCP1117S33T3G SOT-	T 305	830100484800	SMD TRANS BC848B/ BC847B P
IC 301	759551268000	IC-CHIP CM2021-00TR TSSOP	T 306	759550973400	TRANS 2N002
IC 302	759551242700	IC MP1593DN-LF-Z DC-DC	T 307	830100484800	SMD TRANS BC848B/ BC847B P
IC 304	759551242700	IC MP1593DN-LF-Z DC-DC	T 308	830100484800	SMD TRANS BC848B/ BC847B P
IC 306	759551114600	IC NCP1117DT18RK	T 310	830100484800	SMD TRANS BC848B/ BC847B P
IC 307	759551060700	IC NCP1117DTARK (DPAK)	T 311	830100484800	SMD TRANS BC848B/ BC847B P
IC 308	759551060700	IC NCP1117DTARK (DPAK)	T 312	830100484800	SMD TRANS BC848B/ BC847B P
IC 309	759551268100	IC-CHIP TVP5150AM1PBSRG4 PQ	T 314	830100484800	SMD TRANS BC848B/ BC847B P
IC 310	759551268200	IC-CHIP MAX810STRG SOT23 RE	T 315	830100484800	SMD TRANS BC848B/ BC847B P
IC 311	759551268300	IC-CHIP MTV512GMV64 PLCC 80	T 317	830100484800	SMD TRANS BC848B/ BC847B P
IC 312	830544043100	IC TL431CLPRP MOT AV330 ER-	T 318	830100484800	SMD TRANS BC848B/ BC847B P
IC 314	759550542200	SMD IC M24C08N SC2.7	T 319	759550973400	TRANS 2N002
IC 315	759550542200	SMD IC M24C08N SC2.7	T 320	830100685700	SMD-TRANS.BC 857 C
IC 317	759551268400	IC-CHIP CS4334-KSZR SO8	T 321	830100685700	SMD-TRANS.BC 857 C
IC 319	759551268500	IC-CHIP 74HC4052D SO16	T 322	830100484800	SMD TRANS BC848B/ BC847B P
IC 320	759551268500	IC-CHIP 74HC4052D SO16	T 323	759550973400	TRANS 2N002
IC 321	759551242000	IC CHIP MAX9704 ST D-AUD AM			
IC 323	759550970700	IC CHIP AT24C32AN-10SI-2.7	TU 100	759551283700	TUNER ENV77H20D8F
IC 324	759551321900	VCT4997R-XM QFP ITU656 IC-C	TU 301	759551283800	TUNER ENV57DD9H6F-C1 PANASO
IC 325	759551268600	IC-CHIP MM74HC4052D SO16	IC 325	759551268600	IC-CHIP MM74HC4052D SO16
IC 326	759551268600	IC-CHIP MM74HC4052D SO16	X 100	759551284000	QUARZ 20.250 MHZ SMU-13-30/
IC 327	831900696700	OFWFL X6966M100 SIE	X 101	759551284100	QUARZ-CHIP 27 MHZ JV75B3-10
IC 328	759551322000	K6R4008V1D-UI10 44-TSOP2 4M	X 102	759551283900	QUARZ 32.768 KHZ MTF32 12,5
IC 329	759551322100	M29W040B90N6 IC-CHIP	X 300	759880293900	QUARZ 12,0 MHZ 30PF HC49/U4
IC 331	759551283500	IC FSA3357K8X	X 301	759880544700	QUARZ 14.31818 MHZ
IC 332	759551283500	IC FSA3357K8X	X 302	759551269200	QUARZ 20.250 MHZ SMU-13-30/
IC 334	759551268900	IC-CHIP MST6181LDA-LF LQFP			
IC 335	759551268800	IC-CHIP HY5DU283222BFP-33 F	Y 301	759880544700	QUARZ 14.31818 MHZ
IC 337	759550971100	IC CHIP KF25BDT			

TV

**NUR FÜR INTERNEN GEBRAUCH
FOR INTERNAL USE ONLY**

Service Manual

1. Ergänzung / Supplement 1

Chassis LM

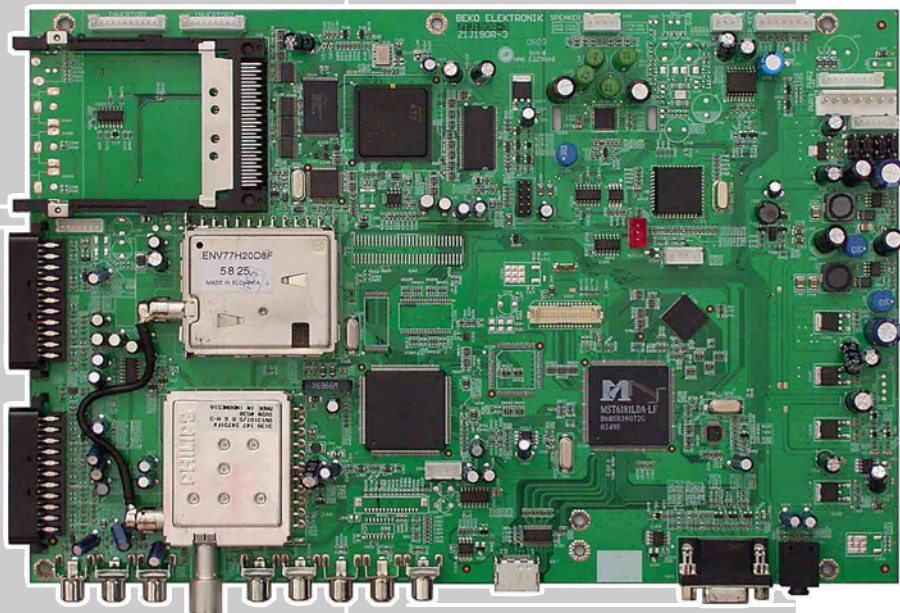
Lenaro 26

LXW 68-7731 IDTV GBG2200/GBG2300

Vivance 32

LXW 82-6710 REF

GBF4900



Zusätzlich erforderliche Unterlagen für den Komplettservice
Additionally required Service Documents for the Complete Service

Service Manual

Sicherheit
Safety

Materialnr./Part No.
72010800001

Service Manual

Chassis LM

Materialnr./Part No.
720100513000

Materialnummer / Part Number 720100513100

Änderungen vorbehalten / Subject to alteration

TCC 0507 MP • Prepared in Germany

<http://www.grundig.com>

Es gelten die Vorschriften und Sicherheitshinweise gemäß dem Service Manual "Sicherheit", Materialnummer 720108000001, sowie zusätzlich die eventuell abweichenden, landesspezifischen Vorschriften!



The regulations and safety instructions shall be valid as provided by the "Safety" Service Manual, part number 720108000001, as well as the respective national deviations.

Inhaltsverzeichnis

	Seite
Allgemeiner Teil	2...7
Einführung	2
Allgemeine Hinweise	2
Technische Daten	3
Service- und Sonderfunktionen	5
Platinenabbildungen und Schaltpläne	8...12
Netzteil.....	8
Buchsenplatte.....	11
IR/LED-Platte.....	11
Keyboards.....	11
Netzschalterplatten.....	12
Ersatzteillisten	13...19

Allgemeiner Teil

Einführung

In dieser Service-Manual-Ergänzung sind weitere Gerätevarianten dokumentiert, die mit dem Chassis LM ausgestattet sind.

Hinweis:

- Grundlage für den Service sind folgende Service Manuals:
- Service Manual Sicherheit, Materialnummer 720108000001
 - Service Manual Chassis LM, Materialnummer 7201000513000

Allgemeine Hinweise

Achtung: ESD-Vorschriften beachten

Vor dem Öffnen des Gehäuses zuerst den Netzstecker ziehen!

Leitungsverlegung

Bevor Sie die Leitungen und insbesondere die Masseleitungen lösen, muss die Leitungsverlegung zu den einzelnen Baugruppen beachtet werden.

Nach erfolgter Reparatur ist es notwendig, die Leitungsführung wieder in den werkseitigen Zustand zu versetzen um evtl. spätere Ausfälle oder Störungen zu vermeiden.

Durchführen von Messungen

Bei Messungen mit dem Oszilloskop an Halbleitern sollten Sie nur Tastköpfe mit 10:1 - Teiler verwenden. Außerdem ist zu beachten, dass nach vorheriger Messung mit AC-Kopplung der Koppelkondensator des Oszilloskops aufgeladen sein kann. Durch die Entladung über das Messobjekt können Bauteile beschädigt werden.

Messwerte und Oszillogramme

Bei den in den Schaltplänen und Oszillogrammen angegebenen Messwerten handelt es sich um Näherungswerte!

Austausch der Chassisplatte

Nach Austausch der Chassisplatte müssen alle Einstellungen im Service Mode nach Tabelle "Grundeinstellwerte" (Punkt 1 im Kapitel "Service- und Sonderfunktionen" auf Seite 5) eingestellt werden.

Table of Contents

	Page
General Section	2...7
Introduction.....	2
General Notes	2
Technical Data	3
Service and Special Functions.....	5
Layout of the PCBs and Circuit Diagrams	8...12
Power Supply.....	8
Socket Board.....	11
IR/LED Board	11
Keyboards	11
Power Switch Board	12
Spare Parts Lists	13...19

General Section

Introduction

This Supplement of Service Manual describes variants of alternative devices embedded with chassis

Note:

- Basic instructions for servicing are given in following Service Manuals:
- Service Manual Safety, Part Number 720108000001
 - Service Manual Chassis LM, Part Number 7201000513000

General Notes

Attention: Observe the ESD safety regulations

Before opening the cabinet disconnect the mains plug!

Wiring

Before disconnecting any leads and especially the earth connecting leads observe the way they are routed to the individual assemblies. On completion of the repairs the leads must be laid out as originally fitted at the factory to avoid later failures or disturbances.

Carrying out Measurements

When making measurements on semi-conductors with an oscilloscope, ensure that the test probe is set to 10:1 dividing factor. If the previous measurement was made on AC input, please note that the coupling capacitor in the oscilloscope will be charged. Discharge via the item being checked can damage the components.

Measured Values and Oscillograms

The measured values given in the circuit diagrams and oscillograms are approximates!

Change of the Chassis Board

After changing the chassis board all settings in the service mode must be done according to the table "Basic Settings" (point 1 in chapter "Service and Special Functions" on page 5).

Technische Daten / Technical Data

Order No.	Lenaro 26 LXW 68-7731 IDTV	Vivance 32 LXW 82-6710 REF
Product Code	G.BG 22-00 / G.BG 23-00	G.BF 49-00
Destination	EGP / EHF	BDU
Approbations	D, I, E, CZ / F, Nordic	D, CH, I, E, P, NL, Nordic, PL, HR, CZ, SI, ROW
IM-Languages	CE, I / CE	CE, I
Remote control	D, I, E, CZ / F, DK, N, S, FIN	D, GB, F, I, NL, DK, N, S, FIN, E, P, PL, CZ, HR
EAN	TP 170 C (black)	TP 170 C
visible	40 13833-61193 6 / 40 13833-61203 2	40 13833-60889 9
Color	26" / 66cm	32" / 81cm
DISPLAY	mystic black	silver
Panel	26" / 66cm	32" / 81cm
Display-Manufacturer	Active Matrix TFT-LC-Display	Active Matrix TFT-LC-Display
16:9 wide-screen format	LP10 or CH1	CMO
Response time	●	●
Brightness	ca. 5ms	ca. 6,5ms
Contrast ratio (Panel)	ca. 500cd/m2	ca. 550cd/m2
Viewing angle ca.	ca. 1000:1	ca. 1200:1
Physical display resolution max. pixel	176° vertical / horizontal	178° vertical / horizontal
PICTURE	WXGA 1366 x 768	WXGA 1366 x 768
Reference Plus	●	●
Motion Compensation	○	○
Motion Adaptive Deinterlacing	●	●
Line Flicker Reduction	●	●
Digital Color Transition Improv. (DCTI)	●	●
Digital Combfilter	● (2D)	● (2D)
Digital Luminance Transition Improv. (DLTI)	●	●
Picture Noise Reduction (DNR)	●	●
CCS (Clear Color Screen)	○	○
Preset picture modes	user, natural, rich, soft	user, natural, rich, soft
Aspect ratios (Format switching)	Auto WSS (HF + Scart), 4:3 / 16:9 / 14:9 / L.box / SubT / Panorama	Auto WSS (HF + Scart), 4:3 / 16:9 / 14:9 / L.box / SubT / Panorama
Blackline detection	●	●
PIP	1-Tuner PIP	1-Tuner PIP
Multifold Tuner scan (Mosaic Picture)	○	○
PAT: Split screen (PICTURE + TEXT)	●	●
PAP: Double Window (PICTURE + PICTURE)	via AV	via AV
P2AT: Double Window + TXT	○	○
POP: PICTURE on PICTURE	○	○
Picture freezing	●	●
Zoom with point function	Zoom by Scan button	Zoom by Scan button
Auto 16:9 selection via Scart	●	●
Sharpness control	●	●
Blue Background	●	●
CHASSIS		
TV-Chassis	LM	LM
Progressive	●	●
Tuner	PLL frequency synthesizer tuning	PLL frequency synthesizer tuning
µ-Processor	VCT-I	VCT-I
Scaler	MSTAR	MSTAR
Keyboard	6 keys: menu, source, ± for programme, ± for volume	6 keys: menu, source, ± for programme, ± for volume
ELECTRONIC		
Stand by indicator	blue LED	red LED
EPG (Electronic Programme Guide)	○	○
Easy Dialog	○	○
Megalogic	○	○
Manual & autom. labeling of prog.	●	●
Programmable off timer	●	●
Programmable on timer	○	○
Intelligent channel search (Zapping funct.)	●	●
Programme Edit	●	●
Intelligent Programme Switch	○	○
Auto switch off	stand-by	stand-by
Programme memory TV/AV (opt.)	100 / (3 AV, SVHS, HDMI, PC, YUV)	100 / (3 AV, SVHS, HDMI, PC, YUV)
Teletext/Fasttext/Toptext	● / ● / ●	● / ● / ●
Teletext options	250 pages	250 pages
Childlock	●	●
Menu languages OSD	26 languages, D, GB, F, I, E, P, NL, HR, RUS, GR, DK, S, FIN, N, TR, PL, CZ, SK, SLO, H, RO, BG, SER, HEB, ALB, MKD	26 languages, D, GB, F, I, E, P, NL, HR, RUS, GR, DK, S, FIN, N, TR, PL, CZ, SK, SLO, H, RO, BG, SER, HEB, ALB, MKD
Service mode	●	●
Hotel mode	Simple hotel mode possible via service adjustment	Simple hotel mode possible via service adjustment
TUNING		
Autom. Tuning System with country selection	full automatic sorting	full automatic sorting
Frequency Based Auto Search	●	●
Automatic Micro-search	●	●
Automatic Programming	○	○
Manual fine tuning	●	●
Direct channel selection	●	●
Direct frequency selection	○	○
PAL/SECAM/BG/DK/I/L/L	●	●
NTSC-Playback via Scart (3,58/4,43)	●	●
PAL M/N, NTSC M	○	●, NTSC M only via Scart
Cable TV / Hyperband (S1-S41)	●	●
AUDIO		
Mono/Stereo/Nicam	● / ● / ●	● / ● / ●
AV Stereo	●	●
Loudspeaker	2 wide band at the front side	2 wide band at the front side
Virtual Dolby	○	○
Magic Fidelity Sound System	○	○
Matched Sound Delay (Lip synchronous)	○	○
Subwoofer	○	○
Dynamic Bass	●	●
DSP (Digital Sound Processor)	●	●
Balance Adjustment	●	●
AVL (Audio Volume Level)	●	●
PIP listening via Headphone-jack	○	○
Equalizer	5 Band	5 Band
Space Sound Effect	●	●
Audio mode	cinema, music, sport, speech, user	cinema, music, sport, speech, user
Audio amplifier	2 x 7 / 14W (nominal/music)	2 x 7 / 14W (nominal/music)

	Lenaro 26 LXW 68-7731 IDTV	Vivance 32 LXW 82-6710 REF
DVB reception		
DVB-T/S/C	Retrofitting possible via Scart socket DVB-T: DTR 1560 Micro, DVB-S: DSR 1650 Micro, DVB-C: DCB1680 Micro	Retrofitting possible via Scart socket DVB-T: DTR 1560 Micro, DVB-S: DSR 1650 Micro, DVB-C: DCB1680 Micro
German TV-Plattform conformance logo	EN 300 744 & revised NorDig II spec (regarding DVB-T front end performance)	○
Automatic/manual channel search	ATS type sorting	○
EPG (SI based)	●	○
- 7 Day Electronic Programme Guide	●	○
- now/next	●	○
- scheduled	If broadcasted	○
- Extended Event Info	If broadcasted	○
- Short Event Info	If broadcasted	○
TV/Radio programmes	899	○
OSD languages	24 Languages	○
Parental control	○	○
Teletext VBI insertion	●, or decoding	○
VPS - VBI insertion	PDC based	○
Programme table	full automatic sorting	○
Factory station list	○	○
DVB-T Front end		
Tuner inputs (Hyperband)	1	○
Input frequency (MHz) / Loop through	67 - 862 VHF & UHF / ●	○
Input level / Impedance	-84,1dBm to -35dBm (at 16 QAM 2/3) / ●	○
Modulation	COFDM 2/8 QPSK 16/64 QAM	○
FEC	1/2, 2/3, 3/4, 5/6, 7/8	○
Herarchical modulation	○	○
Activ antenna support	○	○
Embedded Conditional Access	○	○
Common Interface	Depends on Terracom approval, implemented according to EN 50221 specification Tested modul: Viaccess 1.4 red Label (Sweden) Other possible modules - not tested yet: Conax CAM 2.01, 3.03, 4.0 Eurocam - Viaccess V1.20, Professional made by Aston - Irdeto Ver 2.05 (CI), SE 4.60 Ver 2.06 (CI) - Aston Crypt V 1.03, made by Aston - Nageravision 1.2 SCM 2.30 - Crypto Works by Philips - Alpha Crypt - NDS Video guard CI	○
Smart Card Reader	○	○
Video Decoder		
MPEG profiles	MP@ML	○
Data rate	Up to 15Mbit/sec.	○
Resolution	720 x 576	○
OSD colors	Fitting to TV-OSD	○
Picture formats	4:3, 16:9, pan scan, letter box	○
Audio Decoder		
Profiles	MPEG 2 layer I & II	○
AC 3 Decoding	○	○
AC 3 Output	SP/DIF	○
Modes	Mono, Dual Mono, Stereo, Joint Stereo	○
Processor		
CPU	32MB	○
RAM	8MB	○
Flash	1MB	○
Software		
Service information processing	Dynamic PMT	○
DVB subtitles	●	○
Over air download (OTA)	DVB enhanced profile	○
Navigator	1000 services	○
API	○	○
Last station memory	from stand-by, as TV	○
Favourite mode	●	○
Timer / Sleep timer	10x free and 1x for OTA / ●	○
Clock	○	○
Volume	○	○
Mute function	●	○
Swap function	●	○
POWER SUPPLY / CABINET		
Power voltage	230V, 50Hz; in accordance to IEC 65	230V, 50Hz; in accordance to IEC 65
Range of regulation	140V - 265V	140V - 265V
Power switch	●	●
Integrated supply	○	●
Plug-in AC adaptor	○	○
Power consumption	125W, standby 1,5W in accordance to IEC 62087-2002	145W, standby 1,5W in accordance to IEC 62087-2002
Cabinet (WxHxD,cm) / Weight	70,1 x 53,7 x 9,7cm (20,6cm with stand) / approx. 14,0kg	82,4 x 62,4 x 10,4cm (25cm with stand) / approx. 21,0kg
FRONT PANEL CONNECTIONS		
Headphones	3,5mm jack (side)	3,5mm jack (side)
Cinch-AV socket	3 x Cinch Video in, Audio in L/R (side)	○
S-Video	Hosiden (side)	○
REAR PANEL CONNECTIONS		
Euro-AV-Socket AV1	CVBS in-/output, RGB input	CVBS in-/output, RGB input
Euro-AV Socket AV2	CVBS in-/output, S-VHS	CVBS in-/output, S-VHS
Euro-AV Socket AV3	○	○
S-Video	○	Hosiden
Camera-AV	○	3x Cinch socket in
Wireless	○	○
YUV input / progressive	Video-in: 3 x Cinch, Audio-in: 2 x Cinch	Video-in: 3 x Cinch Audio-in: 2 x Cinch
PC-input	Multisync WXGA	Multisync WXGA
PC-Audio in	●	●
DVI	○	○
HDMI	●	●
HD ready including HDCP	via HDMI	via HDMI
Headphones	○	○
Digital Audio out coaxial (SPDIF)	●	●
Video out	○	○
Audio out	2 x Cinch	2 x Cinch
Antenna for terrestrial reception	1 x Coaxial-socket for TV-tuner-in, according to DIN 45325	1 x Coaxial-socket for TV-tuner-in, according to DIN 45325
DC-connector	○	○
Power supply plug	●	●
SUPPLIED ACCESSORIES		
Remote control (incl. battery)	TP 170 C black	TP 170 C silver
Power cord	● (grounded)	● (grounded)
Cables	○	○
Instruction manual	●	●
Wall fixture	Prepared for VESA standard adaptor 100 x 100 + 100	Prepared for VESA standard adaptor 100 x 100 + 100

Service- und Sonderfunktionen

Tastenfunktionen

- i Aufrufen des Dialog Centers / Menü verlassen
- P+/P- Menü-Zeile (Menüpunkt) wählen
- ◀/▶ Aufrufen der Menüs / Wert ändern
- TXT Beenden des Service Mode

Service-Mode aktivieren

- Taste "i" (INFO) drücken.
- Zahlenfolge "8500" eingeben.

Service-Mode beenden

- Taste "TXT" drücken.

1. Grundeinstellwerte

Die Grundeinstellwerte im Service Mode sind in der Tabelle enthalten.

Service and Special Functions

Functions of the buttons

- i Call up the Dialog Center / close down the Menu
- P+/P- Call up the dialogue line (point of menu)
- ◀/▶ Call up the Menus / Changing the settings
- TXT Exit the Service Mode

Calling up the Service Mode

- Press button "i" (INFO).
- Enter the code number "8500".

Exit the Service Mode

- Press button "TXT".

1. Basic Settings

The table shows all basic specific settings in the service mode.

Menü Menu P+ / P- ◀ / ▶	Menüpunkt Point of Menu P+ / P- ◀ / ▶	Einstellung Adjustment ◀ / ▶	Lenaro 26 LXW 68-7731 IDTV	Vivance 32 LXW 82-6710 REF	Hinweis Hint
OPTIONS 0	STANDBY	CUSTOMER	X	X	Netz-Ein → Standby / Power on → standby
		FACTORY			Netz-Ein → Programm 1 / Power on → Programme 1
	ON TIMER	YES			Einschalt-Timer EIN / Switch on Timer ON
		NO	X	X	Einschalt-Timer AUS / Switch on Timer OFF
	TEXT	FAST & TOP	X	X	
		FAST			
	TEXT TBL	WEST			
		EAST			
		CYRILLIC			
		GREEK			
		ARABIC			
		FARSI			
		HEBREW			
AUTO	X	X			
LANGUAGE	A	X	X		
	B				
PANEL		Eingebautes Display wählen Select used display			
PIP	AV	X	X		
	NO				
PLUG PLAY	ON	ATS Reset		Netz ein → Automatischer Sendersuchlauf	
	OFF	X	X	Power on → search automatical programmes	
OPTIONS 1	BLUEBACK	ON	X	X	
		OFF			
	CTI	MENU			Colour Transient Improvement
		ON	X	X	
	OFF				
	DNR	MENU	X	X	Digitale Rauschunterdrückung Digital Noise Reduction
		ON			
	OFF				
	PROTECTION	ON	X	X	Schutzschaltung / Protection
		OFF			
	PANORAMA	YES	X	X	
		NO			
	PAT	YES	X	X	Bild & Text Picture & Text
NO					
HOTEL	YES			Hotel-Mode	
	NO	X	X		
HOTEL VOL	0...63	20	20	Maximale Lautstärke im Hotel-Mode Hotel mode – volume maximum	
OPTIONS 2	DIMMING				
	DIMMING VALUE	0...255	255		

Menü Menü P+ / P- ◀ / ▶	Menüpunkt Point of Menu P+ / P- ◀ / ▶	Einstellung Adjustment ◀ / ▶	Lenaro 26 LXW 68-7731 IDTV	Vivance 32 LXW 82-6710 REF	Hinweis Hint
SOUND OPTIONS	BG	EUROPE	X	X	
		NEWZEALAND			
		AUSTRALIA			
		NO			
	DK	YES	X	X	
		NO			
	I	YES	X	X	
		NO			
	LL	YES	X	X	
		NO			
DOLBY	YES	X			
	NO		X		
BASS OPTION	DYN. BASS	X	X		
	SUBWOOFER			Bass-Option	
	NONE				
HEADPHONE	YES	X	X	Kopfhörer / Headphone	
	NO				
CARRI MUTE	MSP	X	X		
	MICRO				
IF SETTINGS	TUNER	PS DA5	Eingebauten Tuner wählen Select used tuner		
		THOMSON			
		TEMIC			
		PS D44			
		ALPS			
		PHILIPS			
	VHF III UHF	0...15	5		
	VHF I	0...15	5		
	AGC METHOD	S&PW&PD	X	X	
		FIXED			
SYNC&PW					
SYNC					
SECAM MTD	NEW	X	X		
	OLD				
ADJUSTMENTS	VCTI				
	-> BLE	BLE MODE	2		
		BLE GAIN	2		
		BLE TILT	8		
		BLE STATIC	7		
	-> FAC LTI	LTI CORING	0		
		LTI GAIN	0		
	-> SLL SUBCARR	SLLTHDV	6		
		SUBCARRIER	19		
	-> LUMA DELAY	DLY PAL	9		
		DLY SECAM	10		
		DLY NTSC	9		
	-> SCART RGB	BRI	-9		
		CONT	50		
		CB SAT	50		
		CR SAT	50		
		TINT	0		
		R GAIN	34		
		G GAIN	33		
		B GAIN	35		
	MSTAR	6C R	5		
		6C G	5		
		6C B	8		
		6C C	0		
		6C M	3		
		6C Y	2		
		6C F	4		
		SPECTRUM	1		
	ADJUST	R GAIN	126		
		G GAIN	128		
B GAIN		96			
R OFFSET		128			
G OFFSET		128			
B OFFSET		126			
SUB CON		69			
SUB BRI		39			

Menü Menu P+ / P- ◀ / ▶	Menüpunkt Point of Menu P+ / P- ◀ / ▶	Einstellung Adjustment ◀ / ▶	Lenaro 26 LXW 68-7731 IDTV	Vivance 32 LXW 82-6710 REF	Hinweis Hint	
ADJUSTMENTS	AUTO COLOR					
	RESET	65 ▶			Zahlenfolge 65 eingeben und Taste ▶ drücken. Enter code number 65 and press button ▶.	
	EDID/HDCP	EDID				
		HDCP				
		OFF	X	X		
	ISP	ON				
OFF			X	X		

2. Austausch der Hauptplatte oder des IC323

Nach dem Austausch der Hauptplatte oder des IC323 sind die Grundeinstellwerte im Service Mode entsprechend der Tabelle einzustellen.

3. Software-Versionsnummer

Die Software-Versionsnummer wird oben im Service-Menü angezeigt, z.B.:

SLM. 512G 02 T07
11/08/06 11: 08: 59
G: SLM. 064 04 T00

4. Programmsuchlauf

- Taste " i " (INFO) drücken.
- "Installation" mit den Tasten P+ / P- anwählen und mit der Taste "OK" bestätigen.
- "Programmsuchlauf" mit den Tasten P+ / P- anwählen und mit der Taste "OK" bestätigen.
- Gewünschtes Land mit den Tasten P+ / P-, ◀ / ▶ auswählen und mit der Taste "OK" bestätigen.
Das automatische Sendersuchsystem stoppt bei jedem empfangswürdigen Sender (AFC und Koizidenz) und speichert automatisch die entsprechenden Senderdaten mit dem jeweiligen Standard. Danach wird der Suchlauf fortgesetzt.
Zum Abbrechen des Suchlaufes die Taste " i " drücken.

5. EEPROM Edit

Diese Funktion ist ausschließlich für die Entwicklung und darf nur nach besonderer Aufforderung verwendet werden. Bei falschen Eingaben sind die Gerätefunktionen nicht mehr gewährleistet.

2. Change of the Main Board or IC323

After changing the Main Board or IC323 all basic settings in the service mode must be done according to the table.

3. Software Version Number

The software version number is shown on the upper part of the service menu, e.g.:

SLM. 512G 02 T07
11/08/06 11: 08: 59
G: SLM. 064 04 T00

4. Programme Search

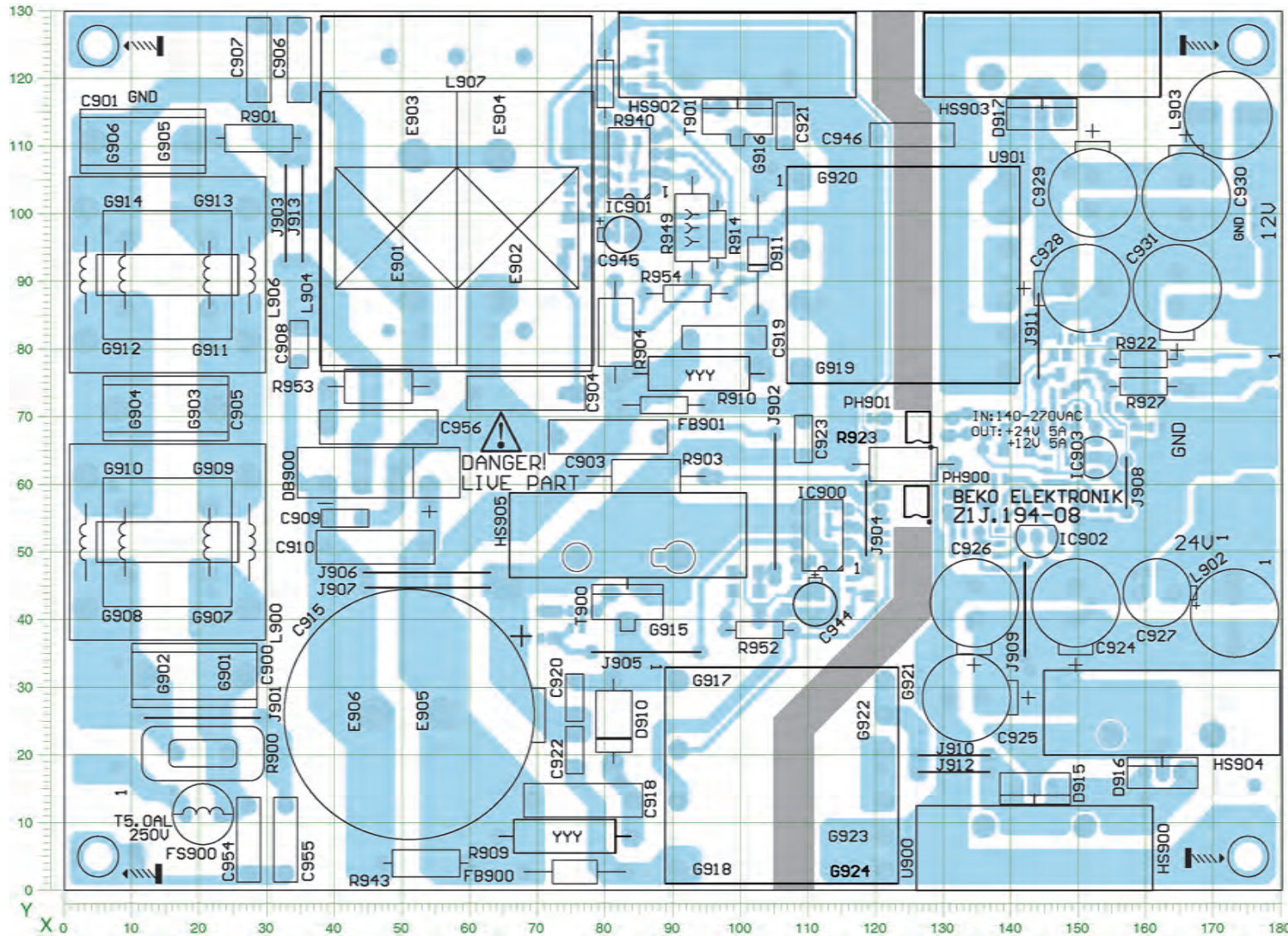
- Press button " i " (MAIN MENU).
- Select "Setup" with the buttons P+ / P- and confirm with button "OK".
- Select "Autoprogram" with the buttons P+ / P- and confirm with button "OK".
- Select the required Country with the buttons P+ / P-, ◀ / ▶ and confirm with button "OK".
The autoprogrammes system stops at every station of acceptable reception quality (AFC and coincidence) and stores the station data and the respective standard automatically. The system then continues searching.
Pressing the " i " button stops the programme search.

5. EEPROM Edit

This function is only for development and is only allowed to use by special demand. Any incorrect settings may cause a defectiv set.

Netzteil-Platte / Power Supply Board Z1J194

Ansicht von der Bestückungsseite / View of Component Side



T: Koordinaten für die Bauteile der Bestückungsseite
Coordinates of the Components on the component side
B: Koordinaten für die Bauteile der Lötseite
Coordinates of the Components on the solder side

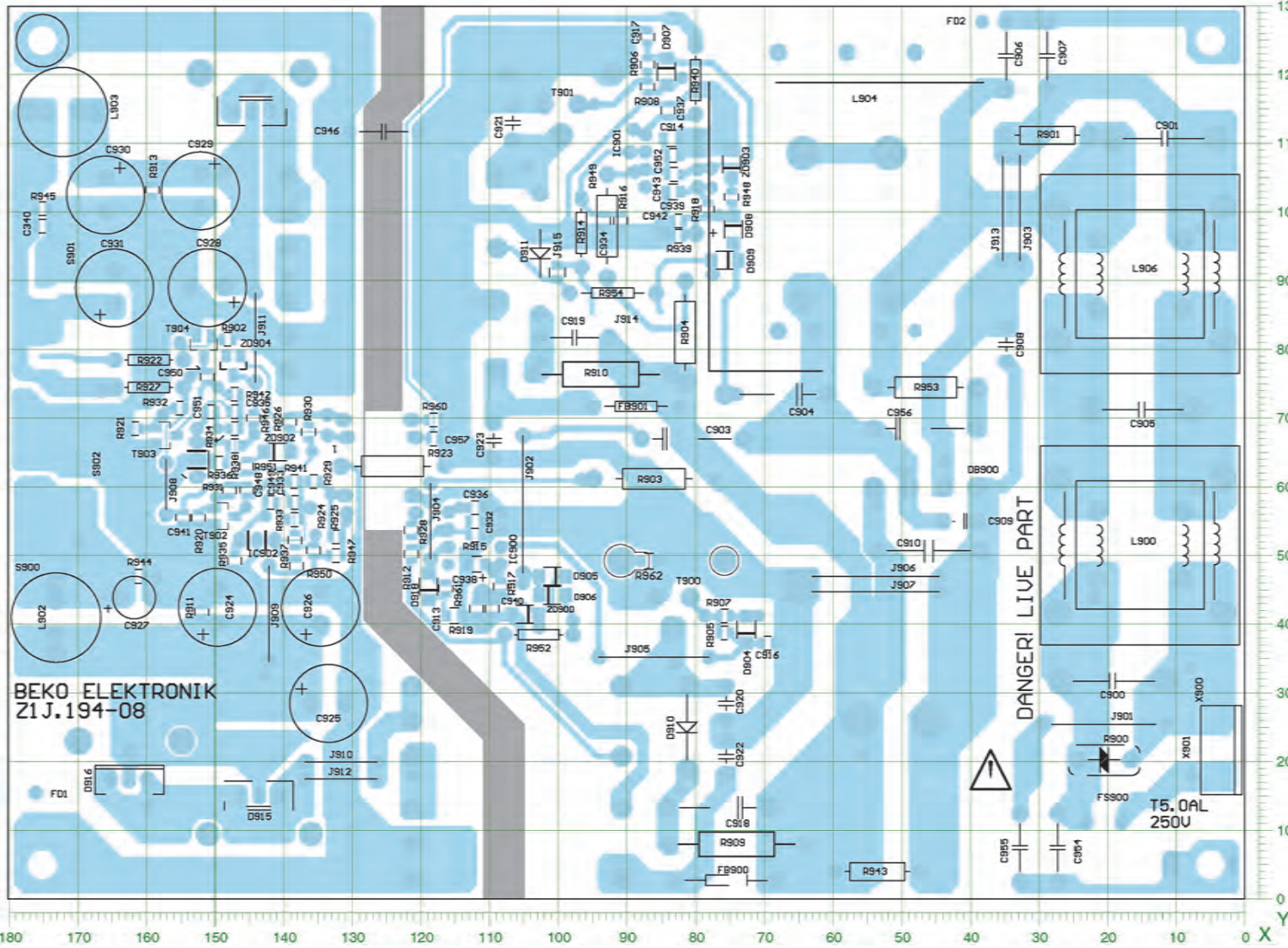
POS.	X	Y	POS.	X	Y	POS.	X	Y
C340	B 175	98	D905	B 100	46	R923	T 124	63
C900	T 19	32	D906	B 97	46	R924	B 136	51
C901	T 12	111	D907	B 84	121	R925	B 132	53
C903	T 80	67	D908	B 75	98	R926	B 139	70
C904	T 68	74	D909	B 76	93	R927	T 160	75
C905	T 15	71	D910	T 81	31	R928	B 121	54
C906	T 35	123	D911	T 103	94	R929	B 136	61
C907	T 29	123	D915	T 146	15	R930	B 136	68
C908	T 35	81	D916	T 160	17	R931	B 148	60
C909	T 42	55	D917	T 142	115	R932	B 155	72
C910	T 46	51	D918	B 119	46	R933	B 138	55
C913	B 115	41	DB900	T 54	60	R934	B 147	69
C914	B 84	111	FB900	T 76	3	R935	B 147	49
C915	T 51	26	FB901	T 89	72	R936	B 149	64
C916	B 100	57	FS900	T 23	11	R937	B 138	52
C917	B 87	126	HS900	T 161	13	R938	B 147	66
C918	T 77	13	HS902	T 82	117	R939	B 83	97
C919	T 98	82	HS903	T 127	117	R940	T 80	119
C920	T 76	29	HS904	T 145	20	R941	B 138	61
C921	T 107	113	HS905	T 66	46	R942	B 147	74
C922	T 76	21	IC900	T 112	53	R943	T 54	4
C923	T 109	67	IC901	T 84	108	R944	B 161	47
C924	T 150	40	IC902	T 144	52	R945	B 175	101
C925	T 136	29	IC903	T 153	64	R946	B 144	70
C926	T 135	40	J914	T 85	86	R947	B 132	50
C927	T 162	44	J915	B 100	91	R948	B 75	102
C928	T 149	89	L900	T 15	52	R949	T 93	98
C929	T 152	106	L902	T 173	36	R950	B 138	49
C930	T 166	105	L903	T 167	115	R951	B 145	63
C931	T 165	87	L904	T 48	83	R952	T 103	39
C932	B 112	55	L906	T 15	91	R953	T 47	75
C933	B 138	58	L907	T 58	98	R954	T 92	88
C934	B 93	99	PH900	T 126	58	R960	B 118	70
C935	B 147	71	PH901	T 126	69	R961	B 116	45
C936	B 112	57	R900	T 21	20	R962	B 87	49
C937	B 84	115	R901	T 29	112	R963	T 103	49
C938	B 112	49	R901A	T 29	108	R964	T 83	36
C939	B 83	103	R902	B 148	82	R965	B 169	29
C940	B 110	42	R903	T 86	61	R966	B 172	29
C941	B 155	56	R904	T 82	83	R967	B 166	29
C942	B 83	99	R905	B 98	55	R968	B 158	114
C943	B 83	106	R906	B 87	122	R969	B 155	114
C944	T 111	42	R907	B 94	55	R970	B 153	114
C945	T 83	97	R908	B 87	118	S900	T 177	51
C946	T 125	112	R909	T 84	8	S901	T 175	79
C946A	T 41	5	R910	T 104	76	S902	T 170	55
C948	B 145	60	R911	B 152	42	T900	T 83	40
C949	B 142	58	R912	B 121	50	T901	T 100	111
C950	B 151	76	R913	B 159	103	T902	B 149	56
C951	B 151	71	R914	T 97	97	T903	B 157	68
C952	B 83	108	R915	B 112	53	T904	B 152	81
C954	T 27	8	R916	B 91	99	U900	T 106	17
C955	T 33	8	R917	B 108	46	U901	T 124	91
C956	T 47	69	R918	B 78	101	X900	T 4	18
C957	B 118	67	R919	B 112	42	ZD900	B 105	42
C958	B 105	57	R920	B 152	56	ZD902	B 141	65
C959	B 162	29	R921	B 162	69	ZD903	B 75	107
C960	B 161	114	R922	T 160	79	ZD904	B 147	78
D904	B 97	52						

Netzteil-Platte / Power Supply Board Z1J194

Ansicht von der Lötseite / View of Solder Side

T: Koordinaten für die Bauteile der Bestückungsseite
Coordinates of the Components on the component side
B: Koordinaten für die Bauteile der Lötseite
Coordinates of the Components on the solder side

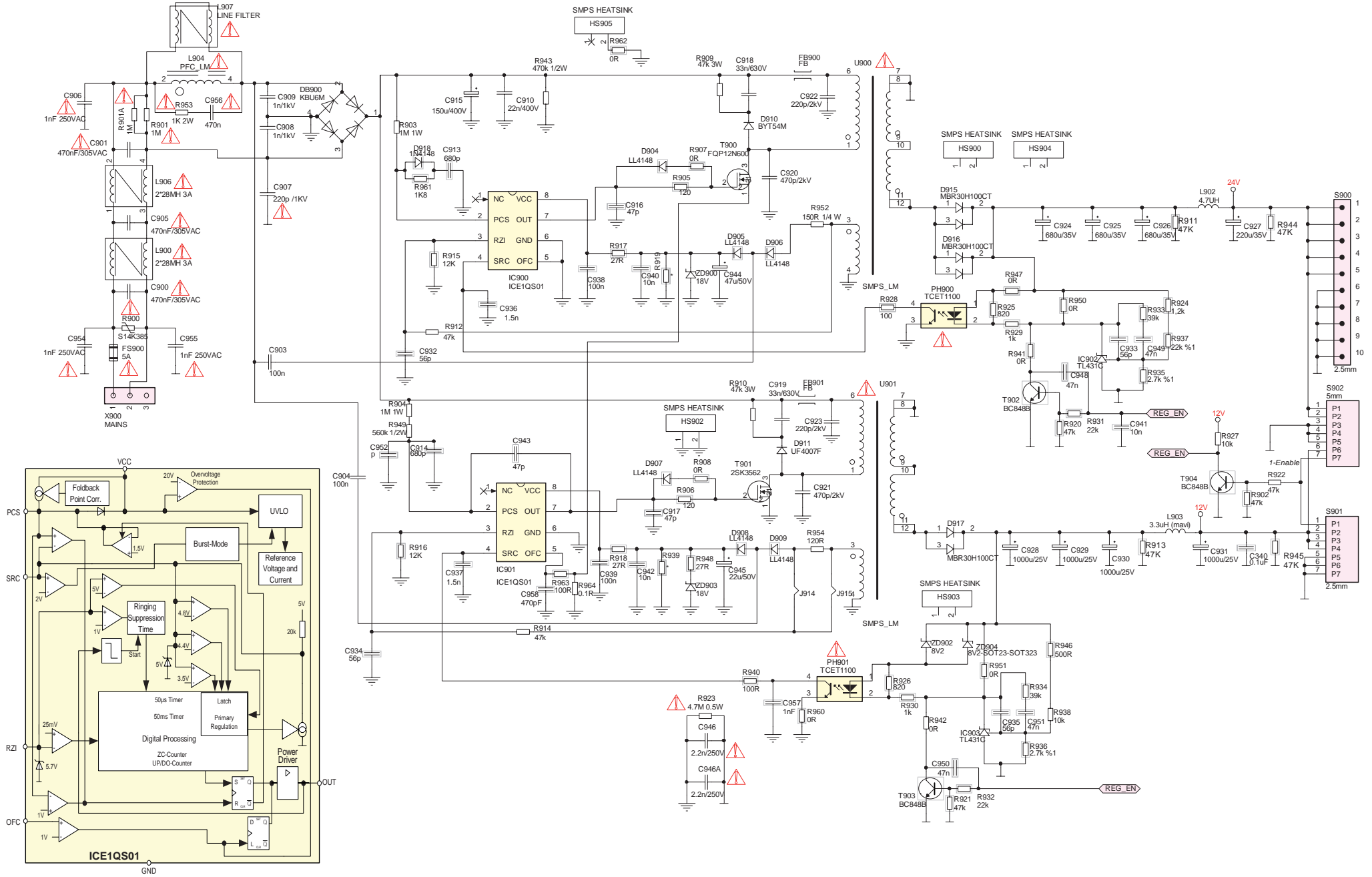
6



POS.	X	Y	POS.	X	Y	POS.	X	Y
C340	B 175	98	D905	B 100	46	R923	T 124	63
C900	T 19	32	D906	B 97	46	R924	B 136	51
C901	T 12	111	D907	B 84	121	R925	B 132	53
C903	T 80	67	D908	B 75	98	R926	B 139	70
C904	T 68	74	D909	B 76	93	R927	T 160	75
C905	T 15	71	D910	T 81	31	R928	B 121	54
C906	T 35	123	D911	T 103	94	R929	B 136	61
C907	T 29	123	D915	T 146	15	R930	B 136	68
C908	T 35	81	D916	T 160	17	R931	B 148	60
C909	T 42	55	D917	T 142	115	R932	B 155	72
C910	T 46	51	D918	B 119	46	R933	B 138	55
C913	B 115	41	DB900	T 54	60	R934	B 147	69
C914	B 84	111	FB900	T 76	3	R935	B 147	49
C915	T 51	26	FB901	T 89	72	R936	B 149	64
C916	B 100	57	FS900	T 23	11	R937	B 138	52
C917	B 87	126	HS900	T 161	13	R938	B 147	66
C918	T 77	13	HS902	T 82	117	R939	B 83	97
C919	T 98	82	HS902	T 82	117	R940	T 80	119
C920	T 76	29	HS903	T 127	117	R941	B 138	61
C921	T 107	113	HS904	T 145	20	R942	B 147	74
C922	T 76	21	HS905	T 66	46	R943	T 54	4
C923	T 109	67	IC900	T 112	53	R944	B 161	47
C924	T 150	40	IC901	T 84	108	R945	B 175	101
C925	T 136	29	IC902	T 144	52	R946	B 144	70
C926	T 135	40	IC903	T 153	64	R947	B 132	50
C927	T 162	44	J914	T 85	86	R948	B 75	102
C928	T 149	89	J915	B 100	91	R949	T 93	98
C929	T 152	106	L900	T 15	52	R950	B 138	49
C930	T 166	105	L902	T 173	36	R951	B 145	63
C931	T 165	87	L903	T 167	115	R952	T 103	39
C932	B 112	55	L904	T 48	83	R953	T 47	75
C933	B 138	58	L906	T 15	91	R954	T 92	88
C934	B 93	99	L907	T 58	98	R960	B 118	70
C935	B 147	71	PH900	T 126	58	R961	B 116	45
C936	B 112	57	PH901	T 126	69	R962	B 87	49
C937	B 84	115	R900	T 21	20	R963	T 103	49
C938	B 112	49	R901	T 29	112	R964	T 83	36
C939	B 83	103	R901A	T 29	108	R965	B 169	29
C940	B 110	42	R902	B 148	82	R966	B 172	29
C941	B 155	56	R903	T 86	61	R967	B 166	29
C942	B 83	99	R904	T 82	83	R968	B 158	114
C943	B 83	106	R905	B 98	55	R969	B 155	114
C944	T 111	42	R906	B 87	122	R970	B 153	114
C945	T 83	97	R907	B 94	55	S900	T 177	51
C946	T 125	112	R908	B 87	118	S901	T 175	79
C946A	T 41	5	R909	T 84	8	S902	T 170	55
C948	B 145	60	R910	T 104	76	T900	T 83	40
C949	B 142	58	R911	B 152	42	T901	T 100	111
C950	B 151	76	R912	B 121	50	T902	B 149	56
C951	B 151	71	R913	B 159	103	T903	B 157	68
C952	B 83	108	R914	T 97	97	T904	B 152	81
C954	T 27	8	R915	B 112	53	U900	T 106	17
C955	T 33	8	R916	B 91	99	U901	T 124	91
C956	T 47	69	R917	B 108	46	X900	T 4	18
C957	B 118	67	R918	B 78	101	ZD900	B 105	42
C958	B 105	57	R919	B 112	42	ZD902	B 141	65
C959	B 162	29	R920	B 152	56	ZD903	B 75	107
C960	B 161	114	R921	B 162	69	ZD904	B 147	78
D904	B 97	52	R922	T 160	79			

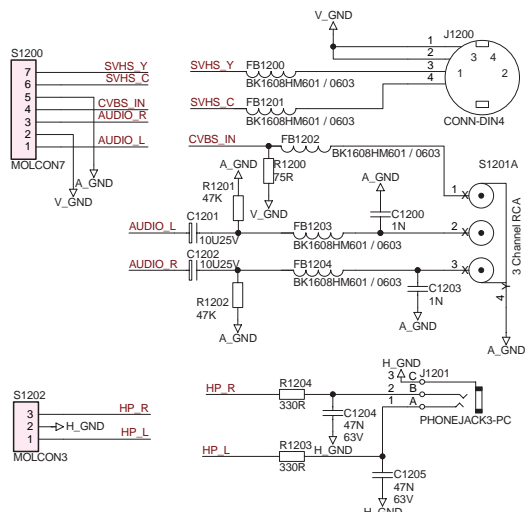
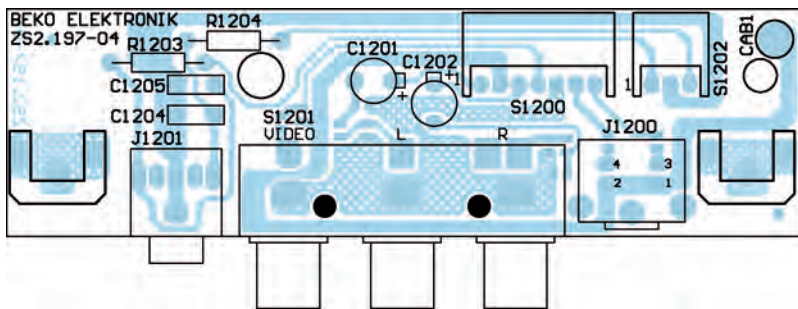
Netzteil-Platte / Power Supply Board Z1J194

10

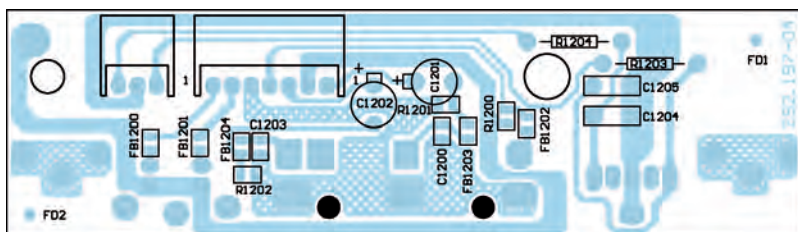


Buchsenplatte / Socket Board ZS2197

Ansicht von der Bestückungsseite / View of Component Side

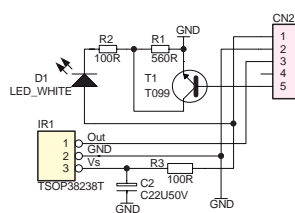
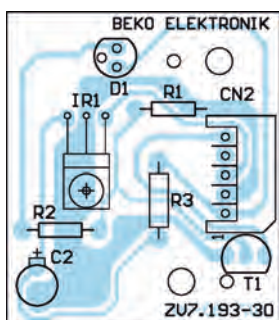


Ansicht von der Lötseite / View of Solder Side



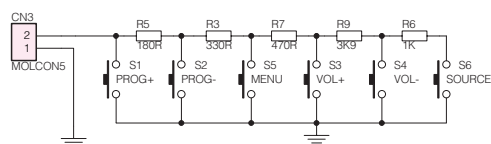
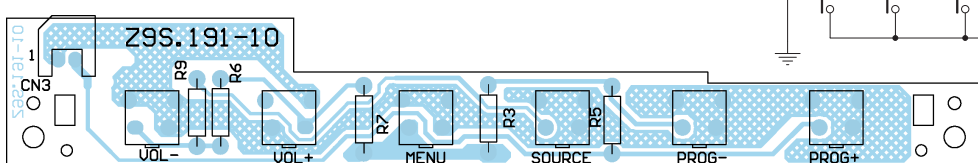
IR/LED-Platte / Board ZV7193

Ansicht von der Bestückungsseite / View of Component Side



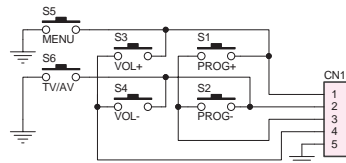
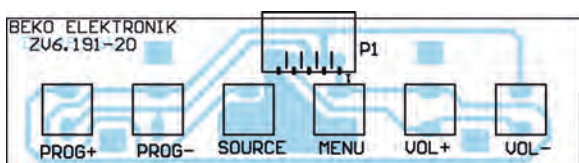
Keyboard Z9S191

Ansicht von der Bestückungsseite / View of Component Side



Keyboard ZV6191

Ansicht von der Bestückungsseite / View of Component Side



Ersatzteilliste
Spare Parts List

NUR FÜR INTERNEN GEBRAUCH
FOR INTERNAL USE ONLY

TV

5 / 2007

LENARO 26 LXW 68-7731 IDTV

BESTELL-NR. / ORDER NO.: GBG2200 (EGP)

POS. NR. POS. NO.	ABB. FIG.	MATERIAL-NR. PART NUMBER	ANZ. QTY.	BEZEICHNUNG (D)	DESCRIPTION (GB)
		GBG2200		LENARO 26 LXW 68-7731 IDTV PRODUKT CODE EGP KEIN E-TEIL	LENARO 26 LXW 68-7731 IDTV PRODUCT CODE EGP NO SPARE PART
				Hinweis: Sollte in dieser Ersatzteilliste Ihr "Product Code" oder Ihre Display-Variante nicht aufgeführt sein, finden Sie eine aktualisierte Version auf dem GRUNDIG Service-Portal " http://service.grundig.de ".	Note: If your "Product Code" or display variant is not mentioned in the spare parts list, please look for a current version at the GRUNDIG service portal " http://service.grundig.de ".
0001.000		759551352900		GEH.-VORDERTEIL SILBER	FRONT CABINET SILBER
0002.000		759551352400		RUECKWAND SILBER	BACK COVER SILBER
0003.000		759551352500		BUCHSENABDECKUNG SILBER	JACK COVER SILBER
0007.000		759551224700		LAUTSPRECHER 8 OHM 7 W	LOUDSPEAKER 8 OHM 7 W
0008.000		759551296700		HOCHTONLAUTSP. 8 OHM 12/15W 52X74	TWEETER 8 OHM 12/15W 52X74
0010.000	△	759551353000		LCD DISPLAY CHIMEI V26B1-L01 R	LCD DISPLAY CHIMEI V26B1-L01 R
0014.000	△	759551352000		NETZKABEL 150 CM	POWER CABLE 150 CM
0015.000	△	759551222300		NETZSCHALTER SDKLA11000 5A 2P	POWER SWITCH SDKLA11000 5A 2P
0016.000		759551352600		KNOPF NETZ SILBER	KNOB POWER SILVER
0017.000		759550925300		FEDER KNOPF NETZ	SPRING KNOB POWER
0018.000		759551352700		KNOPF PROG. SILBER	KNOB PROG. SILVER
0019.000		759551323900		FUSS SILBER	FOOT SILVER
0021.000		759551353100		KABEL DISPLAY-LVDS (CHI)	CABLE DISPLAY-LVDS (CHI)
0025.000	△	275990198800	X	LP-CHASSISMODUL LM	CHASSISBOARD LM
0027.000		720117139100		FERNBEDIENUNG TP 170C SCHWARZ	REMOTE CONTROL TP 170C BLACK
0030.000		275990215000		LP-BEDIENMODUL ZV6191-10	CONTROLBOARD ZV6191-10
0040.000		275990216600		LP-KOPFHOERERMODUL (8R9198)	HEADPHONE BOARD (8R9198)
0050.000		275990216800		LP-SIDE/AV MODUL	SIDE/AV BOARD
0070.000	△	275990302300	X	LP-NETZTEILMODUL 24/6 12/4 2PI	POWER SUPPLY 24/6 12/4 2PIN(LI)
0080.000	△	275990037600		LP-NETZSCHALTERMODUL 26L6BL67	POWER SWITCH BOARD 26L6BL67
0090.000		759551157700		POLSTER LINKS	CUSHION LEFT
0091.000		759551157800		POLSTER RECHTS	CUSHION RIGHT
0092.000		759551352800		KARTON	CARTON
				DIE BEDIENUNGSANLEITUNG KOENNEN SIE IM INTERNET UNTER FOLGENDER ADRESSE ABRUFEN: WWW.GRUNDIG.DE MENU: DOWNLOADS	THE INSTRUCTION MANUAL CAN BE DOWNLOADED FROM THE INTERNET UNDER THE FOLLOWING ADDRESS: WWW.GRUNDIG.DE MENU: DOWNLOADS
		720100513100 720108000001		SERVICE MANUAL D/GB1.ERGAENZUNG SICHERHEITSMANUAL D/GB/E/F/I	SERVICE MANUAL D/GB 1ST SUPPLEMENT SAFETY SERVICE MANUAL D/GB/E/F/I
				X = SIEHE GESONDERTE E-LISTE	X = SEE SEPARATE PARTS LIST

Es gelten die Vorschriften und Sicherheitshinweise gemäß dem Service Manual "Sicherheit", Mat.-Nummer 720108000001, sowie zusätzlich die eventuell abweichenden, landesspezifischen Vorschriften!



The regulations and safety instructions shall be valid as provided by the "Safety" Service Manual, part number 720108000001, as well as the respective national deviations.

ÄNDERUNGEN VORBEHALTEN / SUBJECT TO ALTERATION

Ersatzteilliste
Spare Parts List

NUR FÜR INTERNEN GEBRAUCH
FOR INTERNAL USE ONLY

TV

5 / 2007

LENARO 26 LXW 68-7731 IDTV

BESTELL-NR. / ORDER NO.: GBG2300 (EHF)

POS. NR. POS. NO.	ABB. FIG.	MATERIAL-NR. PART NUMBER	ANZ. QTY.	BEZEICHNUNG (D)	DESCRIPTION (GB)
		GBG2300		LENARO 26 LXW 68-7731 IDTV PRODUKT CODE EHF KEIN E-TEIL	LENARO 26 LXW 68-7731 IDTV PRODUCT CODE EHF NO SPARE PART
				Hinweis: Sollte in dieser Ersatzteilliste Ihr "Product Code" oder Ihre Display-Variante nicht aufgeführt sein, finden Sie eine aktualisierte Version auf dem GRUNDIG Service-Portal " http://service.grundig.de ".	Note: If your "Product Code" or display variant is not mentioned in the spare parts list, please look for a current version at the GRUNDIG service portal " http://service.grundig.de ".
0001.000		759551353300		GEH.-VORDERTEIL SILBER	FRONT CABINET SILBER
0002.000		759551352400		RUECKWAND SILBER	BACK COVER SILBER
0003.000		759551352500		BUCHSENABDECKUNG SILBER	JACK COVER SILVER
0007.000		759551224700		LAUTSPRECHER 8 OHM 7 W	LOUDSPEAKER 8 OHM 7 W
0008.000		759551296700		HOCHTONLAUTSPR. 8 OHM 12/15W 52X74	TWEETER 8 OHM 12/15W 52X74
0010.000	△	759551353000		LCD DISPLAY CHIMEI V26B1-L01 R	LCD DISPLAY CHIMEI V26B1-L01 R
0014.000	△	759551350200		NETZKABEL 150 CM	POWER CABLE 150 CM
0015.000	△	759551222300		NETZSCHALTER SDKLA11000 5A 2P	POWER SWITCH SDKLA11000 5A 2P
0016.000		759551352600		KNOPF NETZ SILBER	KNOB POWER SILVER
0017.000		759550925300		FEDER KNOPF NETZ	SPRING KNOB POWER
0018.000		759551352700		KNOPF PROG. SILBER	KNOB PROG. SILVER
0019.000		759551323900		FUSS SILBER	FOOT SILVER
0021.000		759551353100		KABEL DISPLAY-LVDS (CHI)	CABLE DISPLAY-LVDS (CHI)
0025.000	△	275990198900	X	LP-CHASSISMODUL LM	CHASSISBOARD LM
0027.000		720117139100		FERNBEDIENUNG TP 170C SCHWARZ	REMOTE CONTROL TP 170C BLACK
0030.000		275990215000		LP-BEDIENMODUL ZV6191-10	CONTROLBOARD ZV6191-10
0040.000		275990216600		LP-KOPFHOERERMODUL (8R9198)	HEADPHONE BOARD (8R9198)
0050.000		275990216800		LP-SIDE/AV MODUL	SIDE/AV BOARD
0070.000	△	275990302300	X	LP-NETZTEILMODUL 24/6 12/4 2PIN	POWER SUPPLY 24/6 12/4 2PIN
0080.000	△	275990037600		LP-NETZSCHALTERMODUL 26L6BL67	POWER SWITCH BOARD 26L6BL67
0090.000		759551157700		POLSTER LINKS	CUSHION LEFT
0091.000		759551157800		POLSTER RECHTS	CUSHION RIGHT
0092.000		759551353400		KARTON	CARTON
				DIE BEDIENUNGSANLEITUNG KOENNEN SIE IM INTERNET UNTER FOLGENDER ADRESSE ABRUFEN: WWW.GRUNDIG.DE MENU: DOWNLOADS	THE INSTRUCTION MANUAL CAN BE DOWNLOADED FROM THE INTERNET UNDER THE FOLLOWING ADDRESS: WWW.GRUNDIG.DE MENU: DOWNLOADS
		720100513100 720108000001		SERVICE MANUAL D/GB1.ERGAENZUNG SICHERHEITSMANUAL D/GB/E/F/I	SERVICE MANUAL D/GB 1ST SUPPLEMENT SAFETY SERVICE MANUAL D/GB/E/F/I
				X = SIEHE GESONDERTE E-LISTE	X = SEE SEPARATE PARTS LIST

Es gelten die Vorschriften und Sicherheitshinweise gemäß dem Service Manual "Sicherheit", Mat.-Nummer 720108000001, sowie zusätzlich die eventuell abweichenden, landesspezifischen Vorschriften!



The regulations and safety instructions shall be valid as provided by the "Safety" Service Manual, part number 720108000001, as well as the respective national deviations.

ÄNDERUNGEN VORBEHALTEN / SUBJECT TO ALTERATION

5 / 2007

VIVANCE 32 LXW 82-6710 REF

ERSETZT AUSGABE 1/2007
SUBSTITUTE EDITION 1/2007

BESTELL-NR. / ORDER NO.: GBF4900 (BDU)

POS. NR. POS. NO.	ABB. FIG.	MATERIAL-NR. PART NUMBER	ANZ. QTY.	BEZEICHNUNG (D)	DESCRIPTION (GB)
		GBF4900		VIVANCE 32 LXW 82-6710 REF PRODUKTCODE BDU KEIN E-TEIL	VIVANCE 32 LXW 82-6710 REF PRODUCT CODE BDU NO SPARE PART
				Hinweis: Sollte in dieser Ersatzteilliste Ihr "Product Code" oder Ihre Display-Variante nicht aufgeführt sein, finden Sie eine aktualisierte Version auf dem GRUNDIG Service-Portal "http://service.grundig.de" .	Note: If your "Product Code" or display variant is not mentioned in the spare parts list, please look for a current version at the GRUNDIG service portal "http://service.grundig.de" .
0001.000		759551321600		GEH.-VORDERTEIL SILBER*/**/*	FRONT CABINET SILVER*/**/*
0001.000		759551322200		GEH.-VORDERTEIL SILBER**	FRONT CABINET SILVER**
0002.000		759551321100		RUECKWAND TITAN	BACK COVER TITANE
0003.000		759551321000		BUCHSENABDECKUNG	JACK COVER
0007.000		759551103400		LAUTSPRECHER 10 W/15W 8 OHM	LOUDSPEAKER 10 W/15 W 8 OHM
0008.000		759550975700		HOCHTONLAUTSPRECHER 8 OHM / 10W	TWEETER 8 OHM / 10 W
0010.000	△	759551307200		LCD DISPLAY LG-PH OPT. LC320W0*	LCD DISPLAY LG-PH OPT. LC320W0*
0010.000	△	759551330200		LCD DISPLAY CHIMEI V320B1-L04 **	LCD DISPLAY CHIMEI V320B1-L04 **
0010.000	△	759551307300		LCD DISPLAY QD QD32HL03-REV1***	LCD DISPLAY QD QD32HL03-REV1***
0010.000	△	759551326600		LCD DISPLAY SS LTA320WT-L16****	LCD DISPLAY SS LTA320WT-L16****
0015.000	△	759551020100		NETZSCHALTER SDAKLA10200	POWER SWITCH SDAKLA10200
0016.000		759551321200		KNOPF NETZ TITAN	KNOB POWER TITANE
0018.000		759551321300		KNOPF PROG/VOL	KNOB PROG/VOL
0019.000		759551321800		FUSS SILBER	FOOT SILVER
0021.000		759551244900		KABEL 30 POL.DISPLAY-CHASSIS*	CABLE 30 PLS.DISPLAY-CHASSIS*
0021.000		759551299000		KABEL DISPLAY-LVDS (CHI)**	CABLE DISPLAY-LVDS (CHI)**
0021.000		759551329700		KABEL DISPLAY-INTERFACE***/*	CABLE DISPLAY-INTERFACE***/*
0025.000	△	275990187100	X	LP-CHASSISMODUL LM*	CHASSISBOARD LM*
0025.000	△	275990187200	X	LP-CHASSISMODUL LM**	CHASSISBOARD LM**
0025.000	△	275990192800	X	LP-CHASSISMODUL LM***	CHASSISBOARD LM***
0025.000	△	275990192900	X	LP-CHASSISMODUL LM****	CHASSISBOARD LM****
0027.000		720117138500		FERNBEDIENUNG TP 170C SILBER	REMOTE CONTROL TP 170C SILVER
0030.000		275990219700		LP-BEDIENMODUL 32LMC38(Z9S191-10)	CONTROL BOARD 32LMC38 (Z9S191-10)
0040.000		275990219800		LP-IR/LED MODUL 32LMC31(Z9S192-10)	IR/LED BOARD 32LMC31 (Z9S192-10)
0070.000	△	275990039600		LP-NETZTEILMOD SPI24/6 12/5 /*	POWER SUPPLY SPI24/6 12/5 3P/*
0070.000	△	275990301500	X	LP-NETZTEILMOD LM***/*	POWER SUPPLY LM***/*
0080.000		275990169500		LP-KOPFHOERERMODUL (ZS2197)	HEADPHONEBOARD (ZS2197)
0090.000		759551321400		POLSTER LINKS	CUSHION LEFT
0091.000		759551321500		POLSTER RECHTS	CUSHION RIGHT
0092.000		759551321700		KARTON	CARTON
				DIE BEDIENUNGSANLEITUNG KOENNEN SIE IM INTERNET UNTER FOLGENDER ADRESSE ABRUFEN: WWW.GRUNDIG.DE MENU: DOWNLOADS	THE INSTRUCTION MANUAL CAN BE DOWNLOADED FROM THE INTERNET UNDER THE FOLLOWING ADDRESS: WWW.GRUNDIG.DE MENU: DOWNLOADS
		720100513100 720108000001		SERVICE MANUAL D/GB 1. ERGAENZUNG SICHERHEITSMANUAL D/GB/E/F/I	SERVICE MANUAL D/GB1ST SUPPLEMENT SAFETY SERVICE MANUAL D/GB/E/F/I
				X = SIEHE GESONDERTE E-LISTE	X = SEE SEPARATE PARTS LIST

Es gelten die Vorschriften und Sicherheitshinweise gemäß dem Service Manual "Sicherheit", Mat.-Nummer 720108000001, sowie zusätzlich die eventuell abweichenden, landesspezifischen Vorschriften!



The regulations and safety instructions shall be valid as provided by the "Safety" Service Manual, part number 720108000001, as well as the respective national deviations.

ÄNDERUNGEN VORBEHALTEN / SUBJECT TO ALTERATION

Ersatzteilliste
Spare Parts List

NUR FÜR INTERNEN GEBRAUCH
FOR INTERNAL USE ONLY



11 / 2006

LP-CHASSISMODUL LM
CHASSISBOARD LM

MATERIAL-NR. / PART NO.: 275990187100

POS. NR. POS. NO.	ABB. FIG.	MATERIAL-NR. PART NUMBER	ANZ. QTY.	BEZEICHNUNG DESCRIPTION (GB)
----------------------	--------------	-----------------------------	--------------	------------------------------------

275990187100 LP-CHASSISMODUL LM CHASSISBOARD LM

POS. NR. POS. NO.	MATERIAL-NR. PART NUMBER	BEZEICHNUNG DESCRIPTION	POS. NR. POS. NO.	MATERIAL-NR. PART NUMBER	BEZEICHNUNG DESCRIPTION
D 300	759551098600	DIODE STPS340U	S 311	759551057900	KOPFHOERERBUCHSE YKB21-5103
D 305	759551241900	DIODE CHIP IMBD4148	S 313	759550922900	EURO AV BUCHSE
D 314	759530510400	DIODE BAV 99	S 314	759550922900	EURO AV BUCHSE
D 315	759530510400	DIODE BAV 99			
D 316	759530510400	DIODE BAV 99	T 102	830100484800	SMD TRANS BC848B/ BC847B P
IC 300	759551267900	IC-CHIP NCP1117ST33T3G SOT-	T 106	830100685700	SMD-TRANS.BC 857 C
IC 301	759551268000	IC-CHIP CM2021-00TR TSSOP	T 300	759550968600	TRANS FDS9933A
IC 302	759551242700	IC MP1593DN-LF-Z DC-DC	T 303	759550973400	TRANS 2N002
IC 306	759551114600	IC NCP1117DT18RK	T 305	830100484800	SMD TRANS BC848B/ BC847B P
IC 307	759551060700	IC NCP1117DTARK (DPAK)	T 306	759550973400	TRANS 2N002
IC 308	759551060700	IC NCP1117DTARK (DPAK)	T 307	830100484800	SMD TRANS BC848B/ BC847B P
IC 309	759551268100	IC-CHIP TVP5150AM1PBSRG4 PQ	T 308	830100484800	SMD TRANS BC848B/ BC847B P
IC 310	759551268200	IC-CHIP MAX810STRG SOT23 RE	T 310	830100484800	SMD TRANS BC848B/ BC847B P
IC 311	759551268300	IC-CHIP MTV512GMV64 PLCC 80	T 311	830100484800	SMD TRANS BC848B/ BC847B P
IC 312	830544043100	IC TL431CLPRP MOT AV330 ER-	T 312	830100484800	SMD TRANS BC848B/ BC847B P
IC 314	759550542200	SMD IC M24C08N SC2.7	T 314	830100484800	SMD TRANS BC848B/ BC847B P
IC 315	759550542200	SMD IC M24C08N SC2.7	T 315	830100484800	SMD TRANS BC848B/ BC847B P
IC 317	759551268400	IC-CHIP CS4334-KSZR SO8	T 317	830100484800	SMD TRANS BC848B/ BC847B P
IC 319	759551268500	IC-CHIP 74HC4052D SO16	T 318	830100484800	SMD TRANS BC848B/ BC847B P
IC 320	759551268500	IC-CHIP 74HC4052D SO16	T 319	759550973400	TRANS 2N002
IC 321	759551242000	IC CHIP MAX9704 ST D-AUD AM	T 320	830100685700	SMD-TRANS.BC 857 C
IC 323	759550970700	IC CHIP AT24C32AN-10SI-2.7	T 321	830100685700	SMD-TRANS.BC 857 C
IC 324	759551321900	VCT4993R-XM QFP ITU656 IC-C	T 322	830100484800	SMD TRANS BC848B/ BC847B P
IC 325	759551268600	IC-CHIP MM74HC4052D SO16	T 323	759550973400	TRANS 2N002
IC 326	759551268600	IC-CHIP MM74HC4052D SO16	TU 301	759551269100	TUNER ENV57K23G3F
IC 327	831900696700	OFWFL X6966M100 SIE	X 300	759880293900	QUARZ 12,0 MHZ 30PF HC49/U4
IC 328	759551322000	K6R4008V1D-U10 44-TSOP2 4M	X 301	759880544700	QUARZ 14.31818 MHZ
IC 329	759551322100	M29W040B90N6 IC-CHIP	X 302	759551269200	QUARZ 20.250 MHZ SMU-13-30/
IC 334	759551268900	IC-CHIP MST6181LDA-LF LQFP			
IC 335	759551268800	IC-CHIP HY5DU28322BFP-33 F			
IC 337	759550971100	IC CHIP KF25BDT	Y 301	759880544700	QUARZ 14.31818 MHZ
IC 338	759551269000	IC-CHIP TDA7053AT SO16 0.5W			
L 107	759872527500	SPULE 10UH+-20% 5152324			
L 300	759875814200	CHIP SPULE 1.2 UH			
L 326	759551199500	SPULE 3.3 UH 2.9A			
L 334	759551199500	SPULE 3.3 UH 2.9A			
L 359	759550975200	SPULE 10 UH			
L 360	759550975200	SPULE 10 UH			
L 367	759550541900	SMD SPULE 1UH K0805			

Es gelten die Vorschriften und Sicherheitshinweise gemäß dem Service Manual "Sicherheit", Mat.-Nummer 720108000001, sowie zusätzlich die eventuell abweichenden, landesspezifischen Vorschriften!



The regulations and safety instructions shall be valid as provided by the "Safety" Service Manual, part number 720108000001, as well as the respective national deviations.

ÄNDERUNGEN VORBEHALTEN / SUBJECT TO ALTERATION

Ersatzteilliste
Spare Parts List

NUR FÜR INTERNEN GEBRAUCH
FOR INTERNAL USE ONLY



11 / 2006

LP-CHASSISMODUL LM
CHASSISBOARD LM

MATERIAL-NR. / PART NO.: 275990187200

POS. NR. POS. NO.	ABB. FIG.	MATERIAL-NR. PART NUMBER	ANZ. QTY.	BEZEICHNUNG DESCRIPTION (GB)
----------------------	--------------	-----------------------------	--------------	------------------------------------

275990187200 LP-CHASSISMODUL LM CHASSISBOARD LM

POS. NR. POS. NO.	MATERIAL-NR. PART NUMBER	BEZEICHNUNG DESCRIPTION	POS. NR. POS. NO.	MATERIAL-NR. PART NUMBER	BEZEICHNUNG DESCRIPTION
D 300	759551098600	DIODE STPS340U	L 360	759550975200	SPULE 10 UH
D 303	759551098600	DIODE STPS340U	L 367	759550541900	SMD SPULE 1UH K0805
D 305	759551241900	DIODE CHIP IMBD4148			
D 314	759530510400	DIODE BAV 99	S 311	759551057900	KOPFHOERERBUCHSE YKB21-5103
D 315	759530510400	DIODE BAV 99	S 313	759550922900	EURO AV BUCHSE
D 316	759530510400	DIODE BAV 99	S 314	759550922900	EURO AV BUCHSE
IC 300	759551267900	IC-CHIP NCP1117ST33T3G SOT-	T 102	830100484800	SMD TRANS BC848B/ BC847B P
IC 301	759551268000	IC-CHIP CM2021-00TR TSSOP	T 106	830100685700	SMD-TRANS.BC 857 C
IC 302	759551242700	IC MP1593DN-LF-Z DC-DC	T 300	759550968600	TRANS FDS9933A
IC 306	759551114600	IC NCP1117DT18RK	T 303	759550973400	TRANS 2N002
IC 307	759551060700	IC NCP1117DTARK (DPAK)	T 305	830100484800	SMD TRANS BC848B/ BC847B P
IC 308	759551114600	IC NCP1117DTARK (DPAK)	T 306	759550973400	TRANS 2N002
IC 309	759551268100	IC-CHIP TVP5150AM1PBSRG4 PQ	T 307	830100484800	SMD TRANS BC848B/ BC847B P
IC 310	759551268200	IC-CHIP MAX810STRG SOT23 RE	T 308	830100484800	SMD TRANS BC848B/ BC847B P
IC 311	759551268300	IC-CHIP MTV512GMV64 PLCC 80	T 310	830100484800	SMD TRANS BC848B/ BC847B P
IC 312	830544043100	IC TL431CLPRP MOT AV330 ER-	T 311	830100484800	SMD TRANS BC848B/ BC847B P
IC 314	759550542200	SMD IC M24C08N SC2.7	T 312	830100484800	SMD TRANS BC848B/ BC847B P
IC 315	759550542200	SMD IC M24C08N SC2.7	T 314	830100484800	SMD TRANS BC848B/ BC847B P
IC 317	759551268400	IC-CHIP CS4334-KSZR SO8	T 315	830100484800	SMD TRANS BC848B/ BC847B P
IC 319	759551268500	IC-CHIP 74HC4052D SO16	T 317	830100484800	SMD TRANS BC848B/ BC847B P
IC 320	759551268500	IC-CHIP 74HC4052D SO16	T 318	830100484800	SMD TRANS BC848B/ BC847B P
IC 321	759551242000	IC CHIP MAX9704 ST D-AUD AM	T 319	759550973400	TRANS 2N002
IC 323	759550970700	IC CHIP AT24C32AN-10SI-2.7	T 320	830100685700	SMD-TRANS.BC 857 C
IC 324	759551321900	VCT4993R-XM QFP ITU656 IC-C	T 321	830100685700	SMD-TRANS.BC 857 C
IC 325	759551268600	IC-CHIP MM74HC4052D SO16	T 322	830100484800	SMD TRANS BC848B/ BC847B P
IC 326	759551268600	IC-CHIP MM74HC4052D SO16	T 323	759550973400	TRANS 2N002
IC 327	831900696700	OFWFL X6966M100 SIE	TU 301	759551269100	TUNER PANASONIC ENV57K23G3F
IC 328	759551322000	K6R4008V1D-U10 44-TSOP2 4M			
IC 329	759551322100	M29W040B90N6 IC-CHIP	X 300	759880293900	QUARZ 12,0 MHZ 30PF HC49/U4
IC 334	759551268900	IC-CHIP MST6181LDA-LF LQFP	X 301	759880544700	QUARZ 14.31818 MHZ
IC 335	759551268800	IC-CHIP HY5DU28322BFP-33 F	X 302	759551269200	QUARZ 20.250 MHZ SMU-13-30/
IC 337	759550971100	IC CHIP KF25BDT			
IC 338	759551269000	IC-CHIP TDA7053AT SO16 0.5W	Y 301	759880544700	QUARZ 14.31818 MHZ
L 107	759872527500	SPULE 10UH+-20% 5152324			
L 300	759875814200	CHIP SPULE 1.2 UH			
L 326	759551199500	SPULE 3.3 UH 2.9A			
L 330	759551199500	SPULE 3.3 UH 2.9A			
L 334	759551199500	SPULE 3.3 UH 2.9A			
L 359	759550975200	SPULE 10 UH			

Es gelten die Vorschriften und Sicherheitshinweise gemäß dem Service Manual "Sicherheit", Mat.-Nummer 720108000001, sowie zusätzlich die eventuell abweichenden, landesspezifischen Vorschriften!



The regulations and safety instructions shall be valid as provided by the "Safety" Service Manual, part number 720108000001, as well as the respective national deviations.

ÄNDERUNGEN VORBEHALTEN / SUBJECT TO ALTERATION

Ersatzteilliste
Spare Parts List

NUR FÜR INTERNEN GEBRAUCH
FOR INTERNAL USE ONLY



4 / 2007

LP-CHASSISMODUL LM
CHASSISBOARD LM

MATERIAL-NR. / PART NO.: 275990192800

POS. NR. POS. NO.	ABB. FIG.	MATERIAL-NR. PART NUMBER	ANZ. QTY.	BEZEICHNUNG DESCRIPTION (GB)
----------------------	--------------	-----------------------------	--------------	------------------------------------

275990192800 LP-CHASSISMODUL LM

CHASSISBOARD LM

POS. NR. POS. NO.	MATERIAL-NR. PART NUMBER	BEZEICHNUNG DESCRIPTION	POS. NR. POS. NO.	MATERIAL-NR. PART NUMBER	BEZEICHNUNG DESCRIPTION
D 300	759551098600	DIODE STPS340U	S 311	759551057900	KOPFHOERERBUCHSE YKB21-5103
D 305	759551241900	DIODE CHIP IMBD4148	S 313	759550922900	EURO AV BUCHSE
D 314	759530510400	DIODE BAV 99	S 314	759550922900	EURO AV BUCHSE
D 315	759530510400	DIODE BAV 99	T 102	830100484800	SMD TRANS BC848B/ BC847B P
D 316	759530510400	DIODE BAV 99	T 106	830100685700	SMD-TRANS.BC 857 C
IC 300	759551267900	IC-CHIP NCP1117ST33T3G SOT-	T 300	759550968600	TRANS FDS9933A
IC 301	759551268000	IC-CHIP CM2021-00TR TSSOP	T 303	759550973400	TRANS 2N002
IC 302	759551242700	IC MP1593DN-LF-Z DC-DC	T 305	830100484800	SMD TRANS BC848B/ BC847B P
IC 303	759551060700	IC NCP1117DTARK (DPAK)	T 306	759550973400	TRANS 2N002
IC 306	759551146000	IC NCP1117DT18RK	T 307	830100484800	SMD TRANS BC848B/ BC847B P
IC 307	759551060700	IC NCP1117DTARK (DPAK)	T 308	830100484800	SMD TRANS BC848B/ BC847B P
IC 308	759551060700	IC NCP1117DTARK (DPAK)	T 310	830100484800	SMD TRANS BC848B/ BC847B P
IC 309	759551268100	IC-CHIP TVP5150AM1PBSRG4 PQ	T 311	830100484800	SMD TRANS BC848B/ BC847B P
IC 310	759551268200	IC-CHIP MAX810STRG SOT23 RE	T 312	830100484800	SMD TRANS BC848B/ BC847B P
IC 311	759551268300	IC-CHIP MTV512GMV64 PLCC 80	T 314	830100484800	SMD TRANS BC848B/ BC847B P
IC 312	830544043100	IC TL431CLPRP MOT AV330 ER-	T 315	830100484800	SMD TRANS BC848B/ BC847B P
IC 314	759550542200	SMD IC M24C08N SC2.7	T 317	830100484800	SMD TRANS BC848B/ BC847B P
IC 315	759550542200	SMD IC M24C08N SC2.7	T 318	830100484800	SMD TRANS BC848B/ BC847B P
IC 317	759551268400	IC-CHIP CS4334-KSZR SO8	T 319	759550973400	TRANS 2N002
IC 319	759551268500	IC-CHIP 74HC4052D SO16	T 320	830100685700	SMD-TRANS.BC 857 C
IC 320	759551268500	IC-CHIP 74HC4052D SO16	T 321	830100685700	SMD-TRANS.BC 857 C
IC 321	759551242000	IC CHIP MAX9704 ST D-AUD AM	T 322	830100484800	SMD TRANS BC848B/ BC847B P
IC 323	759550970700	IC CHIP AT24C32AN-10SI-2.7	T 323	759550973400	TRANS 2N002
IC 324	759551321900	VCT4997R-XM QFP ITU656 IC-C	TU 301	759551269100	TUNER PANASONIC ENV57K23G3F
IC 325	759551268600	IC-CHIP MM74HC4052D SO16	X 300	759880293900	QUARZ 12,0 MHZ 30PF HC49/U4
IC 326	759551268600	IC-CHIP MM74HC4052D SO16	X 301	759880544700	QUARZ 14.31818 MHZ
IC 327	831900696700	OFWFL X6966M100 SIE	X 302	759551269200	QUARZ 20.250 MHZ SMU-13-30/
IC 328	759551322000	K6R4008V1D-UI10 44-TSOP2 4M	Y 301	759880544700	QUARZ 14.31818 MHZ
IC 329	759551322100	M29W040B90N6 IC-CHIP			
IC 334	759551268900	IC-CHIP MST6181LDA-LF LQFP			
IC 335	759551268800	IC-CHIP HY5DU283222BFP-33 F			
IC 337	759550971100	IC CHIP KF25BDT			
IC 338	759551269000	IC-CHIP TDA7053AT SO16 0.5W			
L 107	759872527500	SPULE 10UH+20% 5152324			
L 300	759875814200	CHIP SPULE 1.2 UH			
L 326	759551199500	SPULE 3.3 UH 2.9A			
L 334	759551199500	SPULE 3.3 UH 2.9A			
L 359	759550975200	SPULE 10 UH			
L 360	759550975200	SPULE 10 UH			
L 367	759550541900	SMD SPULE 1UH K0805			

Es gelten die Vorschriften und Sicherheitshinweise gemäß dem Service Manual "Sicherheit", Mat.-Nummer 720108000001, sowie zusätzlich die eventuell abweichenden, landesspezifischen Vorschriften!



The regulations and safety instructions shall be valid as provided by the "Safety" Service Manual, part number 720108000001, as well as the respective national deviations.

ÄNDERUNGEN VORBEHALTEN / SUBJECT TO ALTERATION

Ersatzteilliste
Spare Parts List

NUR FÜR INTERNEN GEBRAUCH
FOR INTERNAL USE ONLY



4 / 2007

LP-CHASSISMODUL LM
CHASSISBOARD LM

MATERIAL-NR. / PART NO.: 275990192900

POS. NR. POS. NO.	ABB. FIG.	MATERIAL-NR. PART NUMBER	ANZ. QTY.	BEZEICHNUNG DESCRIPTION (GB)
----------------------	--------------	-----------------------------	--------------	------------------------------------

275990192900 LP-CHASSISMODUL LM

CHASSISBOARD LM

POS. NR. POS. NO.	MATERIAL-NR. PART NUMBER	BEZEICHNUNG DESCRIPTION	POS. NR. POS. NO.	MATERIAL-NR. PART NUMBER	BEZEICHNUNG DESCRIPTION
D 300	759551098600	DIODE STPS340U	L 360	759550975200	SPULE 10 UH
D 303	759551098600	DIODE STPS340U	L 367	759550541900	SMD SPULE 1UH K0805
D 305	759551241900	DIODE CHIP IMBD4148	S 311	759551057900	KOPFHOERERBUCHSE YKB21-5103
D 314	759530510400	DIODE BAV 99	S 313	759550922900	EURO AV BUCHSE
D 315	759530510400	DIODE BAV 99	S 314	759550922900	EURO AV BUCHSE
D 316	759530510400	DIODE BAV 99	T 102	830100484800	SMD TRANS BC848B/ BC847B P
IC 300	759551267900	IC-CHIP NCP1117ST33T3G SOT-	T 106	830100685700	SMD-TRANS.BC 857 C
IC 301	759551268000	IC-CHIP CM2021-00TR TSSOP	T 300	759550968600	TRANS FDS9933A
IC 302	759551242700	IC MP1593DN-LF-Z DC-DC	T 303	759550973400	TRANS 2N002
IC 303	759551060700	IC NCP1117DTARK (DPAK)	T 305	830100484800	SMD TRANS BC848B/ BC847B P
IC 304	759551242700	IC MP1593DN-LF-Z DC-DC	T 306	759550973400	TRANS 2N002
IC 306	759551146000	IC NCP1117DT18RK	T 307	830100484800	SMD TRANS BC848B/ BC847B P
IC 307	759551060700	IC NCP1117DTARK (DPAK)	T 308	830100484800	SMD TRANS BC848B/ BC847B P
IC 308	759551060700	IC NCP1117DTARK (DPAK)	T 309	830100484800	SMD TRANS BC848B/ BC847B P
IC 309	759551268100	IC-CHIP TVP5150AM1PBSRG4 PQ	T 310	830100484800	SMD TRANS BC848B/ BC847B P
IC 310	759551268200	IC-CHIP MAX810STRG SOT23 RE	T 311	830100484800	SMD TRANS BC848B/ BC847B P
IC 311	759551268300	IC-CHIP MTV512GMV64 PLCC 80	T 312	830100484800	SMD TRANS BC848B/ BC847B P
IC 312	830544043100	IC TL431CLPRP MOT AV330 ER-	T 314	830100484800	SMD TRANS BC848B/ BC847B P
IC 314	759550542200	SMD IC M24C08N SC2.7	T 315	830100484800	SMD TRANS BC848B/ BC847B P
IC 315	759550542200	SMD IC M24C08N SC2.7	T 317	830100484800	SMD TRANS BC848B/ BC847B P
IC 317	759551268400	IC-CHIP CS4334-KSZR SO8	T 318	830100484800	SMD TRANS BC848B/ BC847B P
IC 319	759551268500	IC-CHIP 74HC4052D SO16	T 319	759550973400	TRANS 2N002
IC 320	759551268500	IC-CHIP 74HC4052D SO16	T 320	830100685700	SMD-TRANS.BC 857 C
IC 321	759551242000	IC CHIP MAX9704 ST D-AUD AM	T 321	830100685700	SMD-TRANS.BC 857 C
IC 323	759550970700	IC CHIP AT24C32AN-10SI-2.7	T 322	830100484800	SMD TRANS BC848B/ BC847B P
IC 324	759551321900	VCT4997R-XM QFP ITU656 IC-C	T 323	759550973400	TRANS 2N002
IC 325	759551268600	IC-CHIP MM74HC4052D SO16	TU 301	759551269100	TUNER PANASONIC ENV57K23G3F
IC 326	759551268600	IC-CHIP MM74HC4052D SO16	X 300	759880293900	QUARZ 12,0 MHZ 30PF HC49/U4
IC 327	831900696700	OFWFL X6966M100 SIE	X 301	759880544700	QUARZ 14.31818 MHZ
IC 328	759551322000	K6R4008V1D-UI10 44-TSOP2 4M	X 302	759551269200	QUARZ 20.250 MHZ SMU-13-30/
IC 329	759551322100	M29W040B90N6 IC-CHIP	Y 301	759880544700	QUARZ 14.31818 MHZ
IC 334	759551268900	IC-CHIP MST6181LDA-LF LQFP			
IC 335	759551268800	IC-CHIP HY5DU283222BFP-33 F			
IC 337	759550971100	IC CHIP KF25BDT			
IC 338	759551269000	IC-CHIP TDA7053AT SO16 0.5W			
L 107	759872527500	SPULE 10UH+20% 5152324			
L 300	759875814200	CHIP SPULE 1.2 UH			
L 326	759551199500	SPULE 3.3 UH 2.9A			
L 334	759551199500	SPULE 3.3 UH 2.9A			
L 330	759551199500	SPULE 3.3 UH 2.9A			
L 334	759551199500	SPULE 3.3 UH 2.9A			
L 359	759550975200	SPULE 10 UH			

Es gelten die Vorschriften und Sicherheitshinweise gemäß dem Service Manual "Sicherheit", Mat.-Nummer 720108000001, sowie zusätzlich die eventuell abweichenden, landesspezifischen Vorschriften!



The regulations and safety instructions shall be valid as provided by the "Safety" Service Manual, part number 720108000001, as well as the respective national deviations.

ÄNDERUNGEN VORBEHALTEN / SUBJECT TO ALTERATION

Ersatzteilliste Spare Parts List

**NUR FÜR INTERNEN GEBRAUCH
FOR INTERNAL USE ONLY**

5 / 2007

LP-CHASSISMODUL LM CHASSISBOARD LM

MATERIAL-NR. / PART NO.: 275990198800

POS. NR. POS. NO.	ABB. FIG.	MATERIAL-NR. PART NUMBER	ANZ. QTY.	BEZEICHNUNG D	DESCRIPTION GB
		275990198800		LP-CHASSISMODUL LM	CHASSISBOARD LM

POS. NR. POS. NO.	MATERIAL-NR. PART NUMBER	BEZEICHNUNG DESCRIPTION	POS. NR. POS. NO.	MATERIAL-NR. PART NUMBER	BEZEICHNUNG DESCRIPTION
D 300	759551098600	DIODE STPS340U	IC 327	831900696700	OFWFIL X6966M100 SIE
D 303	759551098600	DIODE STPS340U	IC 328	759551322000	K6R4008V1D-UI10 44-TSOP2 4M
D 305	759551241900	DIODE CHIP IMBD4148	IC 329	759551322100	M29W040B90N6 IC-CHIP
D 314	759530510400	DIODE BAV 99	IC 331	759551283500	IC FSA3357K8X
D 315	759530510400	DIODE BAV 99	IC 332	759551283500	IC FSA3357K8X
D 316	759530510400	DIODE BAV 99	IC 334	759551268900	IC-CHIP MST6181LDA-LF LQFP
IC 100	759551282600	IC-CHIP COFDM STV0361 TQFP4	IC 335	759551268800	IC-CHIP HY5DU283222BFP-33 F
IC 101	759551282700	IC-CHIP NL17SZ32DFT2 G SOT3	IC 337	759550971100	IC CHIP KF25BDT
IC 102	759551282700	IC-CHIP NL17SZ32DFT2 G SOT3	IC 338	759551269000	IC-CHIP TDA7053AT SO16 0.5W
IC 103	759551282800	IC-CHIP NL17SZ00DFT2 SOT353	L 102	759550541800	SMD SPULE 22UH 20% 0805
IC 104	759551282800	IC-CHIP NL17SZ00DFT2 SOT353	L 104	759550541800	SMD SPULE 22UH 20% 0805
IC 105	759551282800	IC-CHIP NL17SZ00DFT2 SOT353	L 105	759550541800	SMD SPULE 22UH 20% 0805
IC 106	759551282900	IC-CHIP 74LVT373MTCX TSSOP2	L 106	759550541800	SMD SPULE 22UH 20% 0805
IC 107	759551282900	IC-CHIP 74LVT373MTCX TSSOP2	L 107	759872527500	SPULE 10UH+-20% 5152324
IC 108	759551283000	IC-CHIP 74LVT245PW TSSOP20	L 300	759875814200	CHIP SPULE 1.2 UH
IC 109	759551282900	IC-CHIP 74LVT373MTCX TSSOP2	L 326	759551199500	SPULE 3.3 UH 2.9A
IC 110	759551283100	IC-CHIP STI5516AUCL MPEG DE	L 330	759551199500	SPULE 3.3 UH 2.9A
IC 111	759551283200	IC-CHIP NCP803SN293T1 RESET	L 334	759551199500	SPULE 3.3 UH 2.9A
IC 112	759551282800	IC-CHIP NL17SZ00DFT2 SOT353	L 359	759550975200	SPULE 10 UH
IC 113	759551114600	IC NCP1117DT18RK	L 360	759550975200	SPULE 10 UH
IC 114	759551051300	IC LM358 DR2 /S08	L 367	759550541900	SMD SPULE 1UH K0805
IC 116	759551283300	IC-CHIP S29AL016-M90TFI010	S 311	759551057900	KOPFHÖRERBUCHSE YKB21-5103
IC 117	759551283400	IC-CHIP MT48LC8M16A2P-7E TS	S 313	759550922900	EURO AV BUCHSE
IC 210	759551268600	IC-CHIP MM74HC4052D SO16	S 314	759550922900	EURO AV BUCHSE
IC 300	759551267900	IC-CHIP NCP1117ST33T3G SOT-	T 100	759551283600	TRANS. PMV60EN N-CHAN.30V(D
IC 301	759551268000	IC-CHIP CM2021-00TR TSSOP	T 101	759550973400	TRANS 2N002
IC 302	759551242700	IC MP1593DN-LF-Z DC-DC	T 102	830100484800	SMD TRANS BC848B/ BC847B P
IC 304	759551242700	IC MP1593DN-LF-Z DC-DC	T 106	830100685700	SMD-TRANS.BC 857 C
IC 306	759551114600	IC NCP1117DT18RK	T 108	830100484800	SMD TRANS BC848B/ BC847B P
IC 307	759551060700	IC NCP1117DTARK (DPAK)	T 300	759550968600	TRANS FDS9933A
IC 308	759551060700	IC NCP1117DTARK (DPAK)	T 303	759550973400	TRANS 2N002
IC 309	759551268100	IC-CHIP TVP5150AM1PBSRG4 PQ	T 305	830100484800	SMD TRANS BC848B/ BC847B P
IC 310	759551268200	IC-CHIP MAX810STRG SOT23 RE	T 306	759550973400	TRANS 2N002
IC 311	759551268300	IC-CHIP MTV512GMV64 PLCC 80	T 307	830100484800	SMD TRANS BC848B/ BC847B P
IC 312	830544043100	IC TL431CLPRP MOT AV330 ER-	T 308	830100484800	SMD TRANS BC848B/ BC847B P
IC 314	759550542200	SMD IC M24C08N SC2.7	T 310	830100484800	SMD TRANS BC848B/ BC847B P
IC 315	759550542200	SMD IC M24C08N SC2.7	T 311	830100484800	SMD TRANS BC848B/ BC847B P
IC 317	759551268400	IC-CHIP CS4334-KSZR S08	T 312	830100484800	SMD TRANS BC848B/ BC847B P
IC 319	759551268500	IC-CHIP 74HC4052D SO16	T 314	830100484800	SMD TRANS BC848B/ BC847B P
IC 320	759551268500	IC-CHIP 74HC4052D SO16	T 315	830100484800	SMD TRANS BC848B/ BC847B P
IC 321	759551242000	IC CHIP MAX9704 ST D-AUD AM	T 317	830100484800	SMD TRANS BC848B/ BC847B P
IC 323	759550970700	IC CHIP AT24C32AN-10SI-2.7	T 318	830100484800	SMD TRANS BC848B/ BC847B P
IC 324	759551321900	VCT4997R-XM QFP ITU656 IC-C	T 319	759550973400	TRANS 2N002
IC 325	759551268600	IC-CHIP MM74HC4052D SO16			
IC 326	759551268600	IC-CHIP MM74HC4052D SO16			

ÄNDERUNGEN VORBEHALTEN / SUBJECT TO ALTERATION

POS. NR. POS. NO.	MATERIAL-NR. PART NUMBER	BEZEICHNUNG DESCRIPTION	POS. NR. POS. NO.	MATERIAL-NR. PART NUMBER	BEZEICHNUNG DESCRIPTION
T 320	830100685700	SMD-TRANS.BC 857 C			
T 321	830100685700	SMD-TRANS.BC 857 C			
T 322	830100484800	SMD TRANS BC848B/ BC847B P			
T 323	759550973400	TRANS 2N002			
TU 100	759551283700	TUNER ENV77H20D8F			
TU 301	759551283800	TUNER ENV57DD9H6F-C1 PANASO			
X 100	759551353200	CHIP-QUARZ 27MHZ SMU4-18-10			
X 101	759551284100	QUARZ-CHIP 27 MHZ JV75B3-10			
X 102	759551283900	QUARZ 32.768 KHZ MTF32 12,5			
X 300	759880293900	QUARZ 12,0 MHZ 30PF HC49/U4			
X 301	759880544700	QUARZ 14.31818 MHZ			
X 302	759551269200	QUARZ 20.250 MHZ SMU-13-30/			
Y 301	759880544700	QUARZ 14.31818 MHZ			

Es gelten die Vorschriften und Sicherheitshinweise gemäß dem Service Manual "Sicherheit", Mat.-Nummer 720108000001, sowie zusätzlich die eventuell abweichenden, landesspezifischen Vorschriften!



The regulations and safety instructions shall be valid as provided by the "Safety" Service Manual, part number 720108000001, as well as the respective national deviations.

ÄNDERUNGEN VORBEHALTEN / SUBJECT TO ALTERATION

Ersatzteilliste Spare Parts List

**NUR FÜR INTERNEN GEBRAUCH
FOR INTERNAL USE ONLY**

5 / 2007

LP-CHASSISMODUL LM CHASSISBOARD LM

MATERIAL-NR. / PART NO.: 275990198900

POS. NR. POS. NO.	ABB. FIG.	MATERIAL-NR. PART NUMBER	ANZ. QTY.	BEZEICHNUNG D	DESCRIPTION GB
		275990198900		LP-CHASSISMODUL LM	CHASSISBOARD LM

POS. NR. POS. NO.	MATERIAL-NR. PART NUMBER	BEZEICHNUNG DESCRIPTION	POS. NR. POS. NO.	MATERIAL-NR. PART NUMBER	BEZEICHNUNG DESCRIPTION
D 300	759551098600	DIODE STPS340U	IC 327	831900696700	OFWFIL X6966M100 SIE
D 303	759551098600	DIODE STPS340U	IC 328	759551322000	K6R4008V1D-UI10 44-TSOP2 4M
D 305	759551241900	DIODE CHIP IMBD4148	IC 329	759551322100	M29W040B90N6 IC-CHIP
D 314	759530510400	DIODE BAV 99	IC 331	759551283500	IC FSA3357K8X
D 315	759530510400	DIODE BAV 99	IC 332	759551283500	IC FSA3357K8X
D 316	759530510400	DIODE BAV 99	IC 334	759551268900	IC-CHIP MST6181LDA-LF LQFP
IC 100	759551282600	IC-CHIP COFDM STV0361 TQFP4	IC 335	759551268800	IC-CHIP HY5DU283222BFP-33 F
IC 101	759551282700	IC-CHIP NL17SZ32DFT2 G SOT3	IC 337	759550971100	IC CHIP KF25BDT
IC 102	759551282700	IC-CHIP NL17SZ32DFT2 G SOT3	IC 338	759551269000	IC-CHIP TDA7053AT SO16 0.5W
IC 103	759551282800	IC-CHIP NL17SZ00DFT2 SOT353	L 102	759550541800	SMD SPULE 22UH 20% 0805
IC 104	759551282800	IC-CHIP NL17SZ00DFT2 SOT353	L 104	759550541800	SMD SPULE 22UH 20% 0805
IC 105	759551282800	IC-CHIP NL17SZ00DFT2 SOT353	L 105	759550541800	SMD SPULE 22UH 20% 0805
IC 106	759551282900	IC-CHIP 74LVT373MTCX TSSOP2	L 106	759550541800	SMD SPULE 22UH 20% 0805
IC 107	759551282900	IC-CHIP 74LVT373MTCX TSSOP2	L 107	759872527500	SPULE 10UH+-20% 5152324
IC 108	759551283000	IC-CHIP 74LVT245PW TSSOP20	L 300	759875814200	CHIP SPULE 1.2 UH
IC 109	759551282900	IC-CHIP 74LVT373MTCX TSSOP2	L 326	759551199500	SPULE 3.3 UH 2.9A
IC 110	759551283100	IC-CHIP STI5516AUCL MPEG DE	L 330	759551199500	SPULE 3.3 UH 2.9A
IC 111	759551283200	IC-CHIP NCP803SN293T1 RESET	L 334	759551199500	SPULE 3.3 UH 2.9A
IC 112	759551282800	IC-CHIP NL17SZ00DFT2 SOT353	L 359	759550975200	SPULE 10 UH
IC 113	759551114600	IC NCP1117DT18RK	L 360	759550975200	SPULE 10 UH
IC 114	759551051300	IC LM358 DR2 /S08	L 367	759550541900	SMD SPULE 1UH K0805
IC 116	759551283300	IC-CHIP S29AL016-M90TFI010	S 311	759551057900	KOPFHÖRERBUCHSE YKB21-5103
IC 117	759551283400	IC-CHIP MT48LC8M16A2P-7E TS	S 313	759550922900	EURO AV BUCHSE
IC 210	759551268600	IC-CHIP MM74HC4052D SO16	S 314	759550922900	EURO AV BUCHSE
IC 300	759551267900	IC-CHIP NCP1117ST33T3G SOT-	T 100	759551283600	TRANS. PMV60EN N-CHAN.30V(D
IC 301	759551268000	IC-CHIP CM2021-00TR TSSOP	T 101	759550973400	TRANS 2N002
IC 302	759551242700	IC MP1593DN-LF-Z DC-DC	T 102	830100484800	SMD TRANS BC848B/ BC847B P
IC 304	759551242700	IC MP1593DN-LF-Z DC-DC	T 106	830100685700	SMD-TRANS.BC 857 C
IC 306	759551114600	IC NCP1117DT18RK	T 108	830100484800	SMD TRANS BC848B/ BC847B P
IC 307	759551060700	IC NCP1117DTARK (DPAK)	T 300	759550968600	TRANS FDS9933A
IC 308	759551060700	IC NCP1117DTARK (DPAK)	T 303	759550973400	TRANS 2N002
IC 309	759551268100	IC-CHIP TVP5150AM1PBSRG4 PQ	T 305	830100484800	SMD TRANS BC848B/ BC847B P
IC 310	759551268200	IC-CHIP MAX810STRG SOT23 RE	T 306	759550973400	TRANS 2N002
IC 311	759551268300	IC-CHIP MTV512GMV64 PLCC 80	T 307	830100484800	SMD TRANS BC848B/ BC847B P
IC 312	830544043100	IC TL431CLPRP MOT AV330 ER-	T 308	830100484800	SMD TRANS BC848B/ BC847B P
IC 314	759550542200	SMD IC M24C08N SC2.7	T 310	830100484800	SMD TRANS BC848B/ BC847B P
IC 315	759550542200	SMD IC M24C08N SC2.7	T 311	830100484800	SMD TRANS BC848B/ BC847B P
IC 317	759551268400	IC-CHIP CS4334-KSZR S08	T 312	830100484800	SMD TRANS BC848B/ BC847B P
IC 319	759551268500	IC-CHIP 74HC4052D SO16	T 314	830100484800	SMD TRANS BC848B/ BC847B P
IC 320	759551268500	IC-CHIP 74HC4052D SO16	T 315	830100484800	SMD TRANS BC848B/ BC847B P
IC 321	759551242000	IC CHIP MAX9704 ST D-AUD AM	T 317	830100484800	SMD TRANS BC848B/ BC847B P
IC 323	759550970700	IC CHIP AT24C32AN-10SI-2.7	T 318	830100484800	SMD TRANS BC848B/ BC847B P
IC 324	759551321900	VCT4997R-XM QFP ITU656 IC-C	T 319	759550973400	TRANS 2N002
IC 325	759551268600	IC-CHIP MM74HC4052D SO16			
IC 326	759551268600	IC-CHIP MM74HC4052D SO16			

ÄNDERUNGEN VORBEHALTEN / SUBJECT TO ALTERATION

POS. NR. POS. NO.	MATERIAL-NR. PART NUMBER	BEZEICHNUNG DESCRIPTION	POS. NR. POS. NO.	MATERIAL-NR. PART NUMBER	BEZEICHNUNG DESCRIPTION
T 320	830100685700	SMD-TRANS.BC 857 C			
T 321	830100685700	SMD-TRANS.BC 857 C			
T 322	830100484800	SMD TRANS BC848B/ BC847B P			
T 323	759550973400	TRANS 2N002			
TU 100	759551283700	TUNER ENV77H20D8F			
TU 301	759551283800	TUNER ENV57DD9H6F-C1 PANASO			
X 100	759551353200	CHIP-QUARZ 27MHZ SMU4-18-10			
X 101	759551284100	QUARZ-CHIP 27 MHZ JV75B3-10			
X 102	759551283900	QUARZ 32.768 KHZ MTF32 12,5			
X 300	759880293900	QUARZ 12,0 MHZ 30PF HC49/U4			
X 301	759880544700	QUARZ 14.31818 MHZ			
X 302	759551269200	QUARZ 20.250 MHZ SMU-13-30			
Y 301	759880544700	QUARZ 14.31818 MHZ			

Es gelten die Vorschriften und Sicherheitshinweise gemäß dem Service Manual "Sicherheit", Mat.-Nummer 720108000001, sowie zusätzlich die eventuell abweichenden, landesspezifischen Vorschriften!



The regulations and safety instructions shall be valid as provided by the "Safety" Service Manual, part number 720108000001, as well as the respective national deviations.

ÄNDERUNGEN VORBEHALTEN / SUBJECT TO ALTERATION

Ersatzteilliste
Spare Parts List

NUR FÜR INTERNEN GEBRAUCH
FOR INTERNAL USE ONLY

TV

5 / 2007

LP-NETZTEILMODUL LM PSU 24/6 12/4 LINE
POWER SUPPLY LM PSU 24/6 12/4 LINE

MATERIAL-NR. / PART NO.: 275990301500

POS. NR. POS. NO.	ABB. FIG.	MATERIAL-NR. PART NUMBER	ANZ. QTY.	BEZEICHNUNG (D)	DESCRIPTION (GB)
	△	275990301501		LP-NETZTEILMODUL LM PSU 24/6 12/4 LINE	POWER SUPPLY LM PSU 24/6 12/4 LINE

POS. NR. POS. NO.	MATERIAL-NR. PART NUMBER	BEZEICHNUNG DESCRIPTION
----------------------	-----------------------------	----------------------------

C 900	△ 759551338200	470 NF K 305V-AC R:15 KONDE
C 905	△ 759551338200	470 NF K 305V-AC R:15 KONDE
C 906	△ 759550965300	KONDENS 220PF M 250VAC R:10
C 907	△ 759550965300	KONDENS 220PF M 250VAC R:10

FS 900	△ 759550935300	SICHERUNG T5 A / 250 V
--------	----------------	------------------------

IC 900	759551153100	IC ICE1QS01
IC 901	759551153100	IC ICE1QS01
IC 902	830544043100	IC TL431CLPRP MOT AV330 ER-
IC 903	830544043100	IC TL431CLPRP MOT AV330 ER-

L 900	△ 759551309000	2X28MH 3A LINE FILTER
L 907	△ 759550922500	COIL 40MH DTH30403H57

PH 900	△ 759550963200	OPTOKOPPLER TCET 1100/V310
PH 901	△ 759550963200	OPTOKOPPLER TCET 1100/V310

R 900	△ 759550932300	ESTR. S14K385
R 901	△ 759550933500	WIDERST. 1M 0.5W
R 923	△ 759550452600	WIDERST 4,7MOHM1/2W

T 900	759551353800	TRANS. SPP11N60C3 0.38R 600
T 901	759551089900	TRANS 2SK3562 TO220FP
T 902	759551098700	TRANS BC848BLT1G
T 903	759551098700	TRANS BC848BLT1G
T 904	759551098700	TRANS BC848BLT1G

U 900	△ 759551353700	TRAFO SMT PULSE CODE 2722.9
U 901	△ 759551353700	TRAFO SMT PULSE CODE 2722.9

ZD 900	759551098500	DIODE 18 V 5 W
ZD 902	759551168600	DIODE-CHIP BZX384-C8V2 300M
ZD 903	759551098500	DIODE 18 V 5 W

Es gelten die Vorschriften und Sicherheitshinweise gemäß dem Service Manual "Sicherheit", Mat.-Nummer 720108000001, sowie zusätzlich die eventuell abweichenden, landesspezifischen Vorschriften!



The regulations and safety instructions shall be valid as provided by the "Safety" Service Manual, part number 720108000001, as well as the respective national deviations.

ÄNDERUNGEN VORBEHALTEN / SUBJECT TO ALTERATION

Ersatzteilliste
Spare Parts List

NUR FÜR INTERNEN GEBRAUCH
FOR INTERNAL USE ONLY

TV

5 / 2007

LP-NETZTEILMODUL 24/6 12/4 2PIN V6
POWER SUPPLY 24/6 12/4 2PIN V6

MATERIAL-NR. / PART NO.: 275990302300

POS. NR. POS. NO.	ABB. FIG.	MATERIAL-NR. PART NUMBER	ANZ. QTY.	BEZEICHNUNG (D)	DESCRIPTION (GB)
	△	275990302300		LP-NETZTEILMODUL 24/6 12/4 2PIN V6	POWER SUPPLY 24/6 12/4 2PIN V6

POS. NR. POS. NO.	MATERIAL-NR. PART NUMBER	BEZEICHNUNG DESCRIPTION
----------------------	-----------------------------	----------------------------

C 900	△ 759551338200	470 NF K 305V-AC R:15 KONDE
C 901	△ 759551338200	470 NF K 305V-AC R:15 KONDE
C 905	△ 759551338200	470 NF K 305V-AC R:15 KONDE
C 906	△ 759551338300	1 NF M 250VAC Y5U R:10 KOND
C 907	△ 759551338300	1 NF M 250VAC Y5U R:10 KOND
C 946	△ 759550965300	KONDENS 220PF M 250VAC R:10
C 954	△ 759551338300	1 NF M 250VAC Y5U R:10 KOND
C 955	△ 759551338300	1 NF M 250VAC Y5U R:10 KOND

FS 900	△ 759550935300	SICHERUNG T5 A / 250 V
--------	----------------	------------------------

IC 900	759551153100	IC ICE1QS01
IC 901	759551153100	IC ICE1QS01
IC 902	830544043100	IC TL431CLPRP MOT AV330 ER-
IC 903	830544043100	IC TL431CLPRP MOT AV330 ER-

L 900	△ 759551309000	2X28MH 3A LINE FILTER
L 906	△ 759551309000	2X28MH 3A LINE FILTER
L 907	△ 759550922500	COIL 40MH DTH30403H57

PH 900	△ 759550963200	OPTOKOPPLER TCET 1100/V310
PH 901	△ 759550963200	OPTOKOPPLER TCET 1100/V310

R 900	△ 759550932300	ESTR. S14K385
R 901	△ 759551353500	WIDERST. RM 480K 5W 52MM
R 923	△ 759550452600	WIDERST 4,7MOHM1/2W

T 900	759551353800	TRANS. SPP11N60C3 0.38R 600
T 901	759551089900	TRANS 2SK3562 TO220FP
T 902	830100484800	SMD TRANS BC848B/ BC847B P
T 903	830100484800	SMD TRANS BC848B/ BC847B P
T 904	830100484800	SMD TRANS BC848B/ BC847B P

U 900	△ 759551353700	TRAFO SMT PULSE CODE 2722.9
U 901	△ 759551353600	TRAFO SMT PULSE CODE 2722.9

ZD 900	759551098500	DIODE 18 V 5 W
ZD 902	759551168600	DIODE-CHIP BZX384-C8V2 300M
ZD 903	759551098500	DIODE 18 V 5 W

Es gelten die Vorschriften und Sicherheitshinweise gemäß dem Service Manual "Sicherheit", Mat.-Nummer 720108000001, sowie zusätzlich die eventuell abweichenden, landesspezifischen Vorschriften!



The regulations and safety instructions shall be valid as provided by the "Safety" Service Manual, part number 720108000001, as well as the respective national deviations.

ÄNDERUNGEN VORBEHALTEN / SUBJECT TO ALTERATION